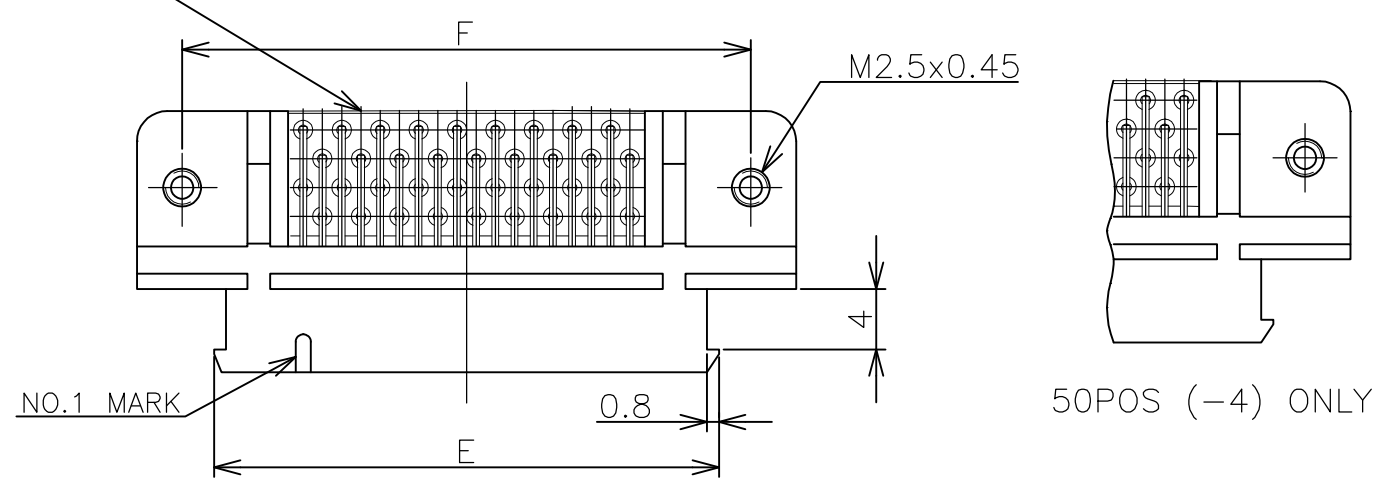


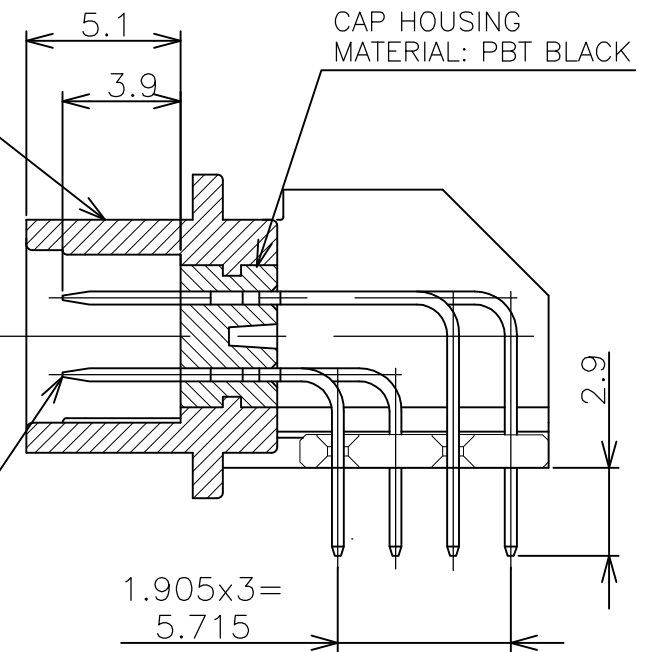
THIS DRAWING IS UNPUBLISHED. RELEASED FOR PUBLICATION FEB. 2003.
 © COPYRIGHT 2003 BY TYCO ELECTRONICS CORPORATION. ALL RIGHTS RESERVED.

LOC	DIST	REVISIONS					
		P	LTR	DESCRIPTION	DATE	DWN	APVD
J	00		B1	REVISED PER ECO-10-000445	15JAN10	KK	AEG

TINE PLATE MATERIAL : PBT (BLACK)



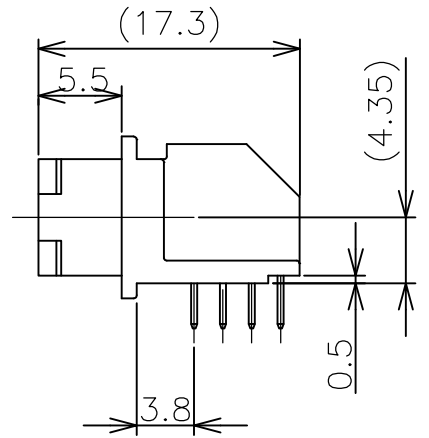
CAP SHIELD MATERIAL: ZINC FINISH: NICKEL OVER COPPER



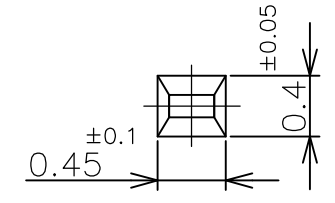
POST CONTACT MATERIAL : PHOS BRONZE FINISH : GOLD (CONTACT AREA) TIN (SOLDER TINE AREA) WITH ENTIRE CONTACT UNDER PLATED NIKKEL

(SCALE 4:1)

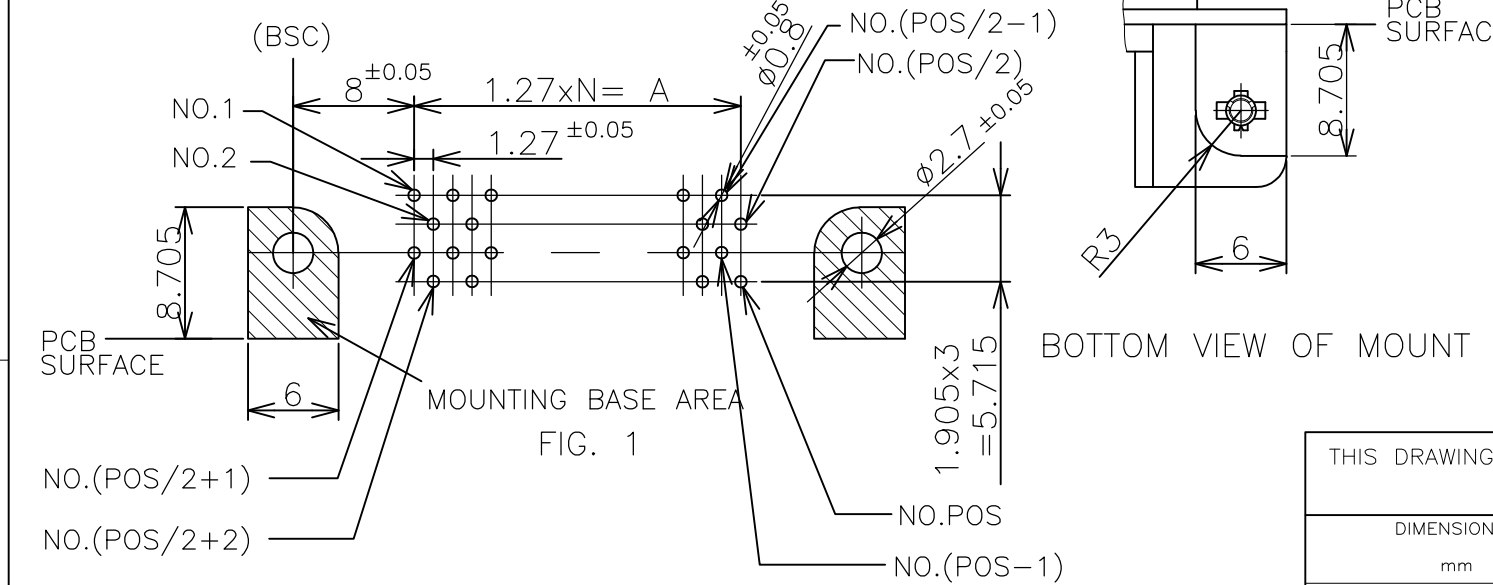
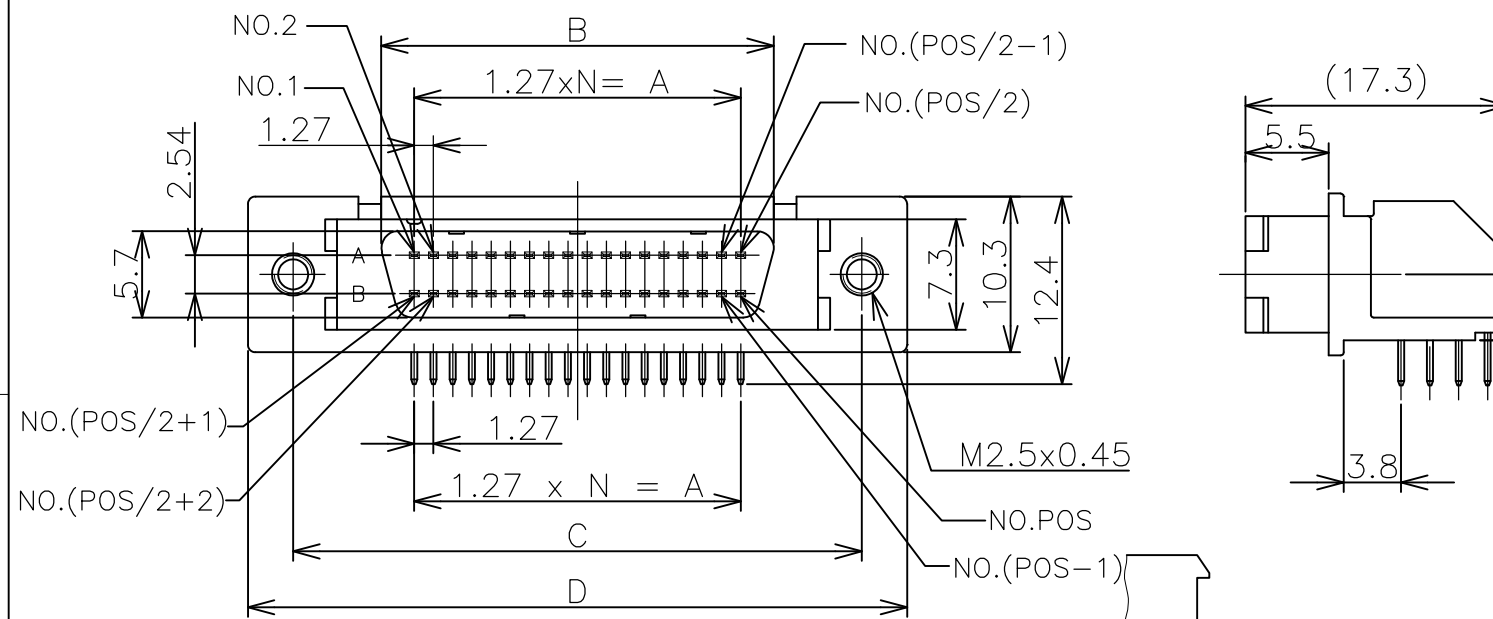
50POS (-4) ONLY



LEAD FREE



TOP OF POST (SOLDER SIDE) (SCALE 20:1)



OBS	96	47	59.69	64.06	75.7	81.7	71.49	75.7	0.00076 MIN	2-5174225-6
	68	33	41.91	46.28	57.9	63.9	53.71	57.9		
	50	24	30.48	34.85	46.5	52.5	42.28	46.5		2-5174225-4
△3	36	17	21.59	25.96	37.6	43.6	33.39	37.6		2-5174225-3
	96	47	59.69	64.06	75.7	81.7	71.49	75.7	0.0002 MIN	5174225-6
	68	33	41.91	46.28	57.9	63.9	53.71	57.9		
	50	24	30.48	34.85	46.5	52.5	42.28	46.5		5174225-4
△3	36	17	21.59	25.96	37.6	43.6	33.39	37.6		5174225-3
△3	28	13	16.51	20.88	32.5	38.5	28.31	32.5		5174225-2
	20	9	11.43	15.8	27.4	33.4	23.23	27.4		5174225-1
	POS	N	A	B	C	D	E	F	GOLD THK	PART NUMBER

- 1 P.C BOARD HOLE LAY-OUT AS SHOWN FIG. 1
- 2 USE SCREW SIZE ; M2.5 PAN-HEAD SCREW
- △3 OBSOLETE PARTS: OBSOLETE CIS STREAMLINING PER D.RENAUD/D.SINISI

THIS DRAWING IS A CONTROLLED DOCUMENT.

DWN Roy Hao 17Aug04
 CHK Steven Yao 17Aug04
 APVD I.Enomoto 17Aug04

Tyco Electronics Tyco Electronics Corporation
 Kawasaki, Japan

NAME: POST HEADER (HORIZONTAL M2.5)
 AMPLIMITE .050 SERIES 2
 TYPE B

108-60037-1

SIZE: A3 CAGE CODE: 00779 DRAWING NO: C-5174225 RESTRICTED TO: []

CUSTOMER DRAWING SCALE: 2:1 SHEET: 1 OF 1 REV: B1