

LOC		DIST		REVISONS		DATE	DWN	APVD
P	LTR	P	LTR	DESCRIPTION				
B1				REVISED ECR-07-014069		03JUL07	T.Z	S.Y

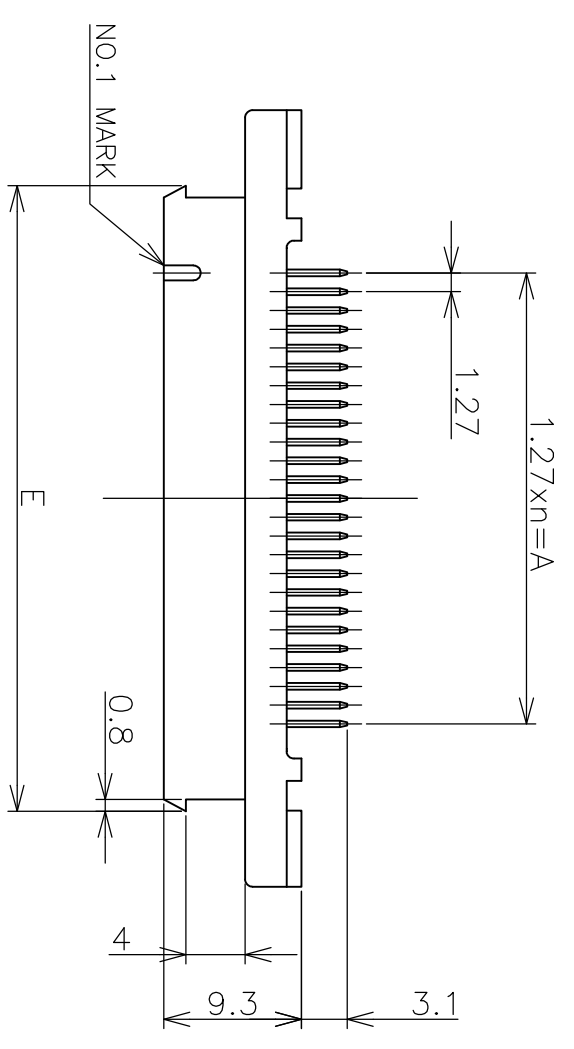


FIG. 1  
FOR 68P

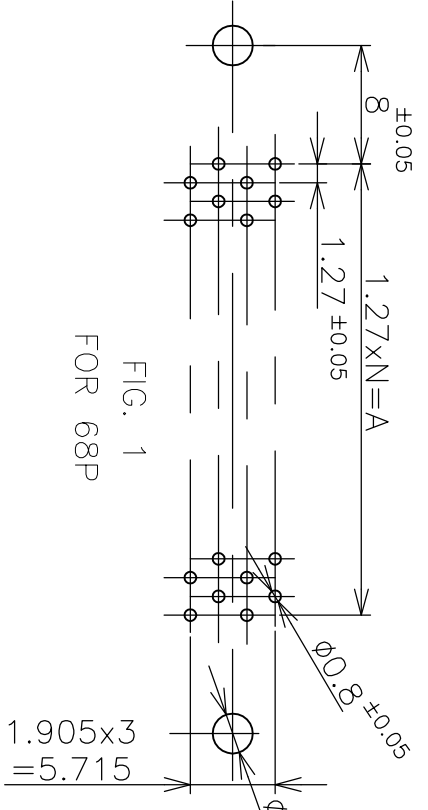
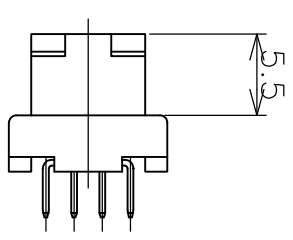
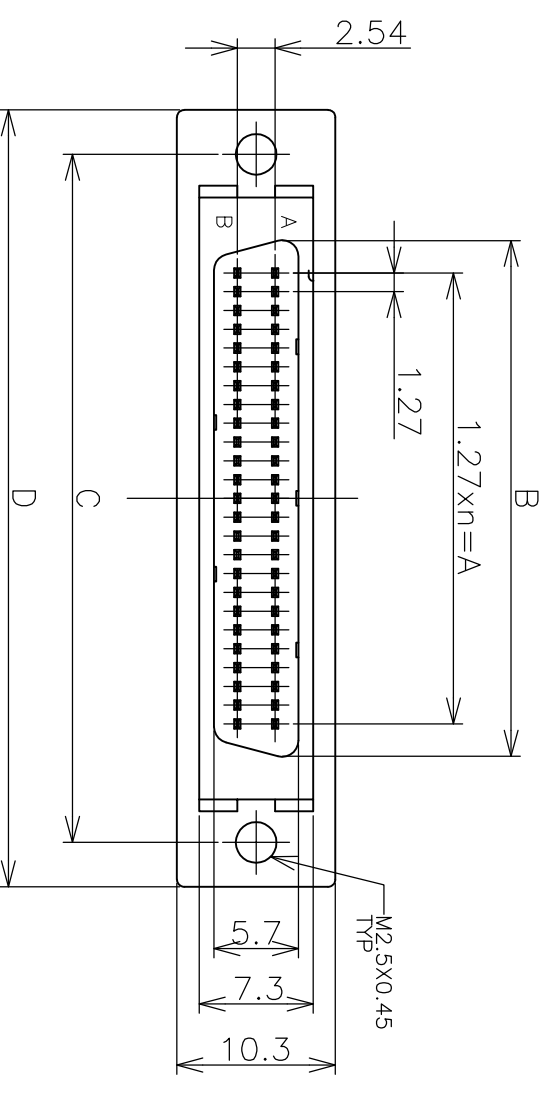
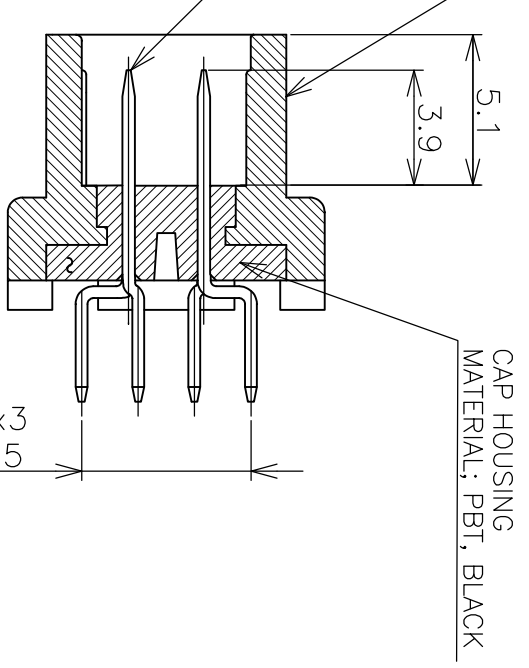


FIG. 2  
FOR 50P

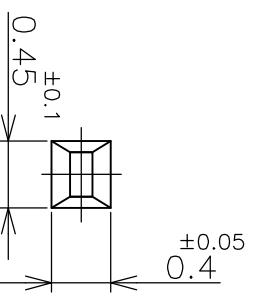


POST CONT-PHOS BRONZE  
 DUPLEX PLATED 0.0002 OR 0.00076 MIN.  
 GOLD ON CONTACT AREA  
 TIN ON SOLDER TINE AREA  
 WITH ENTIRE CONT UNDERPLATED NICKEL



(SCALE 4:1)

TOP OF POST (SOLDER SIDE)  
 (SCALE 20:1)



GENERAL TOLERANCE	10 ≥: ±0.2	30 > 10: ±0.25	100 ≥ > 30: ±0.3	ANGLES: ±3°	POS	N	A	B	C	D	E	GOLD THK	PART NO.
68	33	41.91	46.28	57.9	63.9	53.71	0.00076	2-5174339-5					
50	24	30.48	34.85	46.5	52.5	42.28	MIN	2-5174339-4					
68	33	41.91	46.28	57.9	63.9	53.71	0.0002	5174339-5					
50	24	30.48	34.85	46.5	52.5	42.28	MIN	5174339-4					

THIS DRAWING IS A CONTROLLED DOCUMENT.

DWN Roy hao 17Aug04	17Aug04	NAME <b>Tyco Electronics</b> Tyco Electronics AMP K.K. Kawasaki, Japan
CHK Steven Yao 17Aug04	17Aug04	
APVD I. Enomoto Product Spec 108-60037-1		

- 1 P.C BOARD HOLE LAY-OUT AS SHOWN FIG. 1 & 2.
- 2 USED SCREW; M2.5x0.45 PANHEAD SCREW.

DIMENSIONS: mm	TOLERANCES UNLESS OTHERWISE SPECIFIED:	0 PLC ±	1 PLC ±	2 PLC ±	3 PLC ±	4 PLC ±
MATERIAL SEE ABOVE	FINISH SEE ABOVE	APPLICATION SPEC 108-60037-1				
WEIGHT CUSTOMER DRAWING	SIZE A3	CAGE CODE 00779	DRAWING NO. 5174339	CAP HEADER (VERTICAL/M2.5) AMPLIMITE .050 SERIES II CONN. TYPE B		