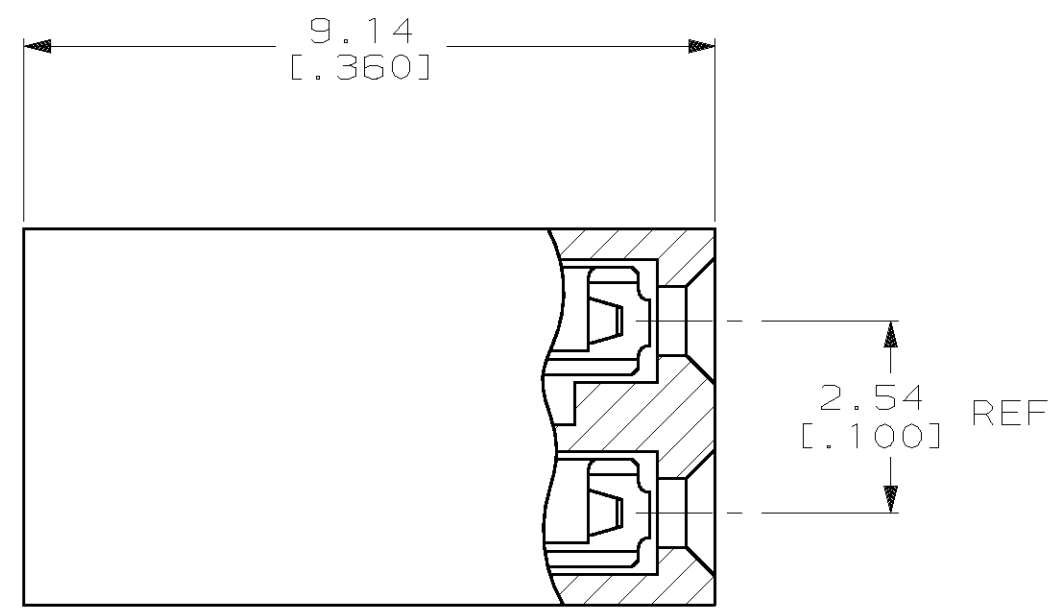
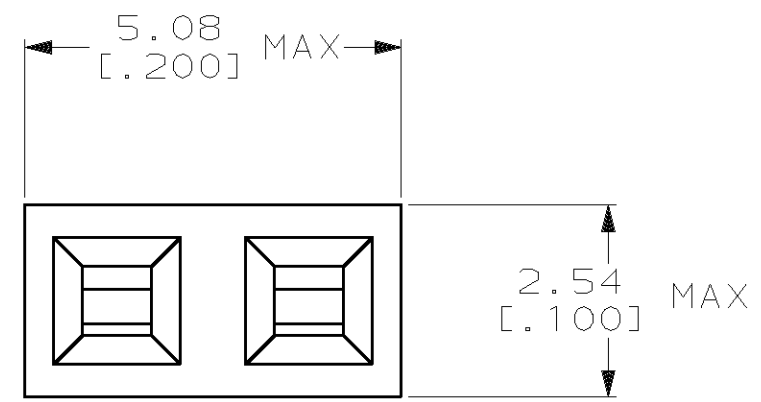
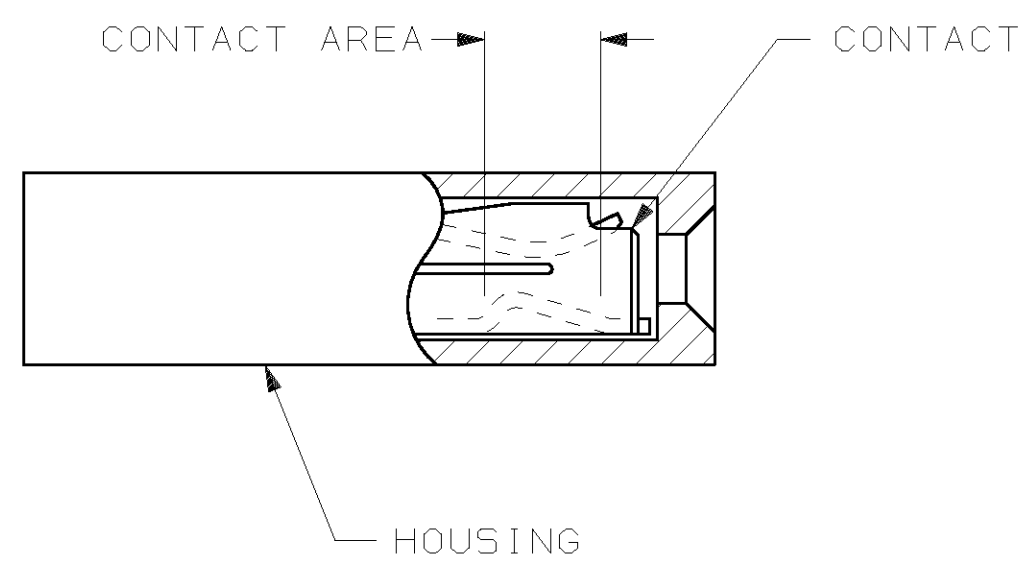


THIS DRAWING IS UNPUBLISHED. RELEASED FOR PUBLICATION ,19 .
 © COPYRIGHT 19 BY AMP INCORPORATED. ALL INTERNATIONAL RIGHTS RESERVED.

| LOC | DIST | P | F | ZONE | LTR | DESCRIPTION | DATE | APPD |
|-----|------|---|---|------|-----|------------------------|---------|------|
| AG | 53 | | | | | T REV PER 0G3C-0653-04 | 18JAN04 | MM |



- 1 MATERIAL:
HOUSING: FLAME RETARDANT NYLON, 94V-0,
OR FLAME RETARDANT POLYESTER 94V-0.
CONTACT: PHOSPHOR BRONZE.
- 2 CONTACT PLATED WITH 0.00076 [.000030] GOLD INLAY OVER
0.00076 [.000030] NICKEL IN CONTACT AREA ONLY.
- 3 CONTACT PLATED WITH 0.0013 [.000050] GOLD INLAY OVER
0.00076 [.000030] NICKEL IN CONTACT AREA ONLY.
- 4 CONTACT PLATED WITH 0.0025 [.000100] TIN OVER ALL.
- 5 CONTACT PLATED WITH 0.00038 [.000015] GOLD INLAY OVER
0.00076 [.000030] NICKEL IN CONTACT AREA ONLY.
- 6 HOUSING CUT-OFF BURR NOT EXCEED 0.13 [.005].
- 7 CONNECTOR MATES WITH 0.61 [.024] TO 0.66 [.026] SQUARE
PIN. PIN LENGTH 4.45 [.175] MIN. TO 8.38 [.330] MAX.
- 8 CONTACT PLATED WITH 0.0025 [.000100] MATTE TIN OVER ALL.



| | | FINISH | HOUSING COLOR | PART NO |
|----------|---|--------|---------------|------------|
| | 8 | | BLACK | 4-530153-1 |
| OBSOLETE | 5 | | BLACK | 3-530153-2 |
| | 4 | | BLACK | 2-530153-2 |
| OBSOLETE | 4 | | NATURAL | 2-530153-1 |
| OBSOLETE | 3 | | BLACK | 1-530153-2 |
| OBSOLETE | | | RED | 1-530153-0 |
| OBSOLETE | | | BLUE | 530153-6 |
| OBSOLETE | 2 | | YELLOW | 530153-4 |
| OBSOLETE | | | BLACK | 530153-2 |
| OBSOLETE | | | NATURAL | 530153-1 |

| | | | | |
|---|--|------------------------------|---|--------------------|
| DO NOT SCALE PRINT. UNLESS SPECIFIED DIMENSIONS IN mm [INCHES] TOLERANCES ON : 2 PLC DEC ± 0.25 [.010] 3 PLC DEC ± - ANGLES ± - | | DR 3-12-91 R.TALLEY | AMP Incorporated Harrisburg, PA 17105-3608 | |
| MATERIAL | | CHK 3-19-91 R.MILLER | | |
| FINISH SEE TABLE | | APPD 3-19-91 D.HUFFMAN | NAME TANDEM SPRING SHUNT CONNECTOR 2 POSITION, 2.54 [.100] CL | |
| | | APPD 3-19-91 M.STADDON | DRAWING NO 530153 | |
| | | PRODUCT SPEC 108-9062 | SIZE C | CAGE CODE 00779 |
| | | APPLICATION SPEC 114-1045 | SCALE 10:1 | SHEET 1 OF 1 |
| | | WEIGHT - | | |