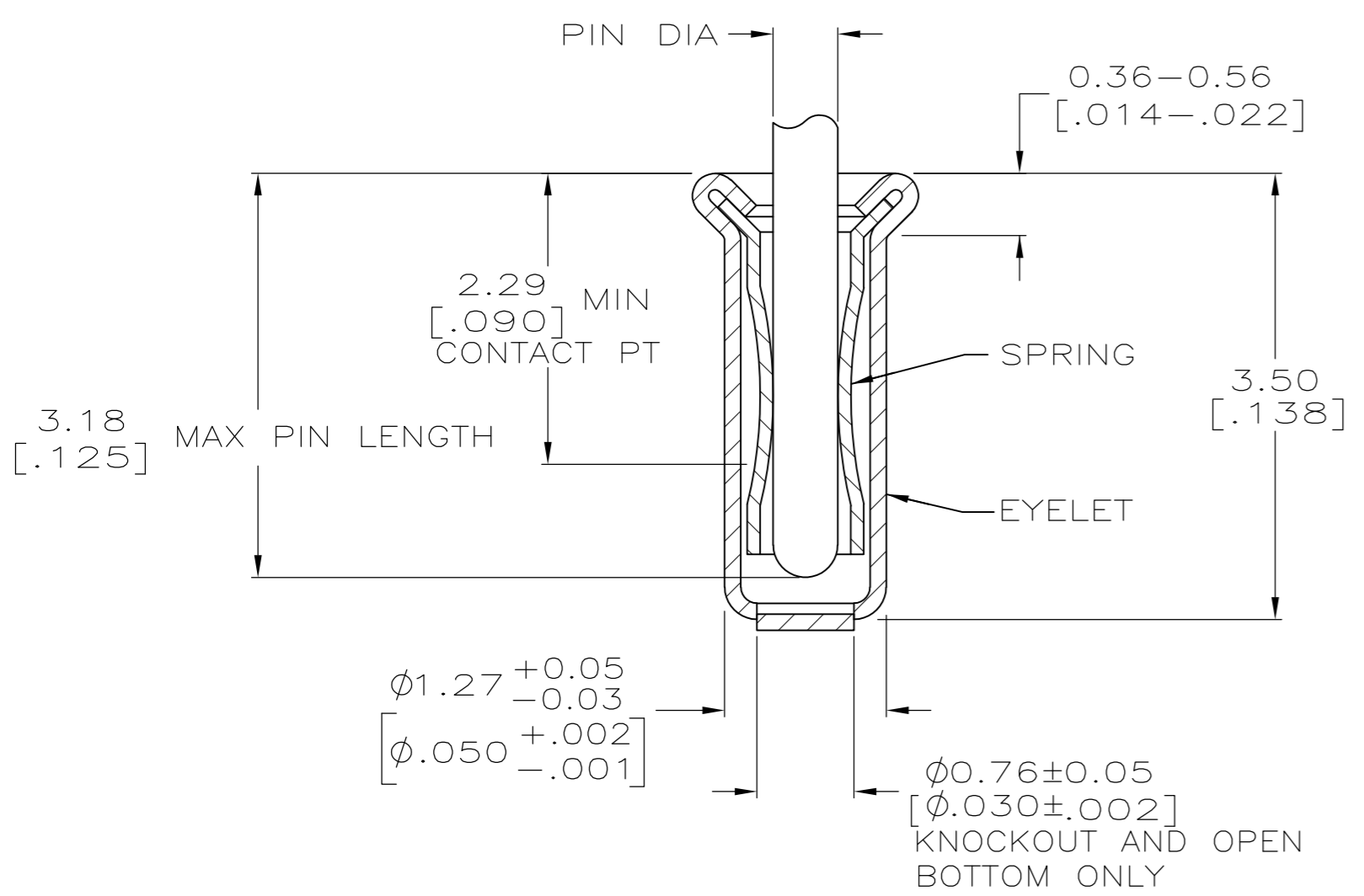
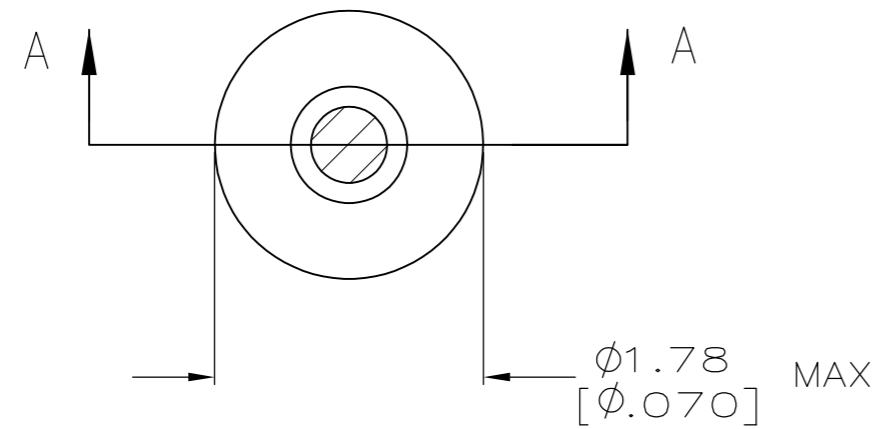


THIS DRAWING IS UNPUBLISHED. RELEASED FOR PUBLICATION
 © COPYRIGHT BY TYCO ELECTRONICS CORPORATION. ALL RIGHTS RESERVED.

LOC	DIST	REVISIONS			
P	LTR	DESCRIPTION	DATE	DWN	APVD
	0	PER EC-0S11-0022-05	20APR2005	AF	JGH
	01	REVISED PER ECO-10-000444	16JAN10	KK	AEG



SECTION A-A

- 1. TIN PLATE PER ASTM B 545 .000254 [.000100] MIN THICK.
- 2. GOLD PLATE PER ASTM B 488 0.00076 [.000030] MIN THICK OVER NICKEL PLATE PER QQ-N-290 0.00028 [.000011] MIN THICK ON CONTACT AREA.
- 3. RECOMMENDED HOLE SIZE, PLATED OR UNPLATED:
 MACHINE INSERTION: 1.32 ± 0.05 [.052 ± .002]
 HAND INSERTION: $1.32^{+0.10}_{-0.00}$ [.052 $^{+0.004}_{-0.000}$]
- 4. APPLICATION TOOL PART NUMBER:
 MACHINE NO. 682127-3
 INSERTION HEAD NO. 682039-2
- 5. TO INSURE PROPER SPRING TENSION DO NOT EXCEED A 0.05 [.002] DIFFERENCE IN PIN DIA WHEN CHANGING TO A SMALLER PIN.
- 6. BOTTOM PLUG KNOCKOUT TOOL PART NUMBER 69729 WITH TIP PART NUMBER 69728.
- 7. MATERIAL:
 SPRING: BERYLLIUM COPPER PER ASTM B 194
 EYELET: COPPER PER ASTM B 152
- 8. OBSOLETE PARTS: OBSOLETE CIS STREAMLINING PER D.RENAUD/D.SINISI

8 OBSOLETE	OPEN	0.56-0.64 [.022-.025] 0.46-0.53 [.018-.021]	TIN 1	GOLD 2	4-5331272-3 3-5331272-9 3-5331272-5
	KNOCKOUT	0.56-0.64 [.022-.025]		TIN 1	3-5331272-3
	CLOSED	0.46-0.53 [.018-.021]	TIN 1	GOLD 2	2-5331272-7
				TIN 1	2-5331272-5
	BOTTOM TYPE	RECOMMENDED PIN DIA 5	EYELET	SPRING	PART NO

THIS DRAWING IS A CONTROLLED DOCUMENT.		DWN A. FERNANDEZ-DOCK5 20APR2005	Tyco Electronics Corporation Harrisburg, PA 17105-3608	
DIMENSIONS: mm [INCHES]		CHK J. HAVENER 20APR2005	NAME MINIATURE SPRING SOCKET ASSEMBLY SERIES 2	
TOLERANCES UNLESS OTHERWISE SPECIFIED: 0 PLC ± - 1 PLC ± - 2 PLC ± - 3 PLC ± 0.20 [.008] 4 PLC ± - ANGLES ± -		APVD J. HAVENER 20APR2005	PRODUCT SPEC 108-14008	
MATERIAL 7		FINISH SEE TABLE	APPLICATION SPEC 114-13152	RESTRICTED TO
		WEIGHT -	SIZE A2	CAGE CODE 00779
		CUSTOMER DRAWING	DRAWING NO C=5331272	SCALE 20:1
			SHEET 1 of 1	REV 01

5331272