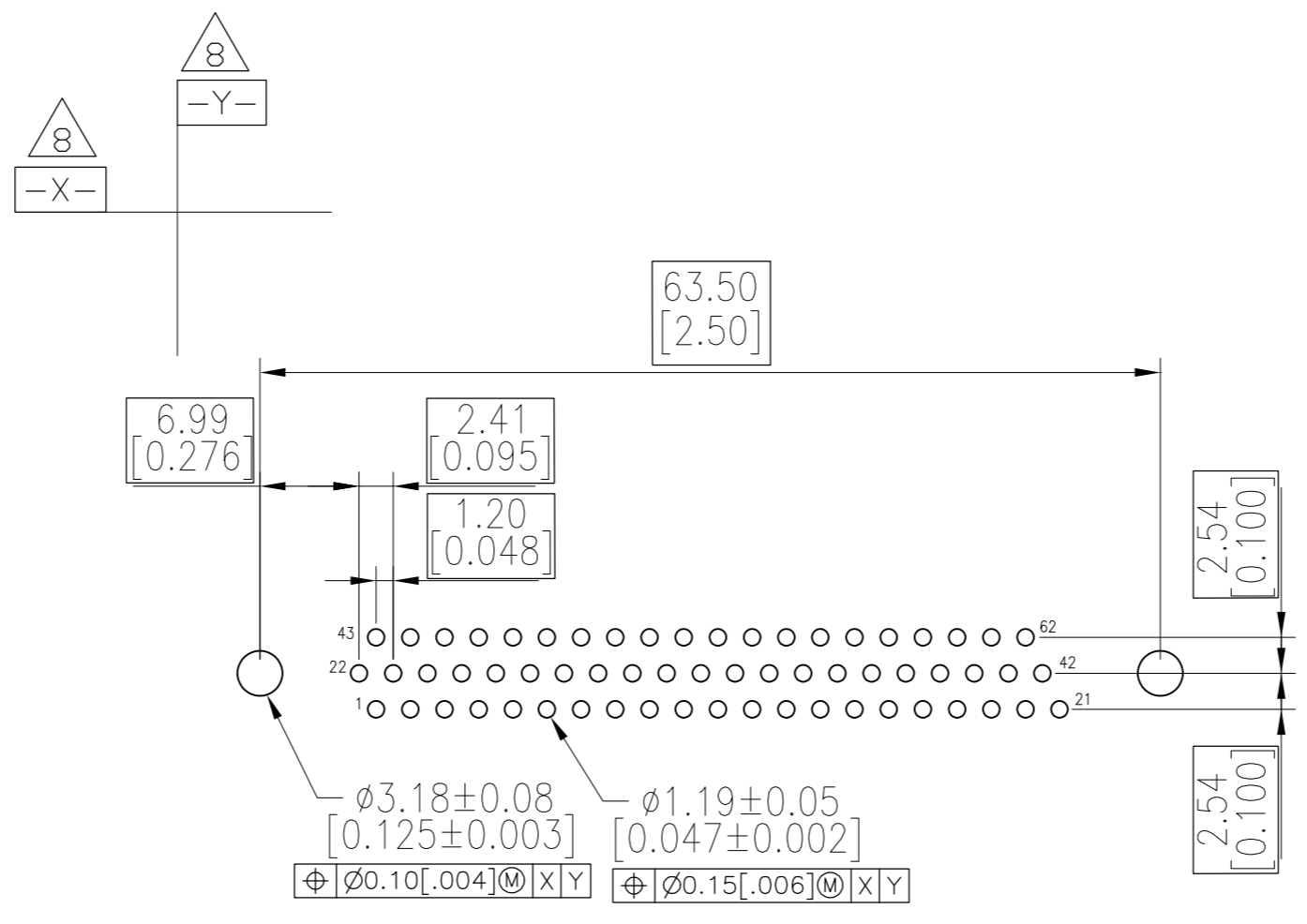
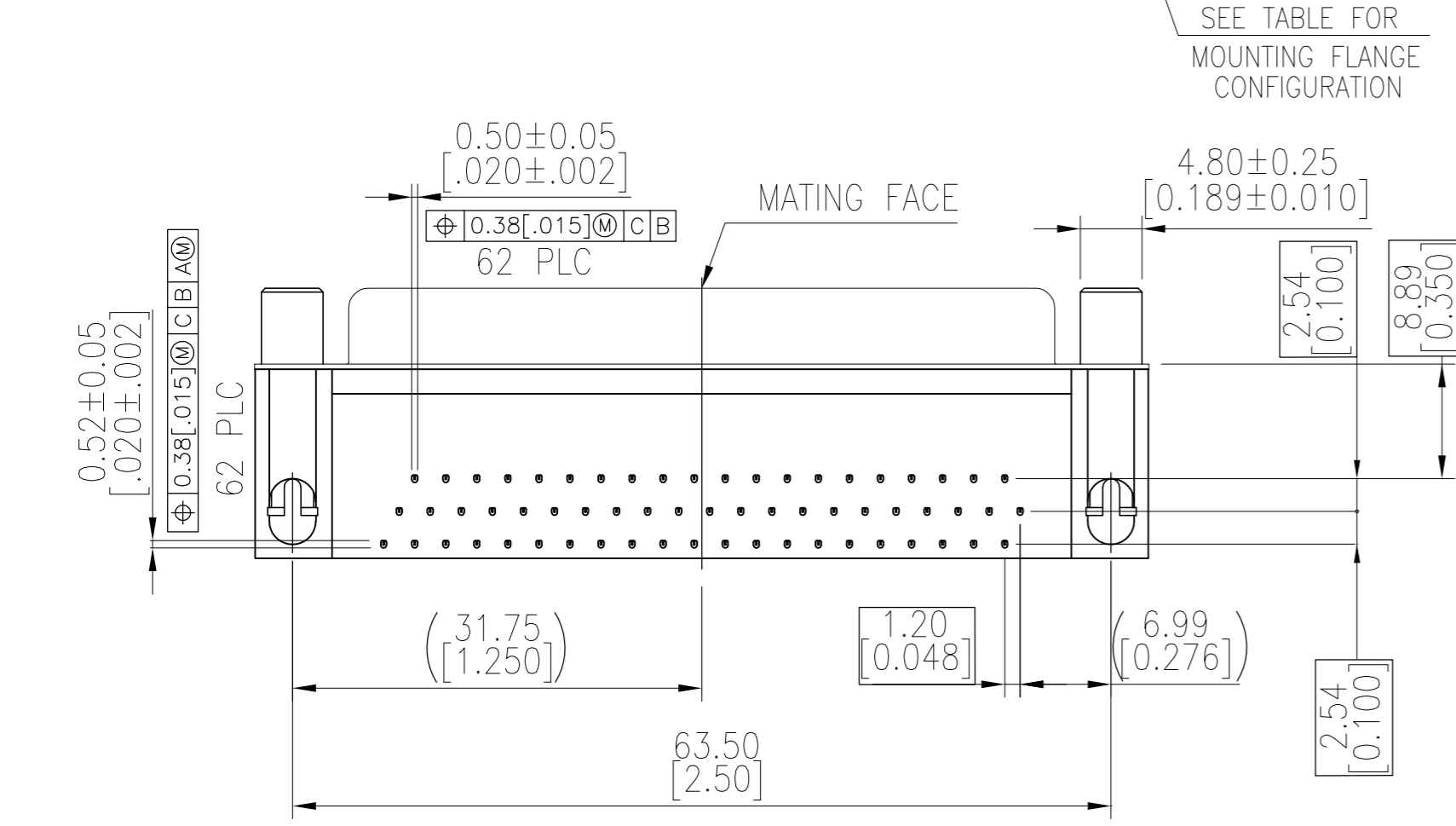
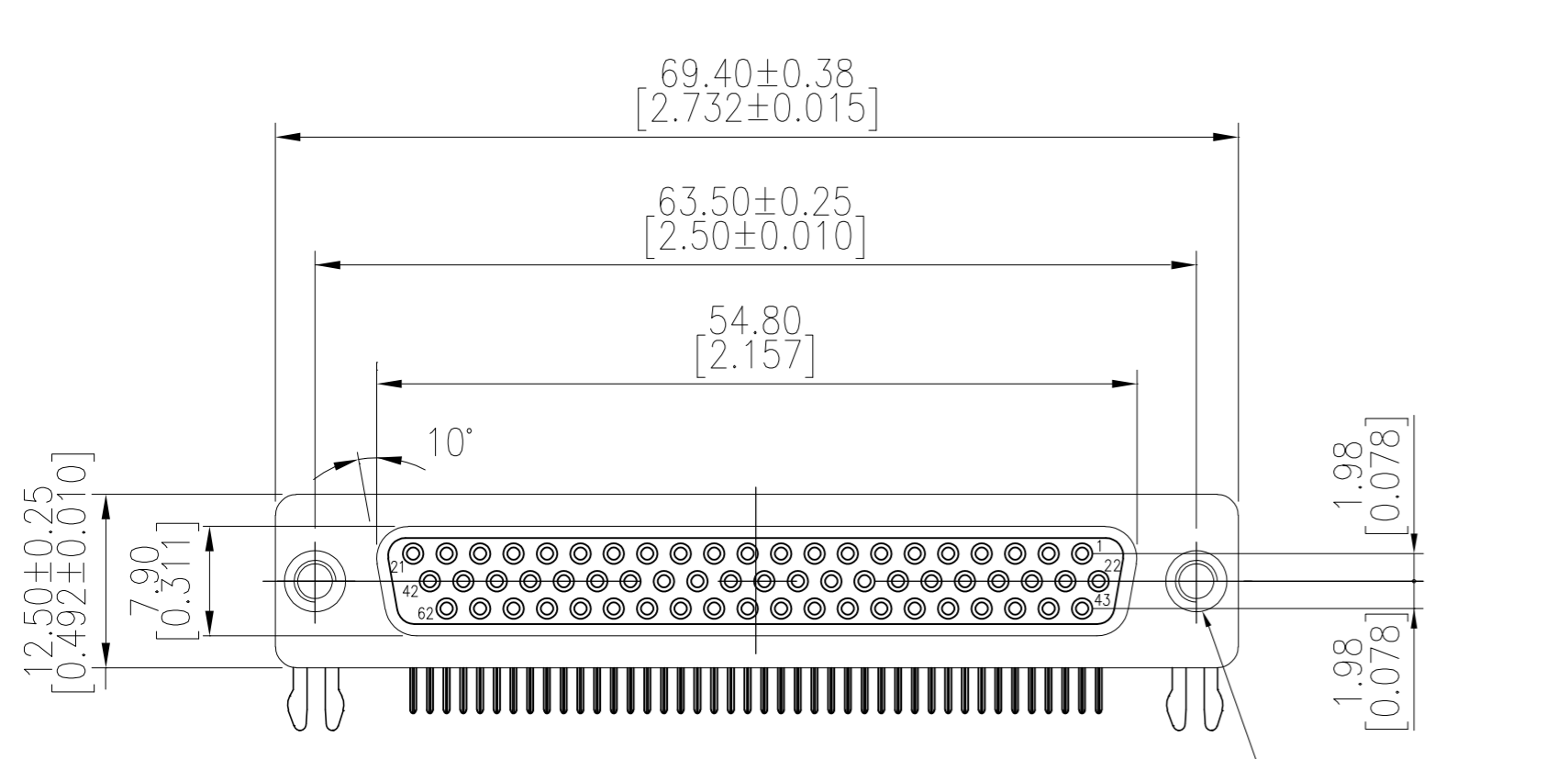
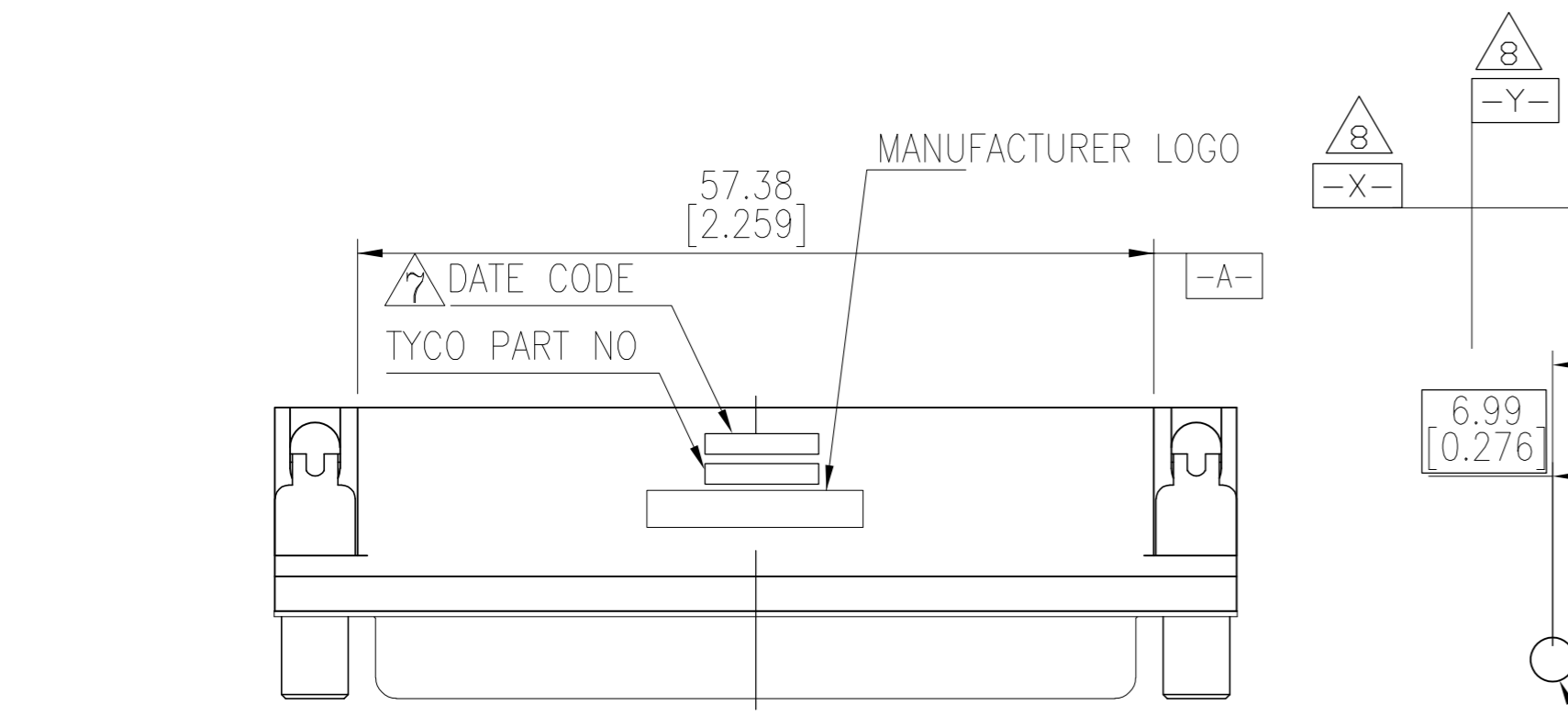


THIS DRAWING IS UNPUBLISHED. RELEASED FOR PUBLICATION  
 © COPYRIGHT BY TYCO ELECTRONICS CORPORATION. ALL RIGHTS RESERVED.

LOC	DIST	REVISIONS					
GP	00	P	LTR	DESCRIPTION	DATE	DWN	APVD
		B		REVISED PER ECO-09-005756	15APR2009	ZMR	SLB
		B1		REVISED PER ECO-10-000444	20JAN10	KK	HMR



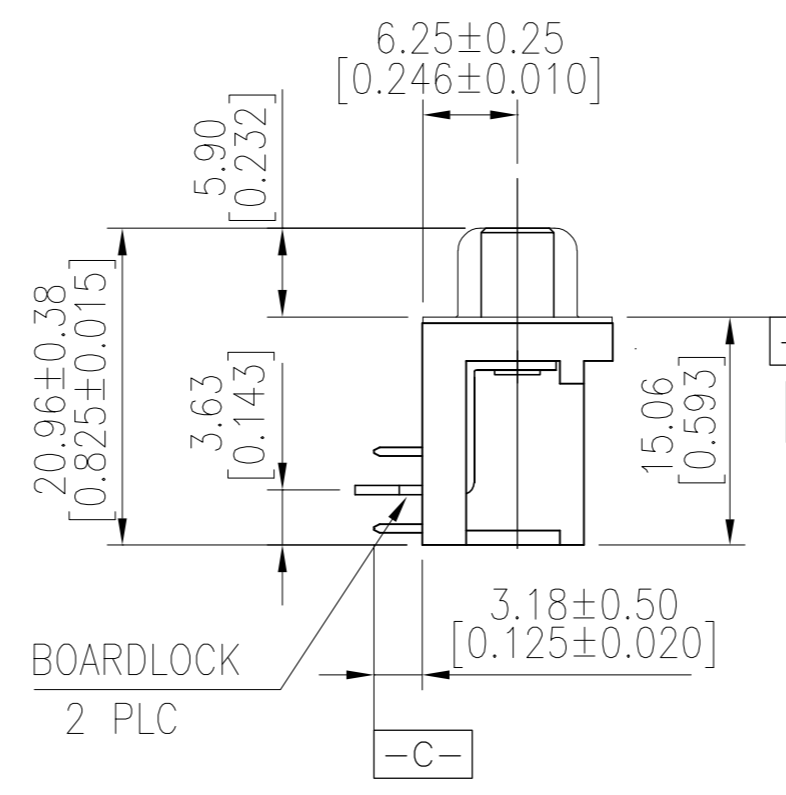
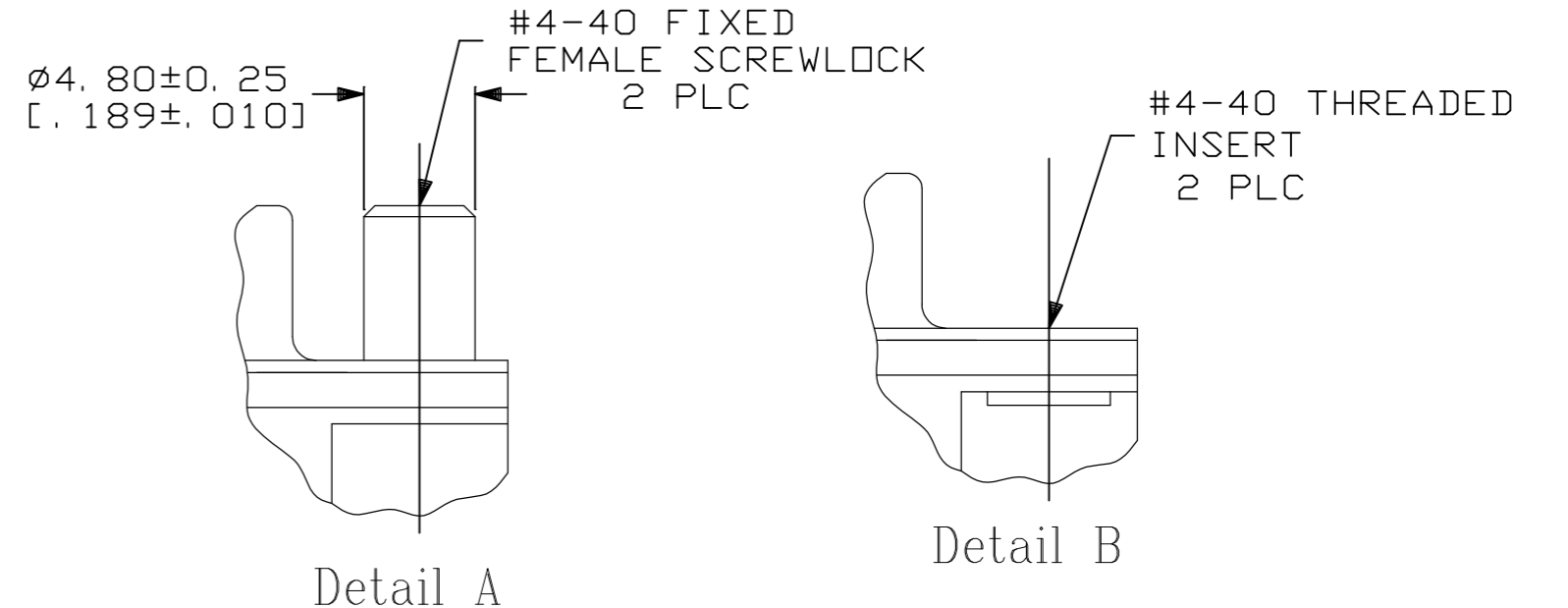
RECOMMENDED PCB LAYOUT

- HOUSING MATERIAL: PBT, GLASS FILLED, BLACK, UL 94V-0 RATED.
- CONTACT MATERIAL: PHOSPHOR BRONZE.
- CONTACT FINISH: GOLD PLATE IN MATING AREA (SEE TABLE), 120μ" MIN TIN PLATE ON SOLDER TAIL, BOTH OVER 50μ" MIN NICKEL UNDERPLATE.
- SHELL: STEEL, NICKEL PLATE.
- BOARDLOCK: BRASS, 100μ" MIN TIN PLATE.
- FEMALE SCREWLOCKS/ THREADED INSERTS: BRASS, NICKEL PLATE.

△ FOUR DIGIT DATE CODE IN THIS FORMAT.

Year 01 45 Manufacturing Week

△ DATUMS [-X-] & [-Y-] TO BE ESTABLISHED BY CUSTOMER.  
 △ OBSOLETE PARTS: OBSOLETE CIS STREAMLINING PER D.RENAUD/D.SINISI



-B-	Tray	Detail A	Gold flash	2-5748394-6
	SUPD BY 5748394-6	Tray	15μ" MIN	2-5748394-5
9	SUPERSEDED	Tray	Gold flash	2-5748394-4
	OBSOLETE	Tray	15μ" MIN	2-5748394-3
-	Tray	Detail A	30μ" MIN	5748394-6
	Tray	Detail B	30μ" MIN	5748394-5
Packaging	Mounting Flange Configuration	Contact Mating Area Finish	AMP Part NO.	

5748394-6, 2--5, & 2--6, SHOWN

THIS DRAWING IS A CONTROLLED DOCUMENT.		DWN B. MCMASTER 21SEP05	Tyco Electronics Corporation Harrisburg, PA 17105-3608
DIMENSIONS: mm [INCHES]		CHK S. BOLASH 21SEP05	
TOLERANCES UNLESS OTHERWISE SPECIFIED:		APVD M. WALMSLEY 21SEP05	NAME AMPLIMITE HD-22 62 POS RECEPTACLE, RIGHT ANGLE
0 PLC ± -		PRODUCT SPEC	
1 PLC ± 0.30		APPLICATION SPEC	SIZE A2
2 PLC ± 0.20		WEIGHT -	CAGE CODE 00779
3 PLC ± 0.10		FINISH -	DRAWING NO C=5748394
4 PLC ± -			RESTRICTED TO -
ANGLES ± 2°		CUSTOMER DRAWING	SCALE 2:1 SHEET 1 OF 1 REV B1