

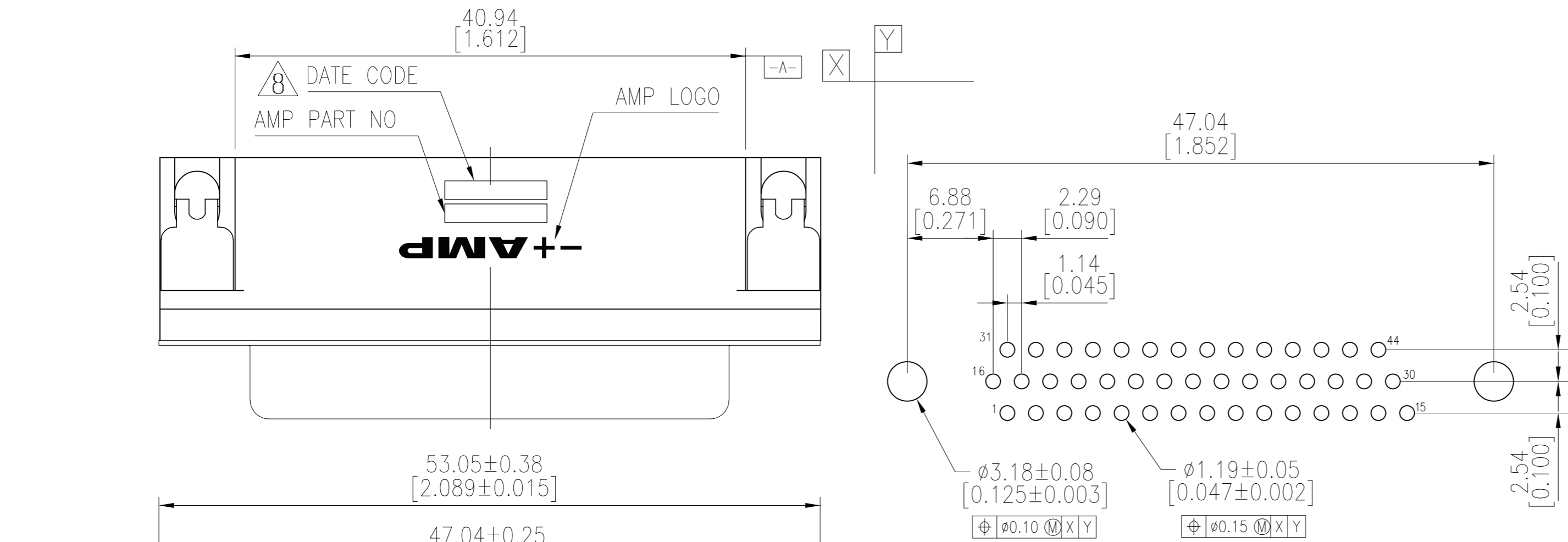
THIS DRAWING IS UNPUBLISHED. RELEASED FOR PUBLICATION
 © COPYRIGHT BY TYCO ELECTRONICS CORPORATION. ALL RIGHTS RESERVED.

LOC		DIST		REVISIONS			
GP	00	P	LTR	DESCRIPTION	DATE	DWN	APVD
		A		REVISED PER ECO-09-005756	15APR2009	ZMR	SLB

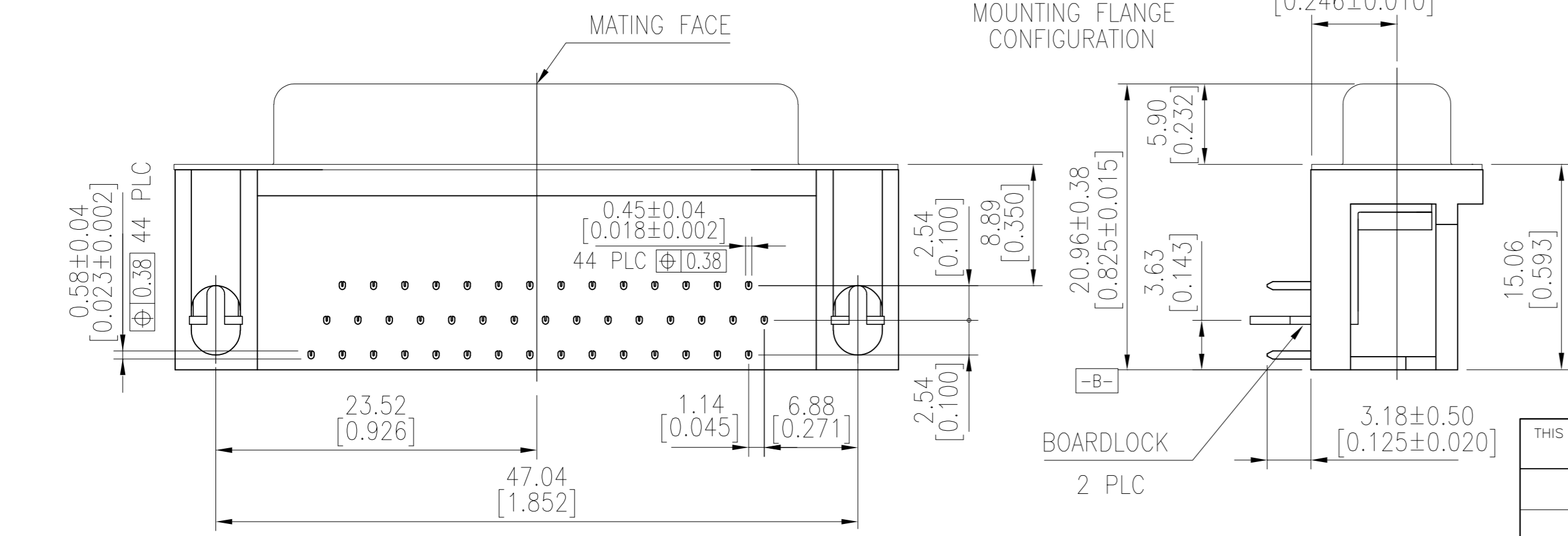
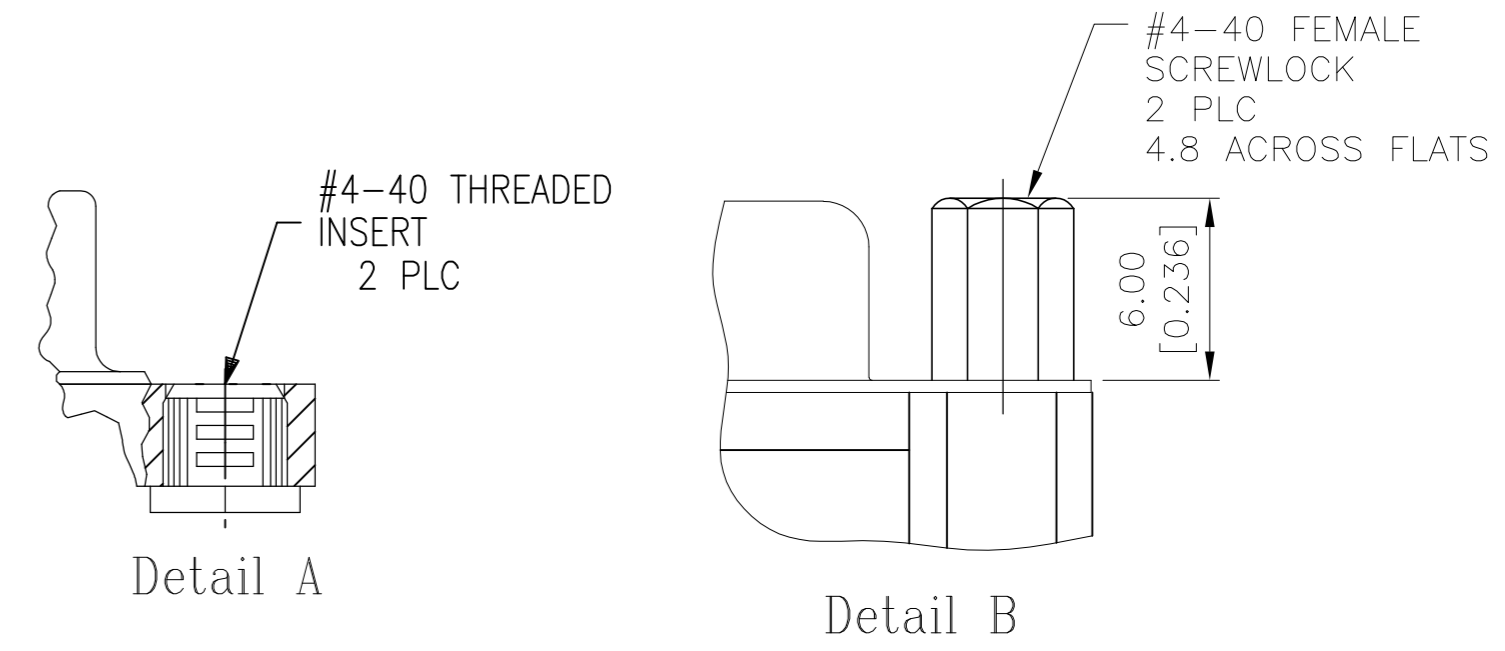
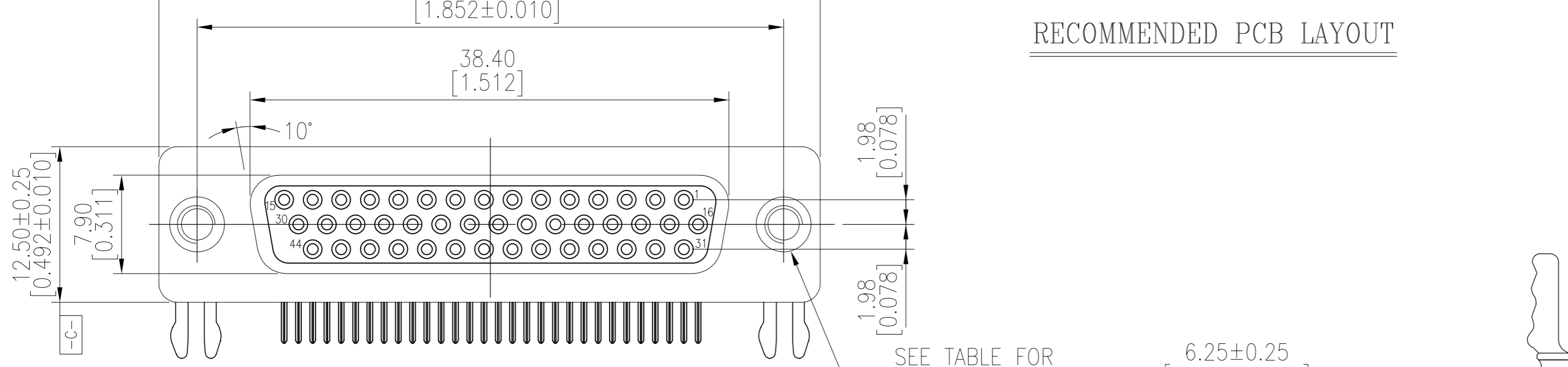
MATERIAL:

- Housing: PBT , 30 % G.F polyester, Black. (UL 94V-0 Rated)
- Contact: Phos. Bronze.
- Contact Plated: Gold Plated over 50u" Nickel underplated.
- Solder Tail: Sn Plated 120u" over 50u" Nickel underplated.
- Shell: Steel, Nickel Plated.
- Boardlocks: Brass, Tin Plated 100u".
- Screwlocks: Brass, Nickel Plated 30u".

△ Four digit date code in this format.
 Year 01 45 Manufacturing Week



RECOMMENDED PCB LAYOUT



	Tray	Detail B	15 μ"	2-5748482-5
OBSOLETE	Tray	Detail A	Gold flash	2-5748482-4
OBSOLETE	Tray	Detail A	15 μ"	2-5748482-3
	Tray	Detail A	30 μ"	5748482-5
	Packaging	Mounting Flange	Contact Finish	Part No

THIS DRAWING IS A CONTROLLED DOCUMENT.		DWN J.GERACE 25FEB05	Tyco Electronics Corporation Harrisburg, Pa 17105-3608	
DIMENSIONS: mm [INCHES]		CHK S.BOLASH 25FEB05	NAME AMPLIMITE HD-22, 44 POSITION RECEPTACLE, RIGHT ANGLE	
TOLERANCES UNLESS OTHERWISE SPECIFIED:		APVD M.WALMSLEY 25FEB05	SIZE A2 CAGE CODE 00779 C=5748482	
0 PLC ± -		PRODUCT SPEC	RESTRICTED TO	
1 PLC ± 0.30		APPLICATION SPEC	SCALE 1:1 SHEET 1 OF 1 REV A	
2 PLC ± 0.20		WEIGHT		
3 PLC ± 0.10		CUSTOMER DRAWING		
4 PLC ± -				
ANGLES ± 2°				
FINISH				