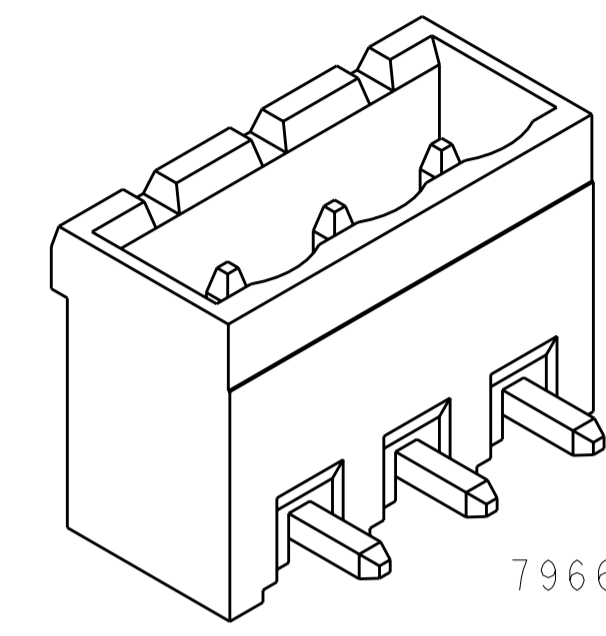
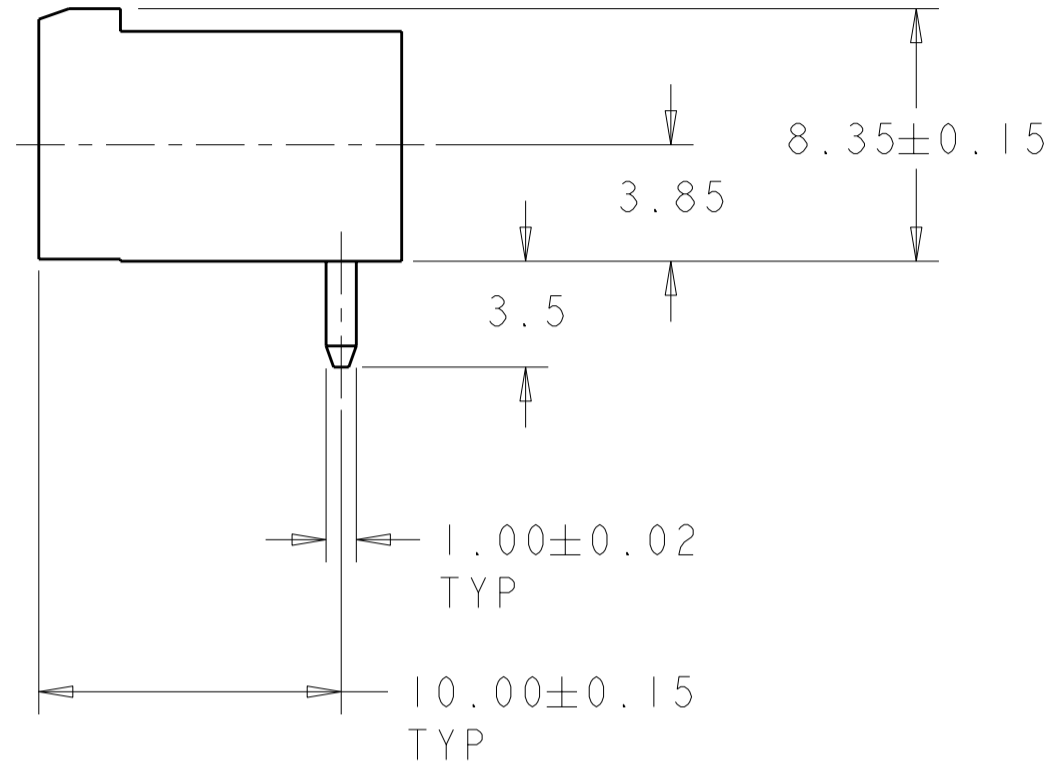
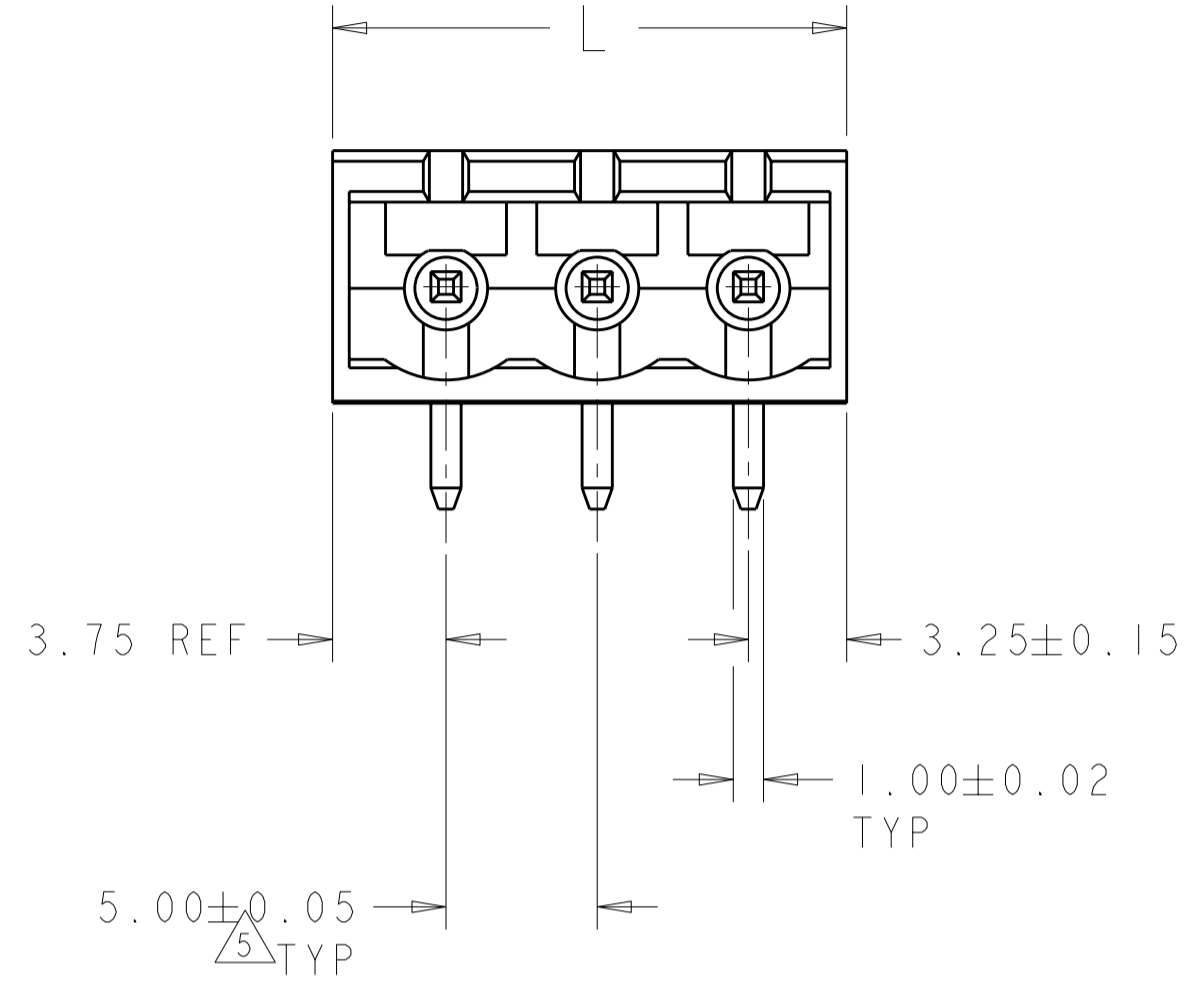


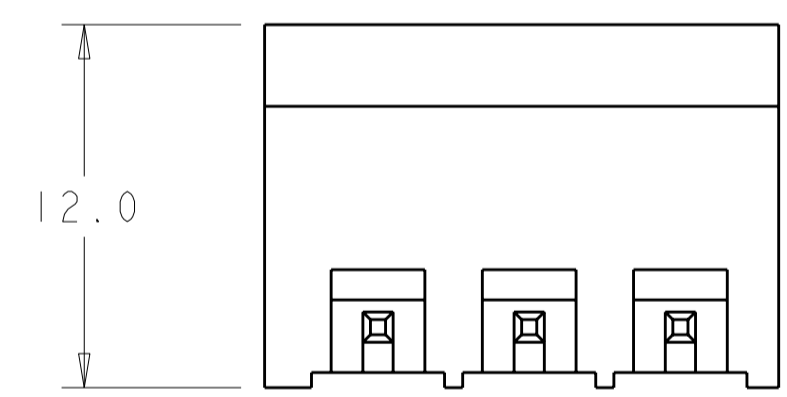
THIS DRAWING IS UNPUBLISHED. RELEASED FOR PUBLICATION 20  
 © COPYRIGHT 20 BY TYCO ELECTRONICS CORPORATION. ALL RIGHTS RESERVED.

LOC	DIST	REVISIONS			
P	LTR	DESCRIPTION	DATE	DWN	APVD
FT	0	A2	REVISED PER ECO-08-031201	18DEC2008	HMR CR

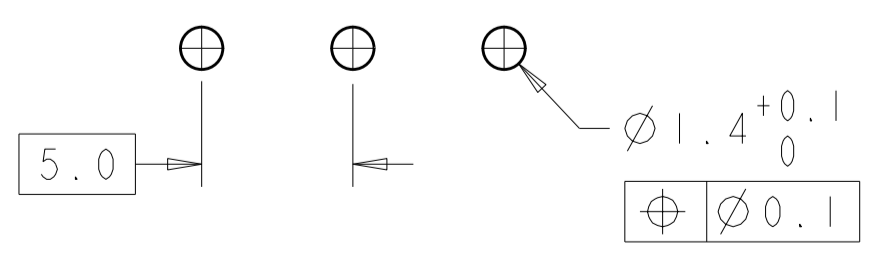


796645-3 AS SHOWN

PRELIMINARY	0.76 μm GOLD	47.0	9	3-796645-2
PRELIMINARY	0.76 μm GOLD	37.0	7	3-796645-1
PRELIMINARY	0.76 μm GOLD	32.0	6	3-796645-0
PRELIMINARY	0.76 μm GOLD	27.0	5	2-796645-9
PRELIMINARY	0.76 μm GOLD	22.0	4	2-796645-8
PRELIMINARY	0.76 μm GOLD	17.0	3	2-796645-7
PRELIMINARY	0.76 μm GOLD	42.0	8	2-796645-6
TIN		127.0	25	2-796645-5
TIN		122.0	24	2-796645-4
TIN		117.0	23	2-796645-3
TIN		112.0	22	2-796645-2
TIN		107.0	21	2-796645-1
TIN		102.0	20	2-796645-0
TIN		97.5	19	1-796645-9
TIN		92.0	18	1-796645-8
TIN		87.0	17	1-796645-7
TIN		82.0	16	1-796645-6
TIN		77.0	15	1-796645-5
TIN		72.0	14	1-796645-4
TIN		67.0	13	1-796645-3
TIN		62.0	12	1-796645-2
TIN		57.0	11	1-796645-1
TIN		52.0	10	1-796645-0
TIN		47.0	9	796645-9
TIN		42.0	8	796645-8
TIN		37.0	7	796645-7
TIN		32.0	6	796645-6
TIN		27.0	5	796645-5
TIN		22.0	4	796645-4
TIN		17.0	3	796645-3
TIN		12.0	2	796645-2
CONTACT PLATING		DIM L	NO OF POSN	PART NUMBER



- 1. MATERIALS AND FINISH:  
 HOUSING: PA 6-6, UL 94-V0, COLOR: BLACK.  
 TERMINAL: PHOSPHOR BRONZE, FINISH: SEE TABLE.
- 2. SUITABLE FOR 1,6-2, 4mm PC BOARD THICKNESS.
- 3. RECOGNIZED UNDER THE COMPONENT PROGRAM OF UNDERWRITERS LABORATORIES INC. FILE N° E60677.
- 4. IMQ CERTIFICATE WITH SURVEILLANCE IN CONFORMITY WITH IEC 998-1/998-2-1.
- 5. NOT CUMULATIVE TOLERANCE



RECOMMENDED PC BOARD LAYOUT

<small>THIS DRAWING IS A CONTROLLED DOCUMENT FOR TYCO ELECTRONICS CORPORATION. IT IS SUBJECT TO CHANGE AND THE CONTROLLING ENGINEERING ORGANIZATION SHOULD BE CONTACTED FOR THE LATEST REVISION.</small>		DWN S.WELDON 19OCT2000 CHK D.BIEVENOUR 19OCT2000 APVD D.BIEVENOUR 19OCT2000	Tyco Electronics Harrisburg, PA 17105-3608
DIMENSIONS: mm	TOLERANCES UNLESS OTHERWISE SPECIFIED: 0 PLC ± 1 PLC ±0.2 2 PLC ± 3 PLC ± 4 PLC ± ANGLES ± FINISH	PRODUCT SPEC APPLICATION SPEC WEIGHT	NAME TERMI-BLOK HEADER ASSEMBLY, 90 DEGREE, CLOSED ENDS, 5.00mm PITCH
MATERIAL			SIZE A2 CAGE CODE 00779 DRAWING NO. 796645 RESTRICTED TO
CUSTOMER DRAWING			SCALE 4:1 SHEET 1 OF 1 REV A2