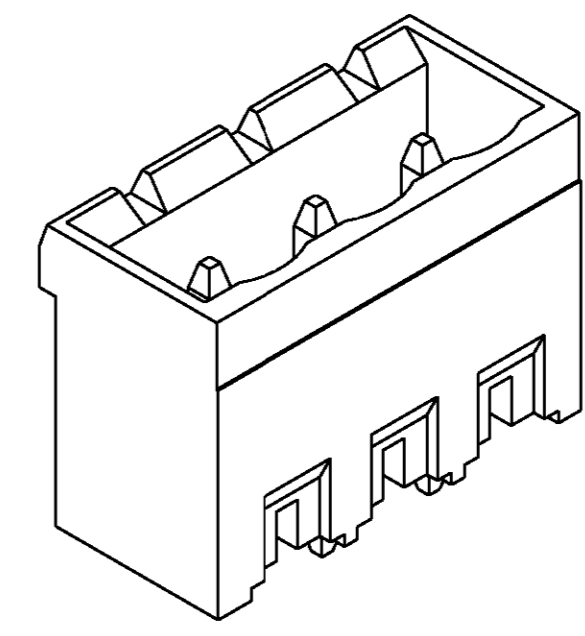
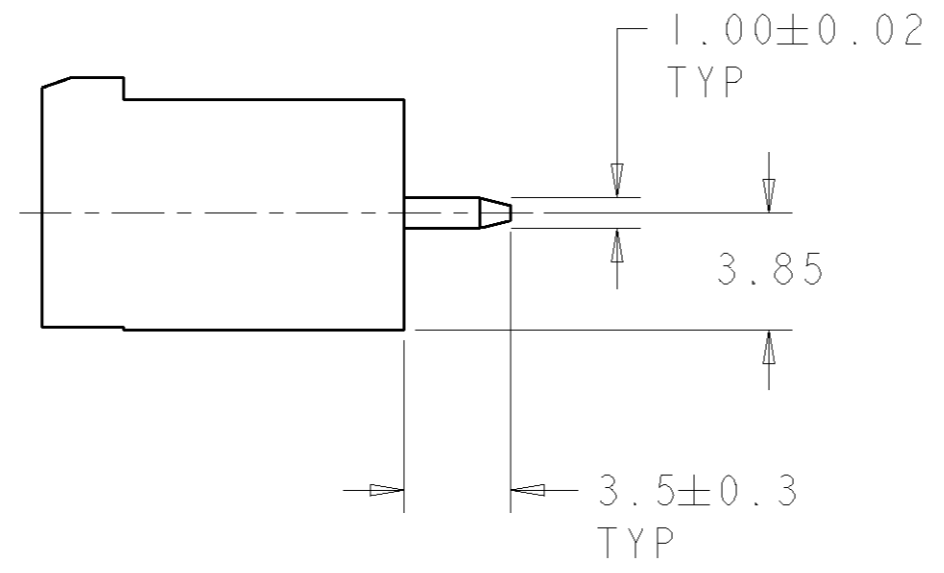
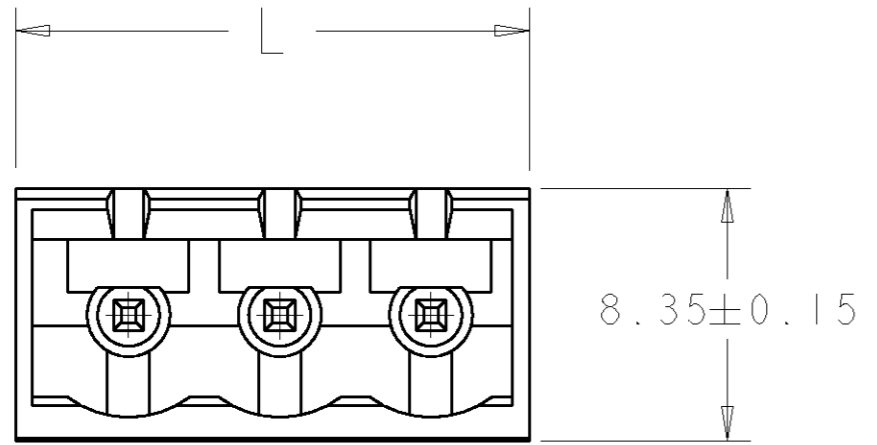
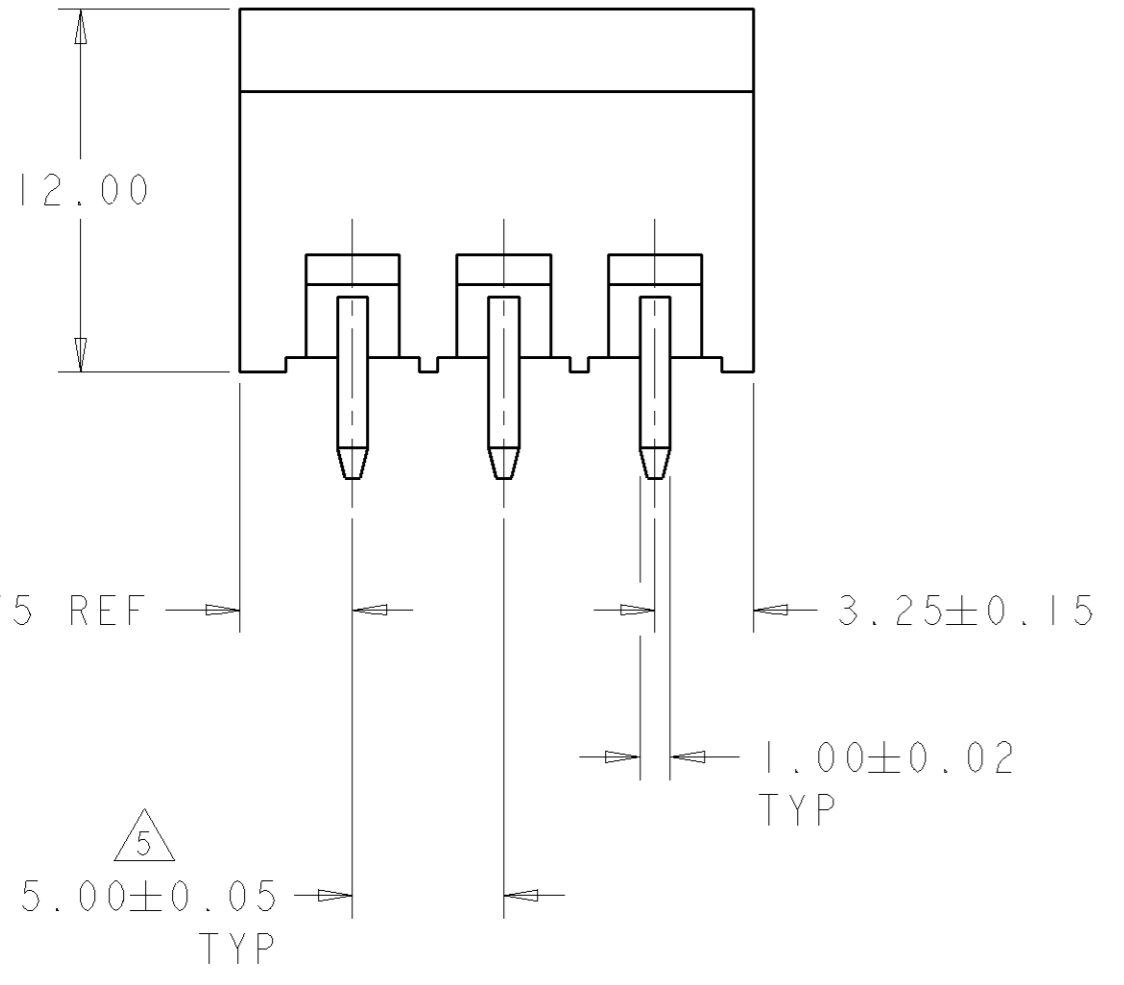


THIS DRAWING IS UNPUBLISHED. RELEASED FOR PUBLICATION 20
 © COPYRIGHT 20 BY TYCO ELECTRONICS CORPORATION. ALL RIGHTS RESERVED.

LOC	DIST	REVISIONS			
P	LTR	DESCRIPTION	DATE	DWN	APVD
FT	0	A	RELEASED	02MAR2001	SW DB



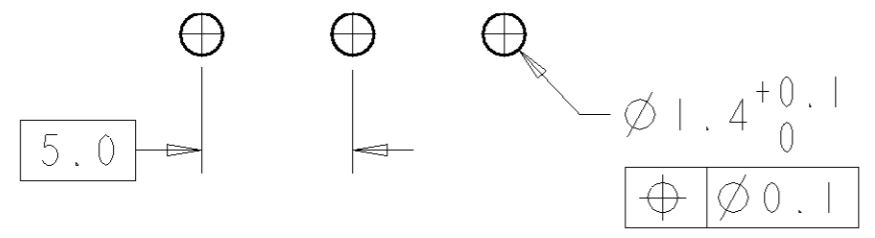
796699-3 AS SHOWN



- △ MATERIALS AND FINISH:
 HOUSING: PA 6-6, UL 94-V0, COLOR: BLUE.
 TERMINAL: PHOSPHOR BRONZE, TIN PLATED.
- SUITABLE FOR 1,6-2, 4mm PC BOARD THICKNESS.
 - RECOGNIZED UNDER THE COMPONENT PROGRAM OF UNDERWRITERS LABORATORIES INC. FILE N° E60677.
 - IMQ CERTIFICATE WITH SURVEILLANCE IN CONFORMITY WITH IEC 998-1/998-2-1.)

△ NOT CUMULATIVE TOLERANCE

DIM L	NO OF POSN	PART NUMBER
127.0	25	2-796699-5
122.0	24	2-796699-4
117.0	23	2-796699-3
112.0	22	2-796699-2
107.0	21	2-796699-1
102.0	20	2-796699-0
97.5	19	1-796699-9
92.0	18	1-796699-8
87.0	17	1-796699-7
82.0	16	1-796699-6
77.0	15	1-796699-5
72.0	14	1-796699-4
67.0	13	1-796699-3
62.0	12	1-796699-2
57.0	11	1-796699-1
52.0	10	1-796699-0
47.0	9	796699-9
42.0	8	796699-8
37.0	7	796699-7
32.0	6	796699-6
27.0	5	796699-5
22.0	4	796699-4
17.0	3	796699-3
12.0	2	796699-2



RECOMMENDED PC BOARD LAYOUT

THIS DRAWING IS A CONTROLLED DOCUMENT FOR TYCO ELECTRONICS CORPORATION. IT IS SUBJECT TO CHANGE AND THE CONTROLLING ENGINEERING ORGANIZATION SHOULD BE CONTACTED FOR THE LATEST REVISION.		DWN S. WELDON 02MAR2001	Tyco Electronics Harrisburg, PA 17105-3608	
DIMENSIONS: mm		CHK D. BIEVENOUR 02MAR2001	NAME BUCHANAN TERMINAL BLOCK HEADER ASSEMBLY, 180 DEGREE, CLOSED ENDS, 5.00mm PITCH	
TOLERANCES UNLESS OTHERWISE SPECIFIED: 0 PLC ± 1 PLC ±0.2 2 PLC ± 3 PLC ± 4 PLC ± ANGLES ± FINISH		APVD D. BIEVENOUR 02MAR2001		
MATERIAL		PRODUCT SPEC -	SIZE A2	CAGE CODE 00779
		APPLICATION SPEC -	DRAWING NO G-796699	RESTRICTED TO -
		WEIGHT -	SCALE 4:1 SHEET 1 OF 1 REV A	
		CUSTOMER DRAWING		