

PRODUCT NUMBER
20020004-XXXXXXLF

20020004- LF

PITCH
C: 3.50 mm
D: 3.81 mm

POLES
02: 2 POLES
03: 3 POLES
04: 4 POLES
|
24: 24 POLES

LF : DENOTED RoHS COMPATIBLE

1 : STANDARD PRODUCT
W/ BOX PACKING

SCREW CODE

PROPERTY TABLE			
FCI SERIES NAME		01-350	01-381
PITCH (mm)		3.50	3.81
VOLTAGE RATING (VAC)		300	300
CURRENT RATING (A)		10	10
APPLICABLE WIRE RANGE (AWG)		1-WIRE	16~26
		2-WIRE	20
WIRE CROSS SECTION (mm ²)	SOLID	1-WIRE	1.5
		2-WIRE	0.5
	STRANDED	1-WIRE	1.5
		2-WIRE	0.75
OPENING CONTACT HOUSING(mm ²)		1.6x2.5	1.6x2.5
WIRE STRIP LENGTH(mm)		6~7	6~7
TORQUE +/- 10% (N-m/Lb-in)		0.23/2.0	0.23/2.0
SCREW		M2x0.4	M2x0.4
WITHSTANDING VOLTAGE (kV)		1.6	1.6
OPERATING TEMP. (°C)		-40~+115	-40~+115
POLES AVAILABLE		02~24	02~24
SAFETY CERTIFICATE			

HOUSING CODE

CODE	COLOR	AVAILABILITY
1	GREEN(RAL 6018/T)	STANDARD
2	BLACK	ON REQUEST ONLY
3	GREY(RAL 7004/P)	ON REQUEST ONLY
4	BLUE(RAL 5015/A)	ON REQUEST ONLY

CODE	SCREW TYPE	AVAILABILITY
A	-/+	ON REQUEST ONLY
B	-	STANDARD

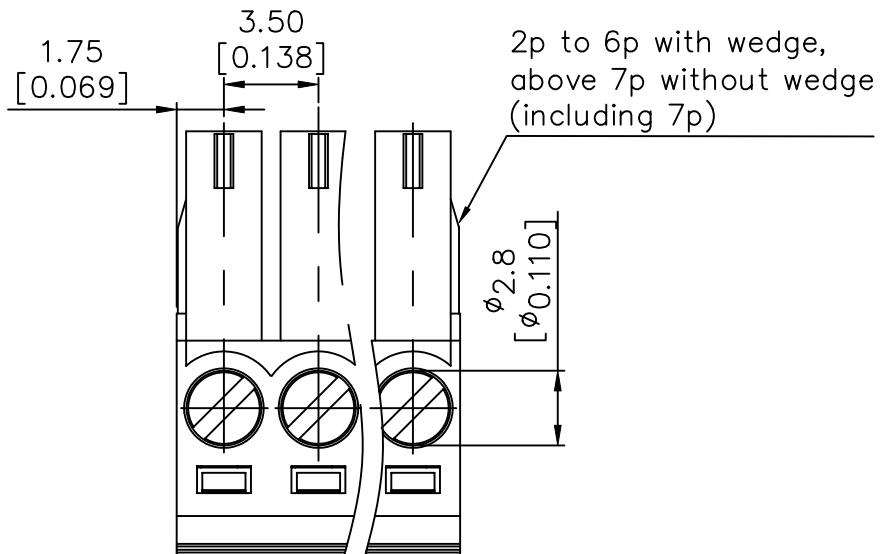
NOTES:

- MATERIALS
1-1 HOUSING: THERMALPLASTIC RESIN, UL 94V-0 RATED.
1-2 SCREW: STEEL, ZINC PLATED.
1-3 CLAMP: BRASS, NICKEL PLATED.
1-4 TERMINAL: PHOSPHOROUS BRONZES, TIN PLATED.
- PRODUCT SPECIFICATION REFER TO FCI GS-12-625.
- BOXED PACKAGING,
DETAILED PRODUCT PACKING SPECIFICATION REFER TO FCI GS-14-1394.
- FCI, SAFETY CERTIFICATE LOGO AND SERIES NAME TO BE SHOWN ON PRODUCT SURFACE.
- THE PRODUCTS WHERE THE PART NUMBER END IN "LF" MEET THE EUROPEAN UNION DIRECTIVE AND OTHER COUNTRY REGULATIONS AS DESCRIBED IN GS-22-008.

mat'l. code		surface	tolerance	projection	product family	
		ASME Y14.5	ASME Y14.5		TERMINAL BLOCK	
ltr	ecn no	dr	date	tolerances unless otherwise specified		
A	D609-0203	BF	062509	angles	title TERMINAL BLOCK PLUGGABLE PLUG, SIGNAL, W/O FLANGE CONTACT UP SIDE	
B	T09-1148	BF	111709	to 10°		
C	T09-1152	BF	112609	to 15°	MM [INCH]	
D	T10-0042	WL	030310	to 20°		
E	T10-0127	WL	080910	to 25°	scale	
F	T10-0147	WL	091310	to 30°		
G	T10-0159	WL	100410	to 35°	FCI	
sheet		revision	G	G		dwg no
index		sheet	1	2	3	sheet 1 of 3
						20020004
						A4
						type
						CUSTOMER Drawing

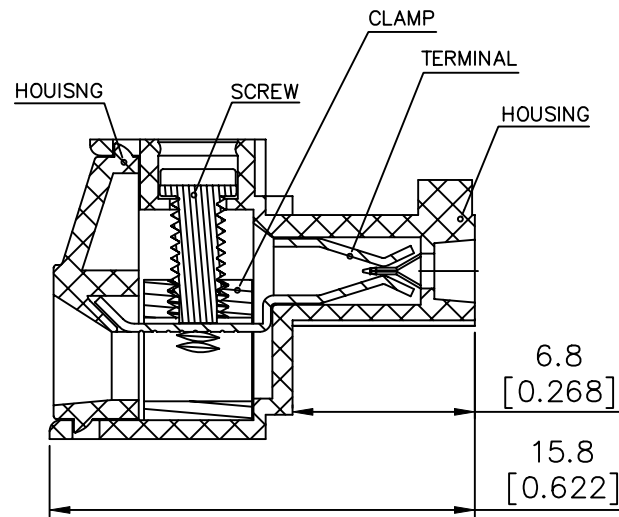
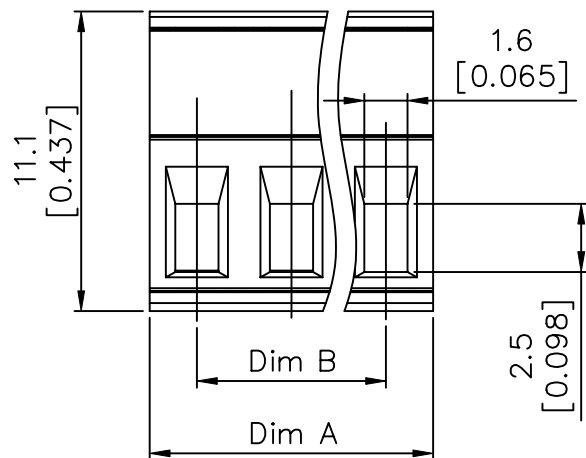


PRODUCT NUMBER	SERIES NAME	PITCH
20020004-CXXXXXLf	01-350	3.50 mm



N = Number of poles
 Dim A = $N \times 3.5 [0.138]$
 Dim B = $(N-1) \times 3.5 [0.138]$

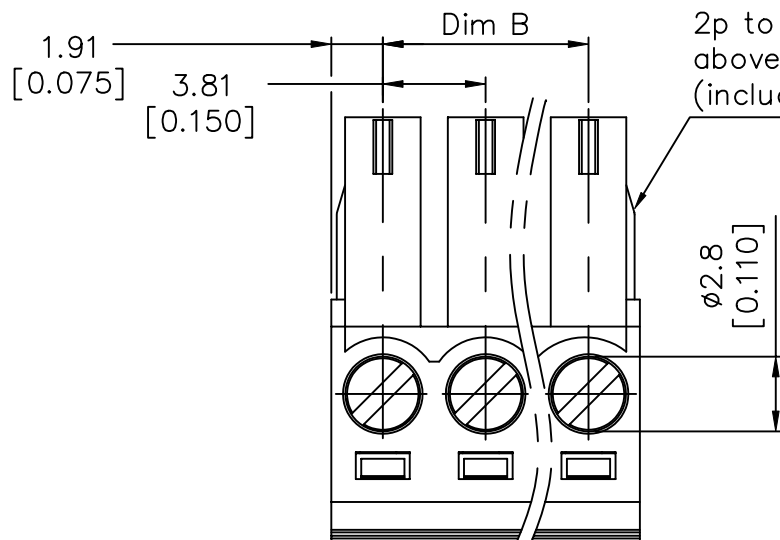
TOL.	Dim A	Dim B
2-6p	$\pm 0.15 [0.006]$	
7-12p	$\pm 0.20 [0.008]$	
13-18p	$\pm 0.25 [0.010]$	
19-24p	$\pm 0.30 [0.012]$	



mat'l. code		surface ASME Y14.5	tolerance ASME Y14.5	projection 	product family TERMINAL BLOCK
ltr	ecn no	dr	date	title TERMINAL BLOCK PLUGGABLE PLUG, SIGNAL, W/O FLANGE CONTACT UP SIDE	
g		angles X°±1'		MM [INCH]	scale
dr		BEER FU	062509	dwg no 20020004	
enr		BEER FU	062509	sheet 2 of 3 size A4	
chr		GARY HSIEH	062509	type CUSTOMER Drawing	
appd		JOSEPH HSIA	062509	FCI logo	
sheet index	revision sheet				



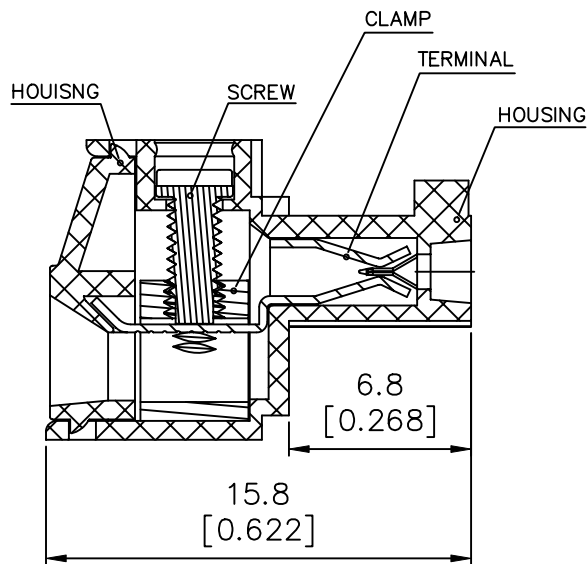
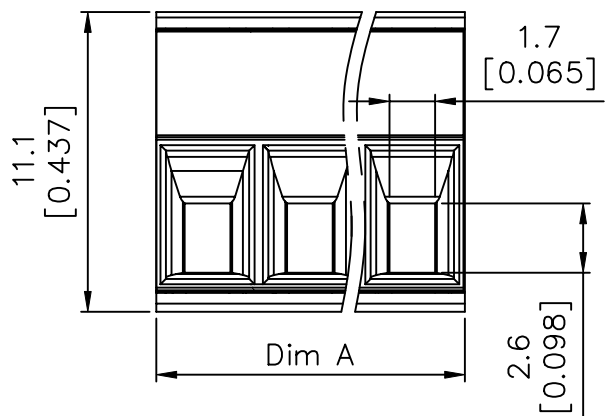
PRODUCT NUMBER	SERIES NAME	PITCH
20020004-DXXXXXXLF	01-381	3.81 mm



2p to 6p with wedge,
above 7p without wedge
(including 7p)

N = Number of poles
Dim A = $N \times 3.81 [0.150]$
Dim B = $(N - 1) \times 3.81 [0.150]$

TOL.	Dim A	Dim B
2-6p	$\pm 0.15 [0.006]$	
7-12p	$\pm 0.20 [0.008]$	
13-18p	$\pm 0.25 [0.010]$	
19-24p	$\pm 0.30 [0.012]$	



mat'l. code		surface ASME Y14.5 ✓	tolerance ASME Y14.5	projection 	product family TERMINAL BLOCK
ltr	ecn no	dr	date	title TERMINAL BLOCK PLUGGABLE PLUG, SIGNAL, W/O FLANGE CONTACT UP SIDE	
g		angles	tolerances unless otherwise specified	MM [INCH]	scale
		X ± 0.5			
		X.X ± 0.3			
		X.XX ± 0.1			
dr	BEER FU	062509			dwg no 20020004
enr	BEER FU	062509			sheet 3 of 3
chr	GARY HSIEH	062509			A4
appd	JOSEPH HSIA	062509			type CUSTOMER Drawing
sheet index	revision sheet				