



PRODUCT NUMBER
20020516-MXXXXXLF

20020516 — □ □ □ □ □ ○ □ L F

PITCH  
M: 7.62 mm

POLES  
02: 2 POLES  
03: 3 POLES  
04: 4 POLES  
24: 24 POLES

LF : DENOTED RoHS COMPATIBLE  
1 : STANDARD PRODUCT  
W/ BOX PACKING

SCREW CODE

PROPERTY TABLE			
FBI SERIES NAME	04-762		
PITCH (mm)	7.62		
VOLTAGE RATING (VAC)	300		
CURRENT RATING (A)	32		
APPLICABLE WIRE RANGE (AWG)	1-WIRE	8~24	
	2-WIRE	14	
WIRE CROSS SECTION (mm <sup>2</sup> )	SOLID	1-WIRE	10
		2-WIRE	2.5
	STRANDED	1-WIRE	6
		2-WIRE	4
OPENING CONTACT HOUSING(mm <sup>2</sup> )	3.6x4.2		
WIRE STRIP LENGTH(mm)	10~11		
TORQUE +/-10% (N-m/Lb-in)	0.79/7.0		
SCREW	M3.5x0.5		
WITHSTANDING VOLTAGE (kV)	1.6		
OPERATING TEMP. (°C)	-40~+115		
SOLDERING TEMP. (°C)	250±10 (5 sec.)		
POLES AVAILABLE	02~16		
SAFETY CERTIFICATE			

CODE	SCREW TYPE	AVAILABILITY
A	-/+	ON REQUEST ONLY
B	-	STANDARD

HOUSING CODE

CODE	COLOR	AVAILABILITY
1	GREEN(RAL 6018/T)	STANDARD
2	BLACK	ON REQUEST ONLY
3	GREY(RAL 7004/P)	ON REQUEST ONLY
4	BLUE(RAL 5015/A)	ON REQUEST ONLY

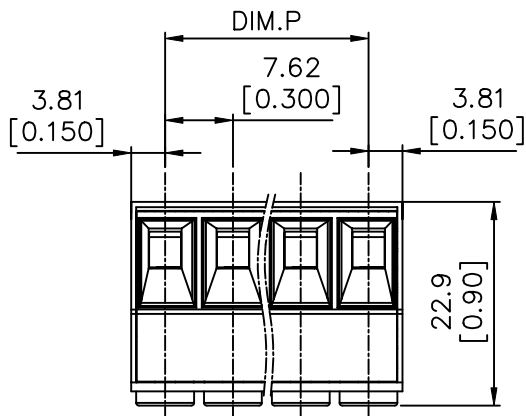
NOTES:

- MATERIALS  
 1-1 HOUSING: THERMALPLASTIC RESIN, UL 94V-0 RATED.  
 1-2 SCREW: STEEL, ZINC PLATED.  
 1-3 CLAMP: COPPER, NICKEL PLATED.  
 1-4 TERMINAL: COPPER, TIN PLATED.  
 1-5 WIRE GUARD: STAINLESS STEEL.  
 2. PRODUCTION SPECIFICATION REFER TO FCI GS-12-625.  
 3. BOXED PACKAGING.  
 DETAILED PRODUCT PACKING SPECIFICATION REFER TO FCI GS-14-1394.  
 4. FCI, SAFETY CERTIFICATE LOGO AND SERIES NAME TO BE SHOWN ON PRODUCT SURFACE.  
 5. THE PRODUCTS WHERE THE PART NUMBER END IN "LF" MEET THE EUROPEAN UNION DIRECTIVE AND OTHER COUNTRY REGULATIONS AS DESCRIBED IN GS-22-008.

mat'l. code				surface ASME Y14.5 ✓ / tolerance ASME Y14.5		projection		product family TERMINAL BLOCK			
ltr				ecn no		dr		date		title	
A				DG09-0203		BF		062509		TERMINAL BLOCK	
B				T09-1148		BF		111709		PLUGGABLE PLUG, CONTACT DOWN SIDE	
C				T09-1152		BF		112809		sheet 1 of 2 size	
D				T10-0042		WL		030310		dwg no 20020516	
E				T10-0159		WL		100410		A4	
						dr		BEER FU 062509		type CUSTOMER Drawing	
						enr		BEER FU 062509			
						chr		GARY HSIEH 062509			
						appd		JOSEPH HSIA 062509			
sheet index		revision sheet		E 1		E 2					

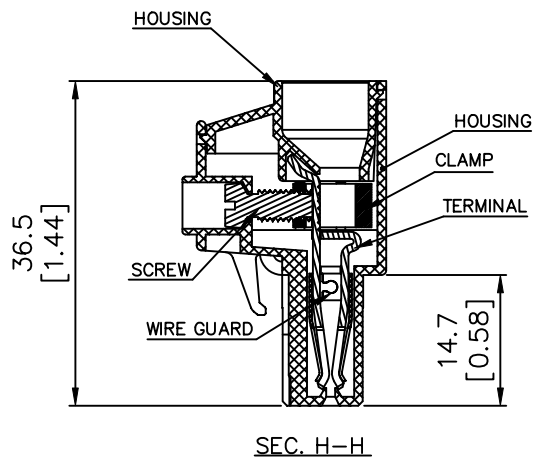
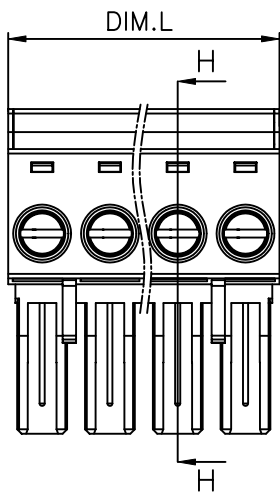


PRODUCT NUMBER	SERIES NAME	PITCH
20020516-MXXXXXL	04-762	7.62 mm



N = Number of poles  
 Dim L = N x 7.62 [0.300]  
 Dim P = (N - 1) x 7.62 [0.300]

TOL.	Dim L	Dim P
2-4p	±0.10 [0.004]	
5-8p	±0.20 [0.008]	
9-12p	±0.30 [0.012]	
13-16p	±0.40 [0.016]	



mat'l. code		surface ASME Y14.5 ✓	tolerance ASME Y14.5	projection 	product family TERMINAL BLOCK
ltr	ecn no	dr	date	title	
E				 scale	TERMINAL BLOCK PLUGGABLE PLUG, CONTACT DOWN SIDE
		dr	BEER FU 062509		sheet 2 of 2 size dwg no 20020516 A4
		enr	BEER FU 062509		type CUSTOMER Drawing
		chr	GARY HSIEH 062509		
		appd	JOSEPH HSIA 062509		
sheet index	revision sheet				