

PRODUCT NUMBER  
20020618-MXXXXXLF

20020618-□ □ □ □ A 0 □ L F

PITCH  
M: 7.62 mm


POLES  
02: 2 POLES  
03: 3 POLES  
04: 4 POLES  
  
16: 16 POLES

LF : DENOTED RoHS COMPATIBLE

1 : STANDARD PRODUCT  
W/ BOX PACKING

HOUSING CODE

CODE	COLOR	AVAILABILITY
1	GREEN(RAL 6018/T)	STANDARD
2	BLACK	ON REQUEST ONLY
3	GREY(RAL 7004/P)	ON REQUEST ONLY
4	BLUE(RAL 5015/A)	ON REQUEST ONLY

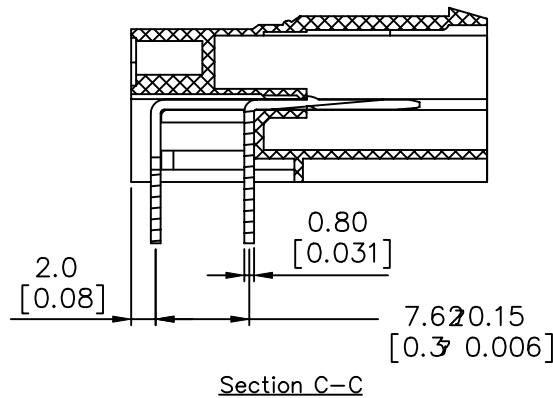
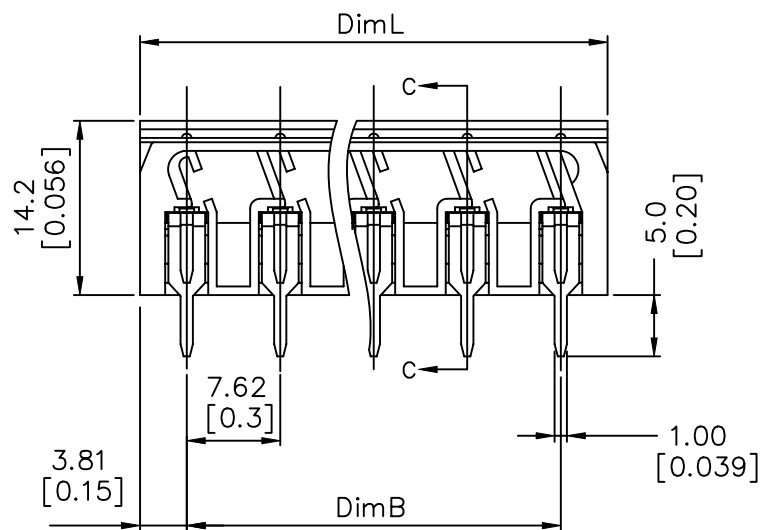
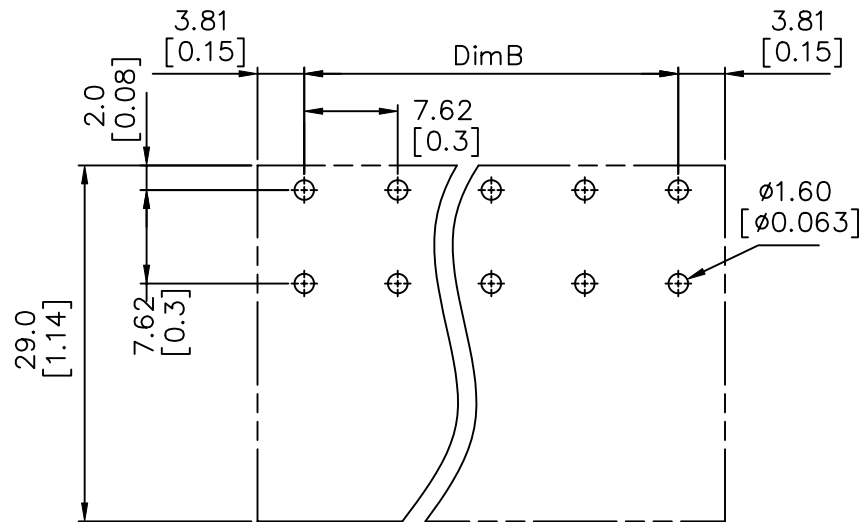
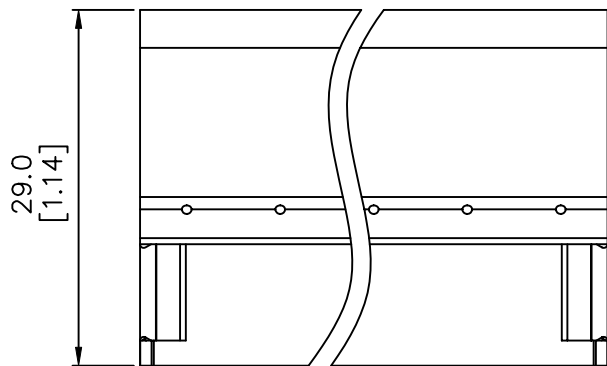
PROPERTY TABLE	
FCI SERIES NAME	07-762
PITCH (mm)	7.62
VOLTAGE RATING (VAC)	300
CURRENT RATING (A)	32
WITHSTANDING VOLTAGE (kV)	1.6
OPERATING TEMP. (°C)	-40~+115
SOLDERING TEMP. (°C)	250±10 (5 sec.)
POLES AVAILABLE	02~16
SAFETY CERTIFICATE	

- NOTES:
- MATERIALS  
1-1 HOUSING: THERMALPLASTIC RESIN, UL 94V-0 RATED.  
1-2 TERMINAL: COPPER, TIN PLATED.
  - PRODUCTION SPECIFICATION REFER TO FCI GS-12-625.
  - BOXED PACKAGING.  
DETAILED PRODUCT PACKING SPECIFICATION REFER TO FCI GS-14-1394.
  - FCI, SAFETY CERTIFICATE LOGO AND SERIES NAME TO BE SHOWN ON PRODUCT SURFACE.
  - THE PRODUCTS WHERE THE PART NUMBER END IN "LF" MEET THE EUROPEAN UNION DIRECTIVE AND OTHER COUNTRY REGULATIONS AS DESCRIBED IN GS-22-008.
  - RECOMENDED SOLDERING PROCESS BY WAVE SOLDER.

mat'l. code		surface ASME Y14.5 ✓		tolerance ASME Y14.5		projection		product family	
litr		ecn no	dr	date		tolerances unless otherwise specified		TERMINAL BLOCK	
A	0609-0203	BF	062509	angles		X.±0.5		title	
B	T09-1148	BF	111709	to		X.X±0.3		TERMINAL BLOCK	
C	T10-0042	WL	030310	file		X.XX±0.1		PLUGGABLE SOCKET, RIGHT ANGLE	
D	T10-0159	WL	100410	dr		BEER FU 062509		dwg no	
enr		BEER FU 062509		chr		GARY HSIEH 062509		sheet 1 of 2 size	
appd		JOSEPH HSIA 062509		scale		MM		20020618	
sheet index		revision		D		D		A4	
sheet		1		2				CUSTOMER Drawing	



PRODUCT NUMBER	SERIES NAME	PITCH
20020618-MXXXXXXLF	07-762	7.62 mm



N = Number of poles  
 Dim L =  $N \times 7.62 [0.300]$   
 Dim B =  $(N-1) \times 7.62 [0.300]$

TOL.	Dim L	Dim B
2-5p	$\pm 0.20 [0.008]$	
6-10p	$\pm 0.30 [0.012]$	
11-13p	$\pm 0.35 [0.014]$	
14-16p	$\pm 0.40 [0.016]$	

mat'l. code		surface ASME Y14.5 ✓	tolerance ASME Y14.5	projection 	product family TERMINAL BLOCK
ltr	ecn no	dr	date	tolerances unless otherwise specified	title
D				angles X.±0.5 X.X±0.3 X.XX±0.1	TERMINAL BLOCK PLUGGABLE SOCKET, RIGHT ANGLE
				scale MM [INCH]	dwg no 20020618
		dr	BEER FU 062509		sheet 2 of 2 size A4
		enr	BEER FU 062509		CUSTOMER Drawing
		chr	GARY HSIEH 062509		
		appd	JOSEPH HSIA 062509		
sheet index	revision sheet				