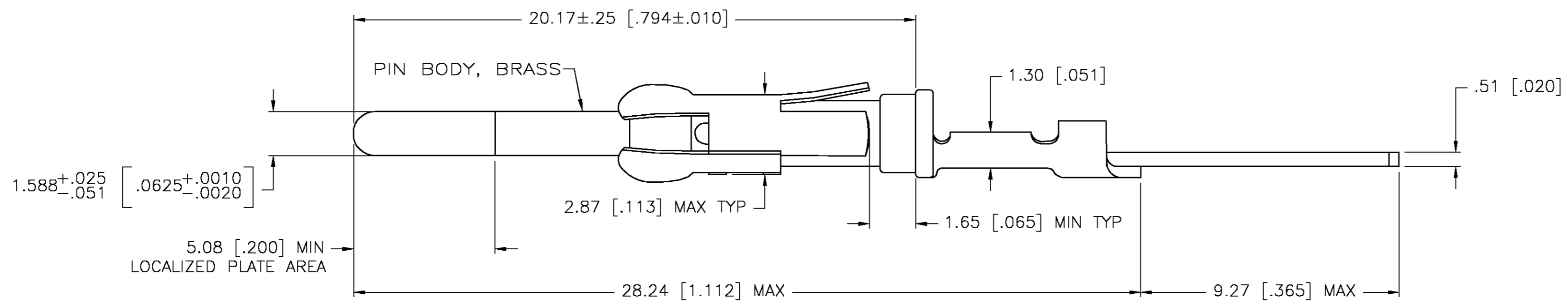
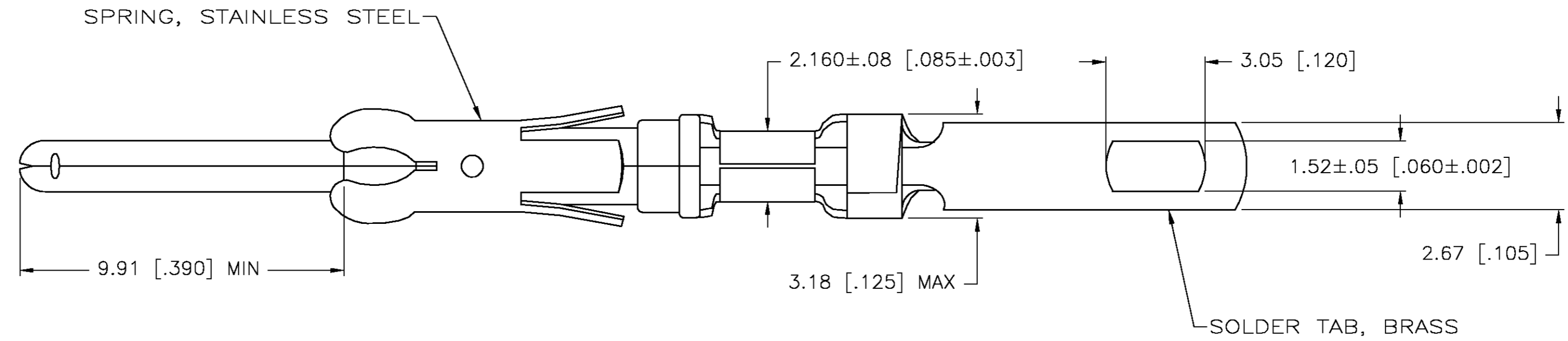


THIS DRAWING IS UNPUBLISHED. RELEASED FOR PUBLICATION
 © COPYRIGHT BY TYCO ELECTRONICS CORPORATION. ALL RIGHTS RESERVED.

| LOC | | DIST | | REVISIONS | | | |
|-----|-----|-------------|--------------------------|-----------|------|----|--|
| P | LTR | DESCRIPTION | DATE | DWN | APVD | | |
| FT | 0 | T | REVISED PER 0G3B-0956-04 | 11/22/04 | SS | GS | |



- ① 1.27μm [.000050] MIN TIN-LEAD OVER
1.27μm [.000050] MIN NICKEL.
- ② 0.76μm [.000030] MIN GOLD IN LOCALIZED
PLATE AREA, 0.25μm [.000010] MIN
GOLD ON THE REMAINDER ALL OVER
1.27μm [.000050] MIN NICKEL.
- ③ 2.54μm [.000100] MIN TIN-LEAD OVER
1.27μm [.000050] MIN NICKEL.
- ④ 2.54μm [.000100] MIN TIN OVER
1.27μm [.000050] MIN NICKEL.
- ⑤ 1.27μm [.000050] MIN TIN OVER
1.27μm [.000050] MIN NICKEL.

| | | | |
|-------------------|----------------|--------|----------|
| ④ | SMALL PACK | ② | 202236-8 |
| | STANDARD | ② | 202236-7 |
| ③ | SMALL PACK | ⑤ | 202236-6 |
| | STANDARD | ⑤ | 202236-5 |
| FINISH SOLDER TAB | SMALL PACK | ① | 202236-4 |
| | SMALL PACK | ② | 202236-3 |
| | STANDARD | ① | 202236-2 |
| | STANDARD | ② | 202236-1 |
| FINISH SOLDER TAB | PACKAGING TYPE | FINISH | PART NO |

THIS DRAWING IS A CONTROLLED DOCUMENT.

| | | | |
|----------------------------|---|-------------------------------|---|
| DIMENSIONS: mm [INCHES] | TOLERANCES UNLESS OTHERWISE SPECIFIED: | DWN H MOLL 27SEP90 | Tyco Electronics Corporation Harrisburg, Pa 17105-3608 |
| | | CHK J.McCLINTON 15DEC90 | |
| | | APVD A. BOULLIANNE 15DEC90 | NAME PIN ASSEMBLY, LOOSE PIECE, TYPE III+ |
| | | PRODUCT SPEC | SIZE A2 |
| | | APPLICATION SPEC | CAGE CODE 00779 |
| MATERIAL SEE CALL OUT | FINISH PIN BODY:SEE TABLE | WEIGHT - | DRAWING NO C=202236 |
| | | CUSTOMER DRAWING | RESTRICTED TO - |
| | | SCALE 8:1 | SHEET 1 OF 1 |
| | | | REV T |

202236