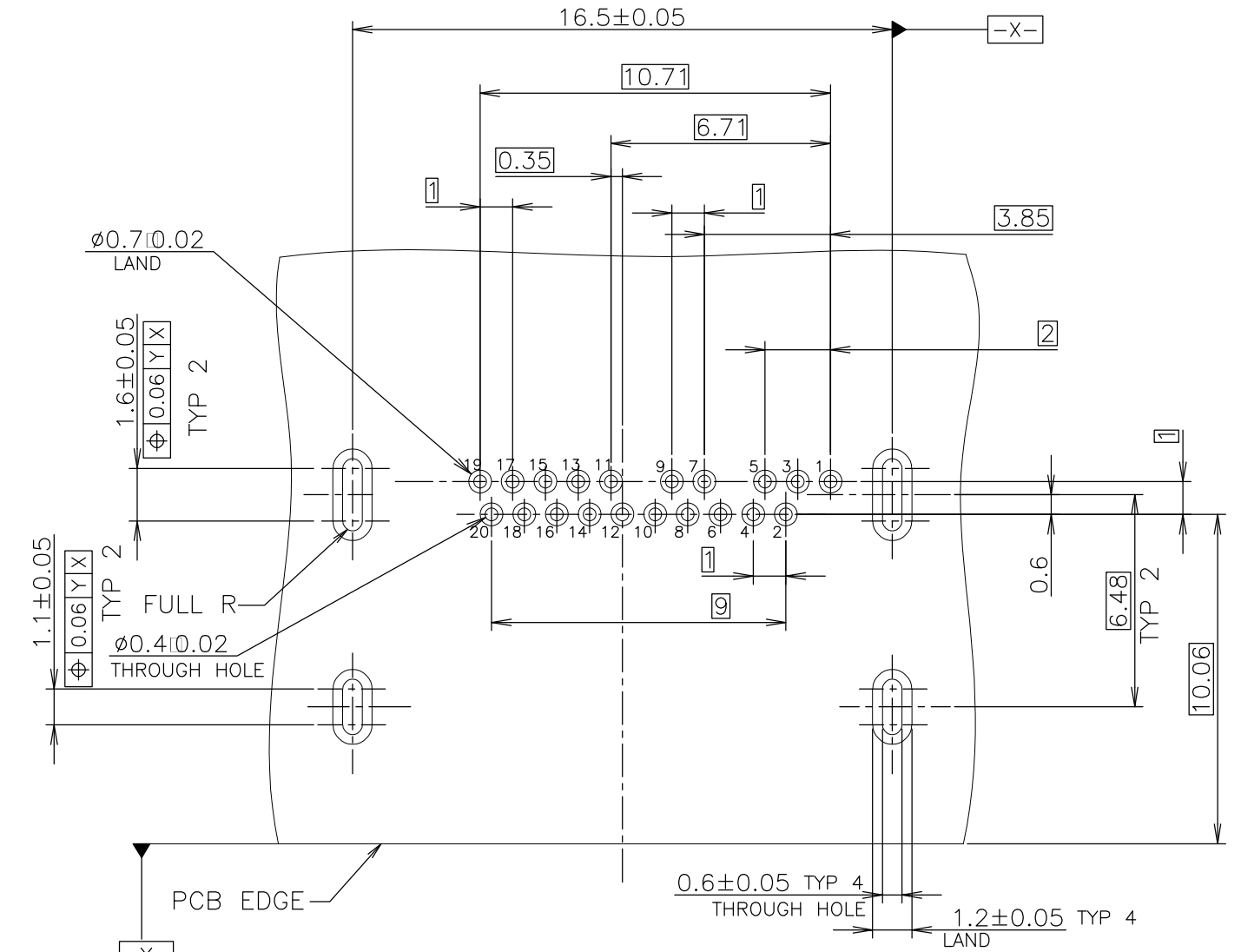
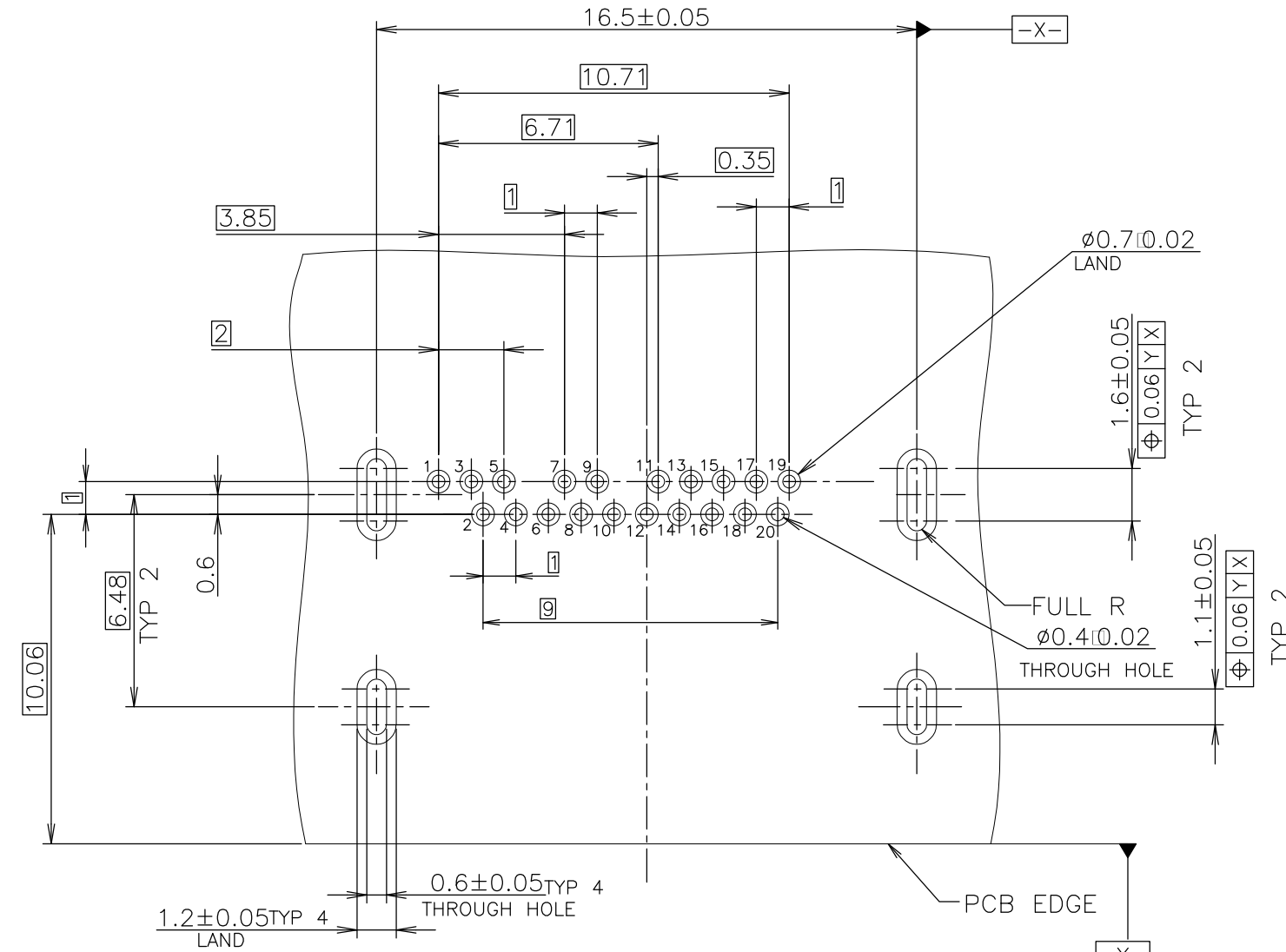
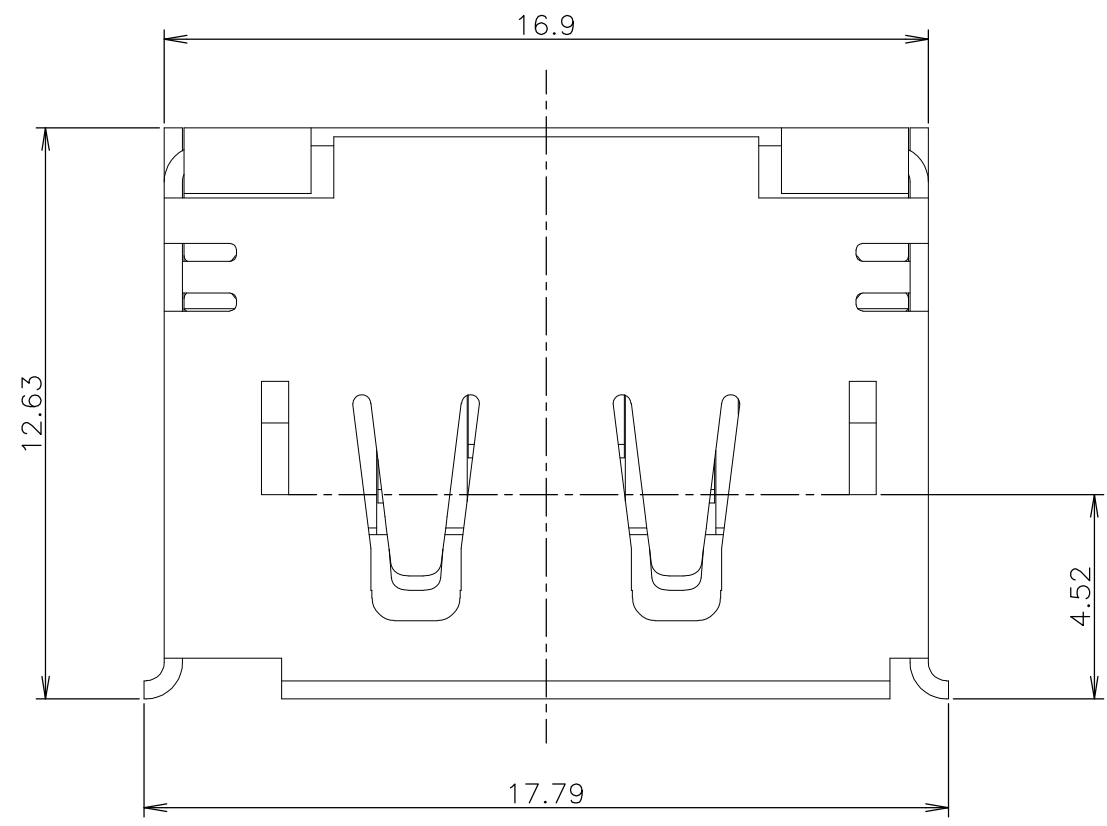


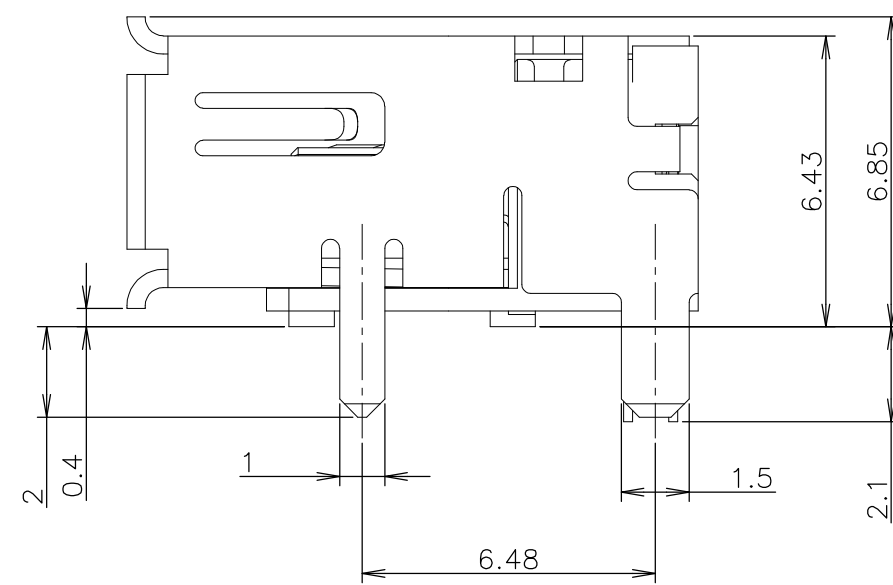
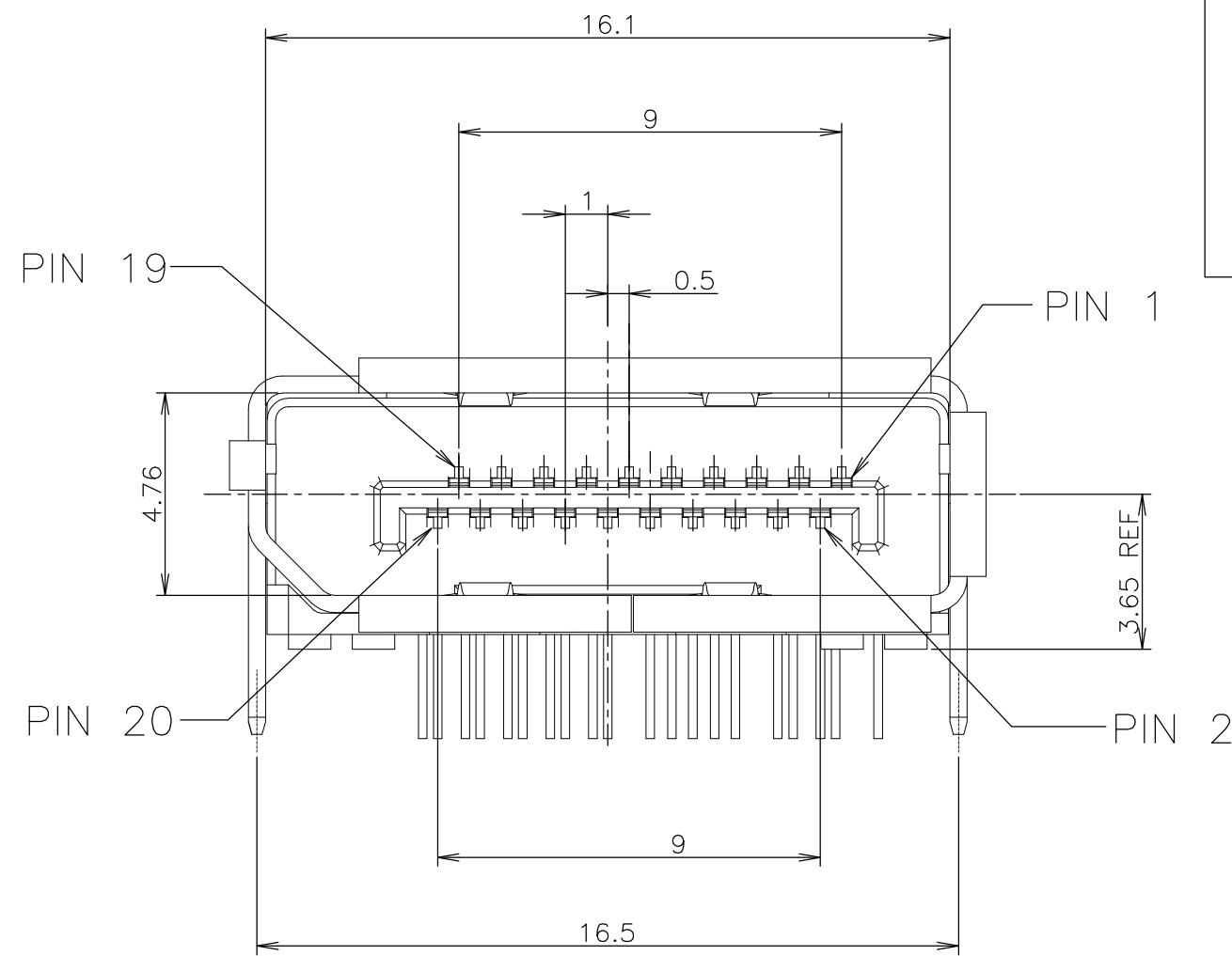
THIS DRAWING IS UNPUBLISHED. RELEASED FOR PUBLICATION JAN , 2008.  
 © COPYRIGHT 2008 BY TYCO ELECTRONICS CORPORATION. ALL RIGHTS RESERVED.

| LOC |     | DIST        |  | REVISIONS |  |         | DATE | DWN | APVD |
|-----|-----|-------------|--|-----------|--|---------|------|-----|------|
| P   | LTR | DESCRIPTION |  |           |  |         |      |     |      |
|     | A2  | REVISED     |  |           |  | 07JUL08 | Y.H  | K.I |      |



RECOMMENDED PCB LAYOUT (THICKNESS=1.6±0.1)  
BOTTOM VIEW

RECOMMENDED PCB LAYOUT (THICKNESS=1.6±0.1)  
TOP VIEW



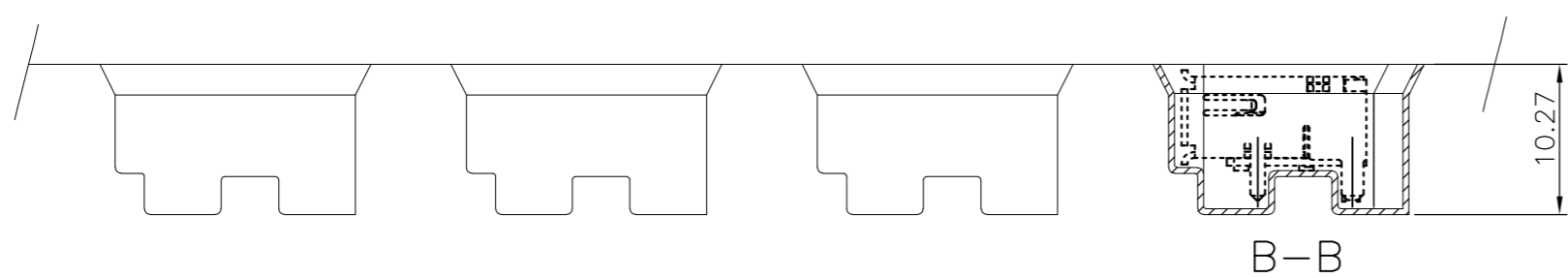
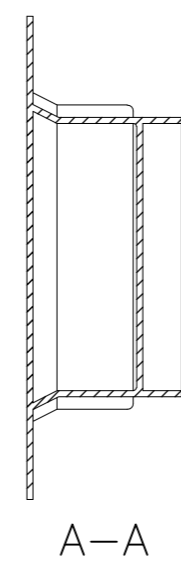
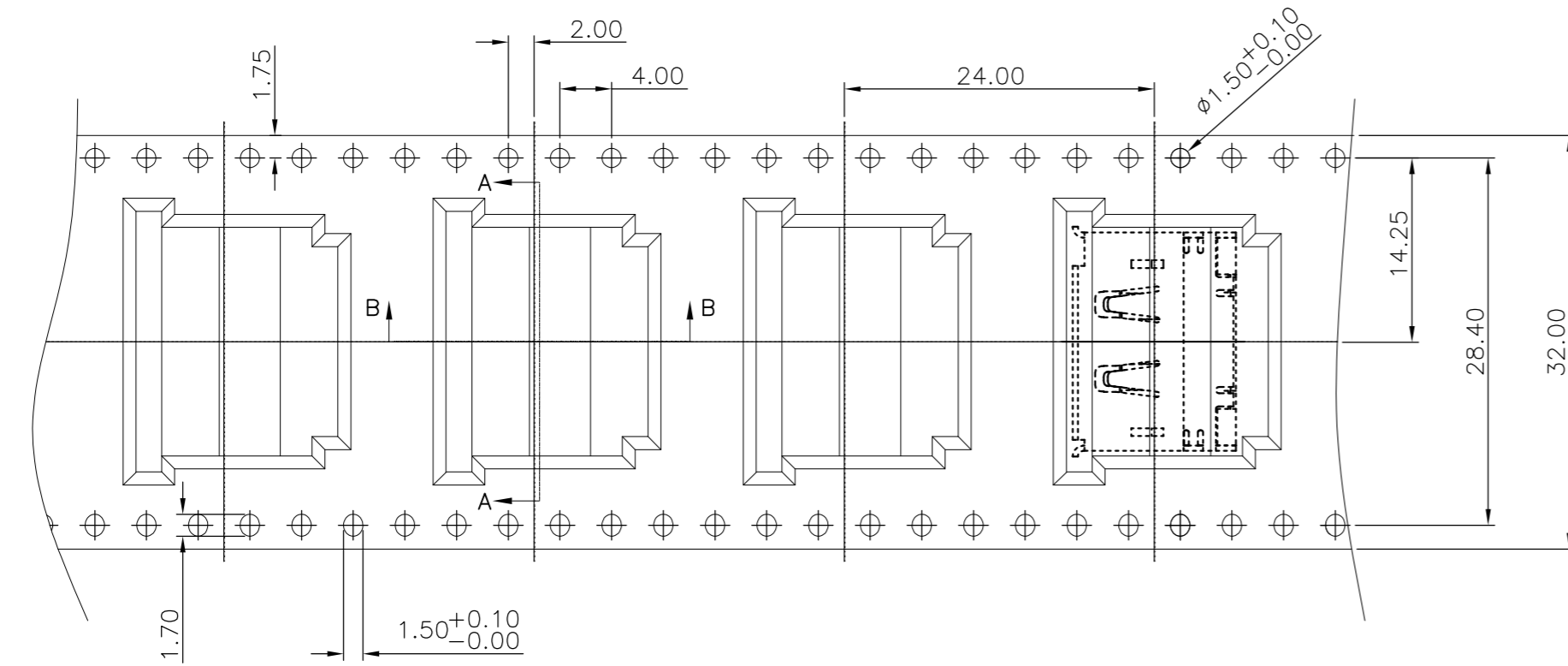
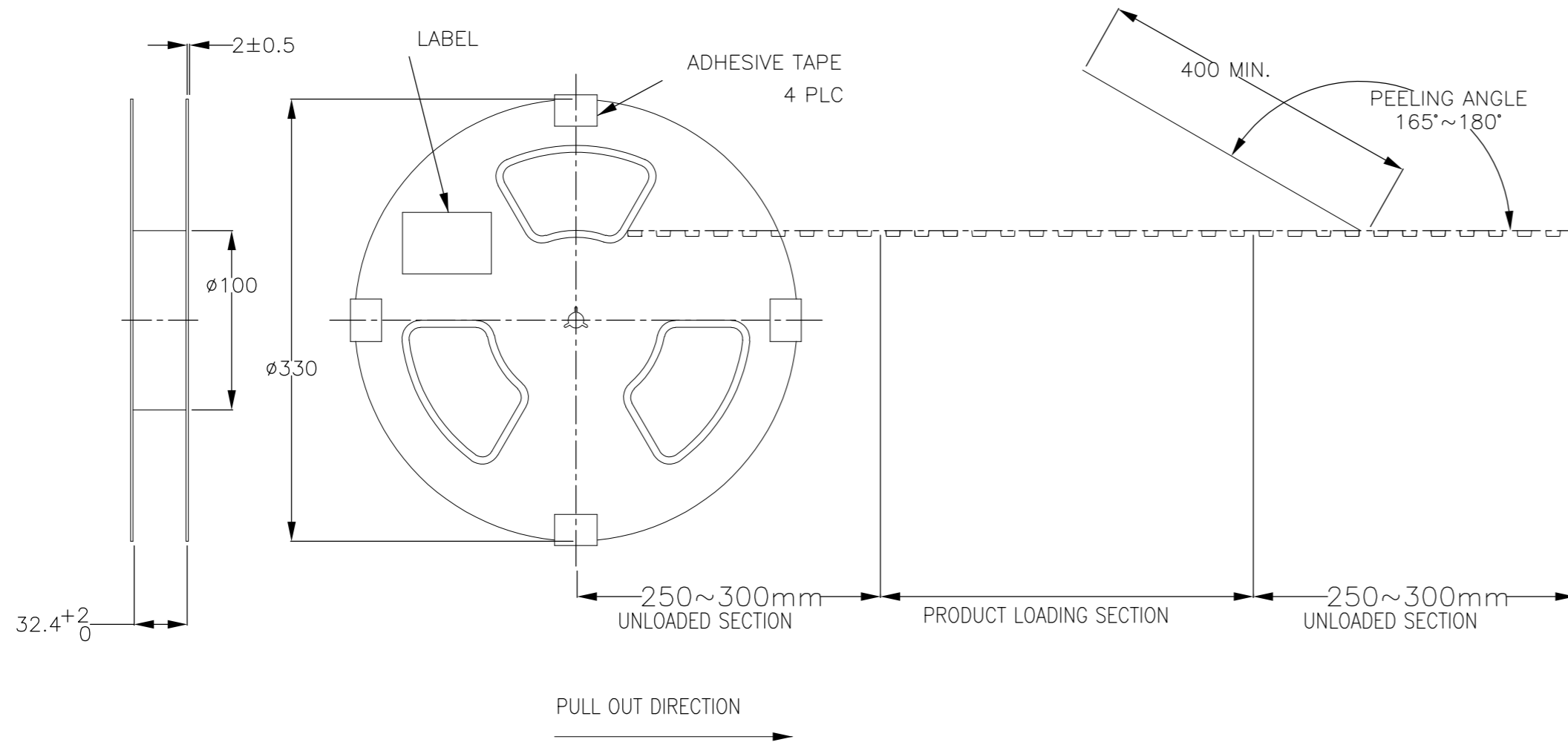
- MATERIAL:  
HOUSING: HIGH TEMPERATURE THERMAL PLASTIC, BLACK, UL94V-0.  
CONTACT: COPPER ALLOY.  
SHELL: COPPER ALLOY.
- FINISH:  
CONTACT:  
CONTACT AREA: 0.76 MINIMUM MICRON GOLD PLATING  
SOLDER TAIL AREA: 2.54 MINIMUM MICRON TIN PLATING.  
UNDER PLATING: 1.27 MINIMUM MICRON NICKEL PLATING OVERALL.  
SHELL: NICKEL PLATING OVERALL.

P/N: 2040451-1; AS SHOWN

|  |  |                                   |  |                              |
|--|--|-----------------------------------|--|------------------------------|
| THIS DRAWING IS A CONTROLLED DOCUMENT.   |  | DWN<br>Y.HIRATA<br>19MAR2008      | Tyco Electronics Corporation<br>Kawasaki, Japan    |                              |
| DIMENSIONS:<br>單位: 毫米<br>mm  |  | CHK<br>T.KUSUHARA<br>19MAR2008    | Tyco Electronics                                   |                              |
| TOLERANCES UNLESS OTHERWISE SPECIFIED:<br>一般公差   |  | APVD<br>T.KUSUHARA<br>19MAR2008   | RECEPTACLE ASSEMBLY<br>DISPLAYPORT RA TH 2ROW TINE |                              |
| 0 PLC ± 0.3<br>1 PLC ± 0.3<br>2 PLC ± 0.3<br>3 PLC ± 0.3<br>4 PLC ± 0.3<br>ANGLES ± 2' |  | PRODUCT SPEC<br>製品規格<br>108-78515 | SIZE<br>A2   | CAGE CODE<br>00779           |
| MATERIAL<br>材料   |  | FINISH<br>仕上                      | DRAWING NO<br>番号<br>C=2040451                      | RESTRICTED TO<br>—           |
| CUSTOMER DRAWING   |  | WEIGHT                            | SCALE<br>尺度<br>6:1                                 | SHEET<br>1 of 2<br>REV<br>A2 |

THIS DRAWING IS UNPUBLISHED. RELEASED FOR PUBLICATION JAN , 2008.  
 © COPYRIGHT 2008 BY TYCO ELECTRONICS CORPORATION. ALL RIGHTS RESERVED.

| LOC |     | DIST        |      | REVISIONS |      |    |    |
|-----|-----|-------------|------|-----------|------|----|----|
| J   |     | -           |      | 変更        | 変更   | 変更 | 変更 |
| P   | LTR | DESCRIPTION | DATE | DWN       | APVD |    |    |
| -   | -   | SEE SHEET 1 | -    | -         | -    |    |    |



- 1 PRIMARY PACKING: 250PCS /REEL;
- 2 PEELING RESISTANCE: 0.1~0.7N (10.2gf~71.4gf).
- 3 PEELING SPEED: 300mm/minutes.
- 4 CARRIER TAPES, COVER TAPES, REELS AND TAPED COMPONENTS MUST MEET THE REQUIREMENTS DEFINED PER EIA-481-B.

|  |  |                            |  |           |               |
|--|--|----------------------------|--|-----------|---------------|
| THIS DRAWING IS A CONTROLLED DOCUMENT.         |  | DWN                        | Tyco Electronics Corporation<br>Kawasaki, Japan    |           |               |
| DIMENSIONS:<br>単位: 概<br>mm                     |  | CHK                        | Tyco Electronics                                   |           |               |
| TOLERANCES UNLESS OTHERWISE SPECIFIED:<br>一般公差 |  | APVD                       | RECEPTACLE ASSEMBLY<br>DISPLAYPORT RA TH 2ROW TINE |           |               |
| 0 PLC ± 0.3                                    |  | PRODUCT SPEC<br>製品規格       |  | SIZE      | RESTRICTED TO |
| 1 PLC ± 0.3                                    |  | APPLICATION SPEC<br>取付適用規格 |  | A2        | -             |
| 2 PLC ± 0.3                                    |  | WEIGHT                     |  | CAGE CODE | DRAWING NO    |
| 3 PLC ± 0.3                                    |  | CUSTOMER DRAWING           |  | 00779     | 番号            |
| 4 PLC ± 0.3                                    |  | SCALE                      |  | C=2040451 | 番号            |
| ANGLES ± 2'                                    |  | SHEET                      |  | 2 of 2    | REV           |
| FINISH<br>仕上                                   |  | SCALE                      |  | NTS       | A2            |