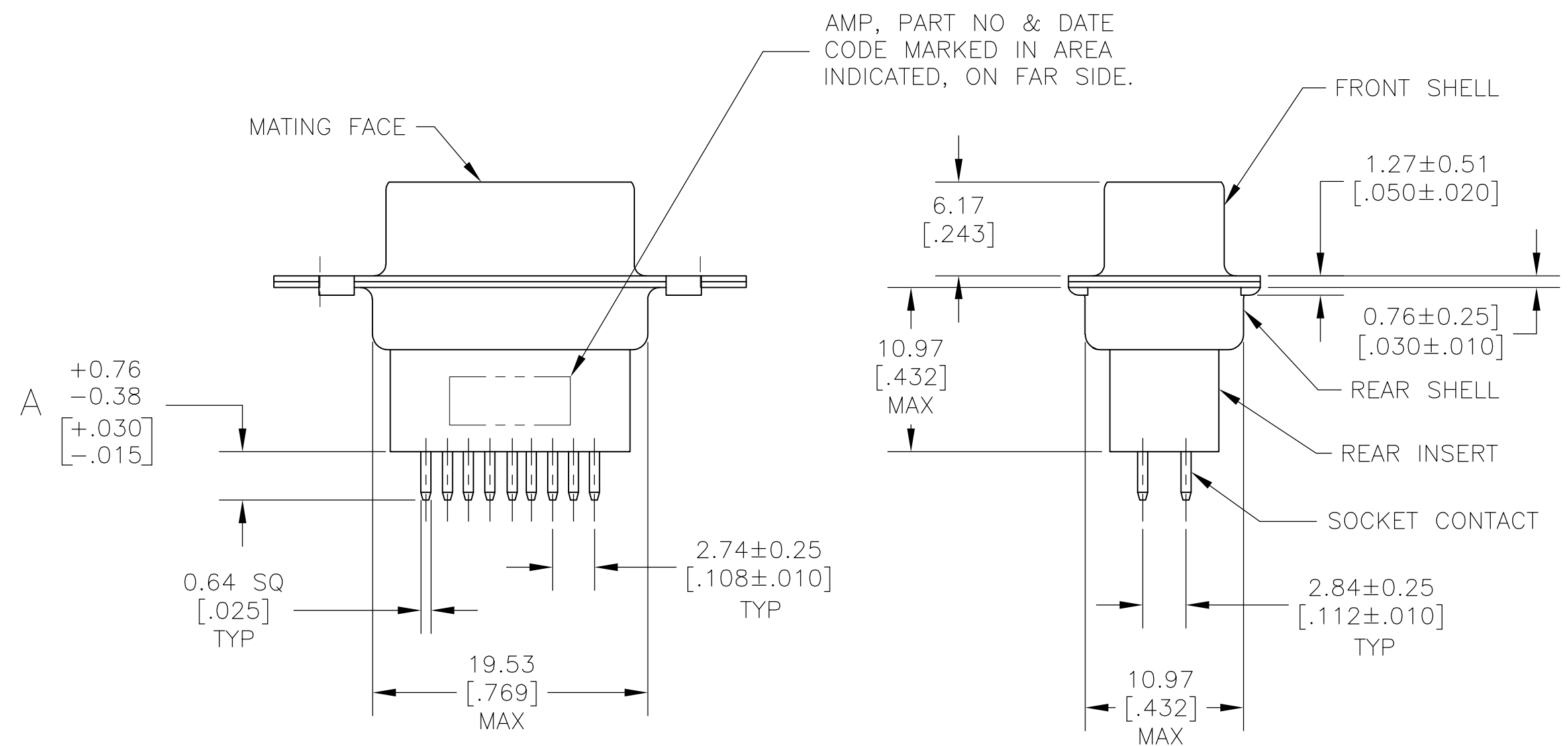
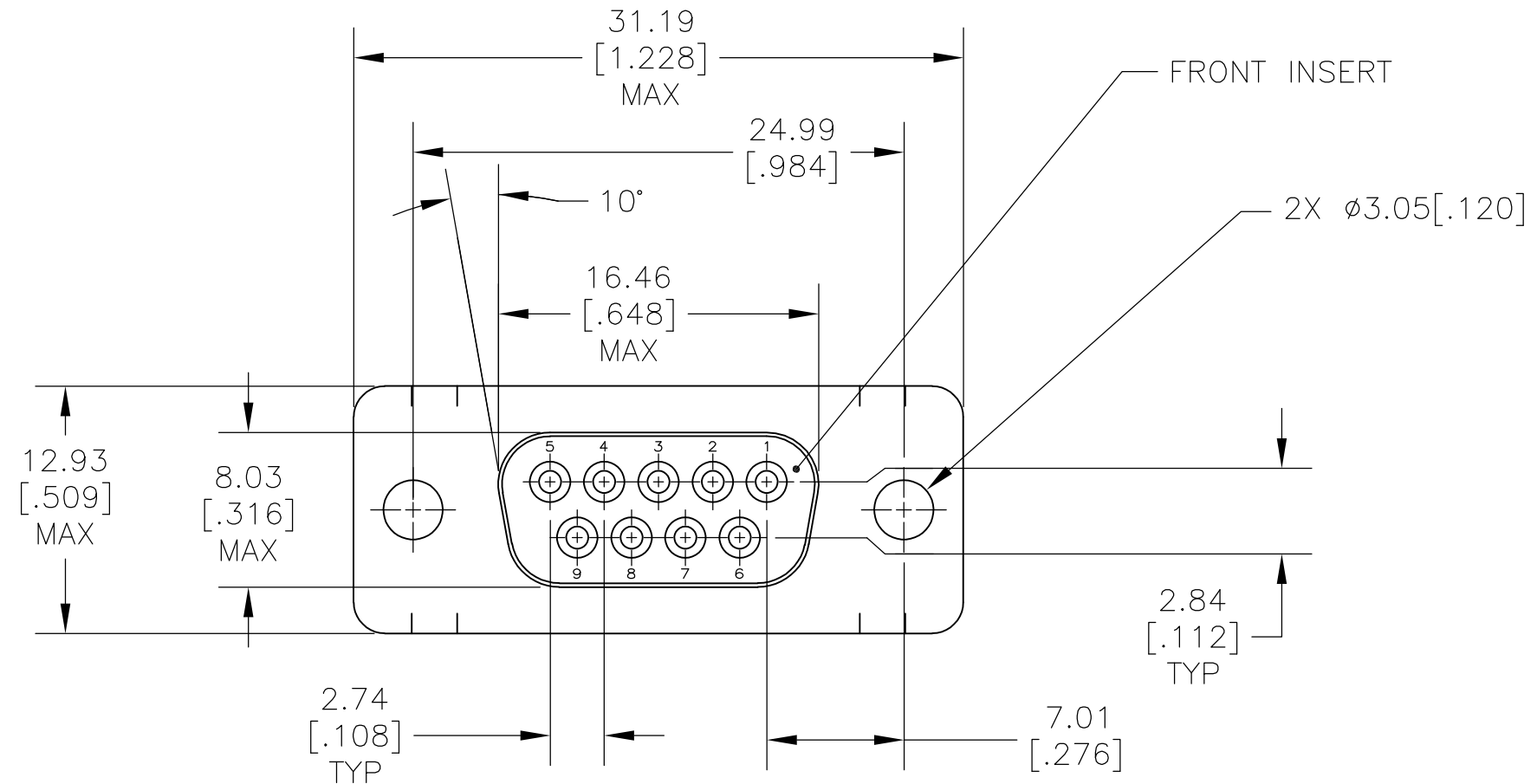


LOC	DIST	REVISIONS			
P	LTR	DESCRIPTION	DATE	DWN	APVD
GP	00	REVISED PER ECO-10-000073	22JAN2010	CJV	SB



- 1 MOLDED PARTS: GLASS-FILLED NYLON, UL94V-0 RATED, BLACK.
SHELLS: CARBON STEEL.
CONTACTS: PHOS BRONZE.
- 2 SHELLS: 5.08µm [.000200] MIN ZINC WITH YELLOW CHROMATE COATING.
CONTACTS: GOLD FLASH PLATED FOR LENGTH OF 3.81 [.150] MIN FROM MATING END,
2.54µm [.000100] MIN TIN-LEAD ON SOLDER END, BOTH OVER
1.27µm [.000050] MIN NICKEL.
- 3. NOTE DELETED.
- 4. NOTE DELETED.
- 5. NOTE DELETED.
- 6. NOTE DELETED.
- 7 SHELLS: 5.08µm [.000200] MIN ZINC WITH YELLOW CHROMATE COATING.
CONTACTS: GOLD PLATED FOR LENGTH OF 3.81 [.150] MIN FROM MATING END,
0.76µm [.000030] MIN GOLD IN MATED AREA,
2.54µm [.000100] MIN TIN-LEAD ON SOLDER END, BOTH OVER
1.27µm [.000050] MIN NICKEL.
OR
GOLD FLASH OVER PALLADIUM-NICKEL PLATED FOR LENGTH OF
3.81 [.150] MIN FROM MATING END,
0.76µm [.000030] MIN TOTAL IN MATED AREA,
2.54µm [.000100] MIN TIN-LEAD ON SOLDER END, BOTH OVER
1.27µm [.000050] MIN NICKEL.

OBSOLETE	-	-	205734-9
SUPSD BY 205734-7	2	4.78 [.188]	205734-8
	7	4.78 [.188]	205734-7
SUPSD BY 205734-5	-	-	205734-6
	7	16.54 [.651]	205734-5
	2	10.85 [.427]	205734-4
SUPSD BY 205734-5	7	10.85 [.427]	205734-3
SUPSD BY 205734-1	2	3.18 [.125]	205734-2
	7	3.18 [.125]	205734-1
	CONTACT FINISH		A
			PART NUMBER

THIS DRAWING IS A CONTROLLED DOCUMENT.		DWN J. POLIGNONE 01FEB07	Tyco Electronics Corporation Harrisburg, Pa 17105-3608	
DIMENSIONS: mm [INCHES]		CHK E. BRIANT 01FEB07	NAME RECEPTACLE ASSEMBLY, SIZE 1, 9 POSN, VERTICAL, AMPLIMITE HDP	
TOLERANCES UNLESS OTHERWISE SPECIFIED:		APVD E. BRIANT 01FEB07	PRODUCT SPEC 108-40025	
0 PLC ± -		APPLICATION SPEC 114-40013		
1 PLC ± -		WEIGHT -		
2 PLC ± -		SCALE A2 00779 C=205734		
3 PLC ± .005		SHEET 1 OF 1		
4 PLC ± -		REV Y		
ANGLES ± -		RESTRICTED TO -		
FINISH		CUSTOMER DRAWING		