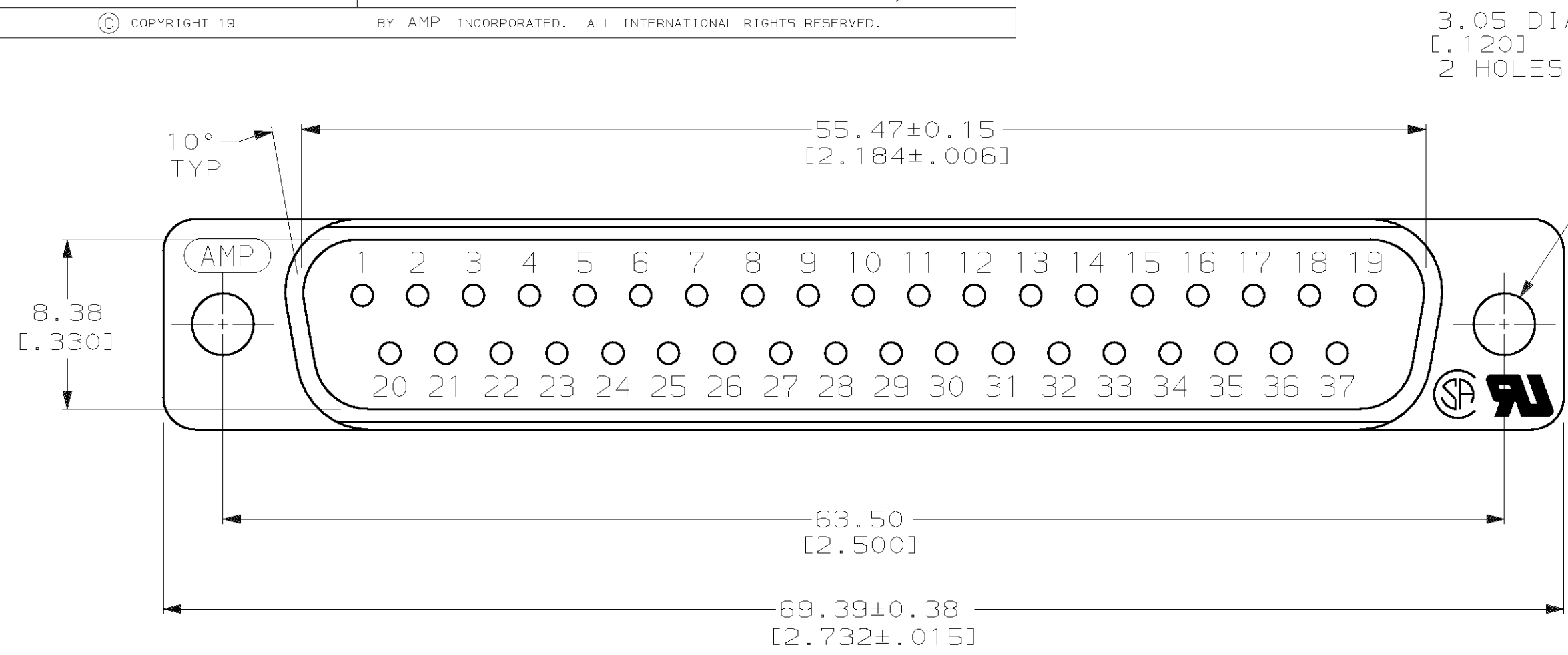
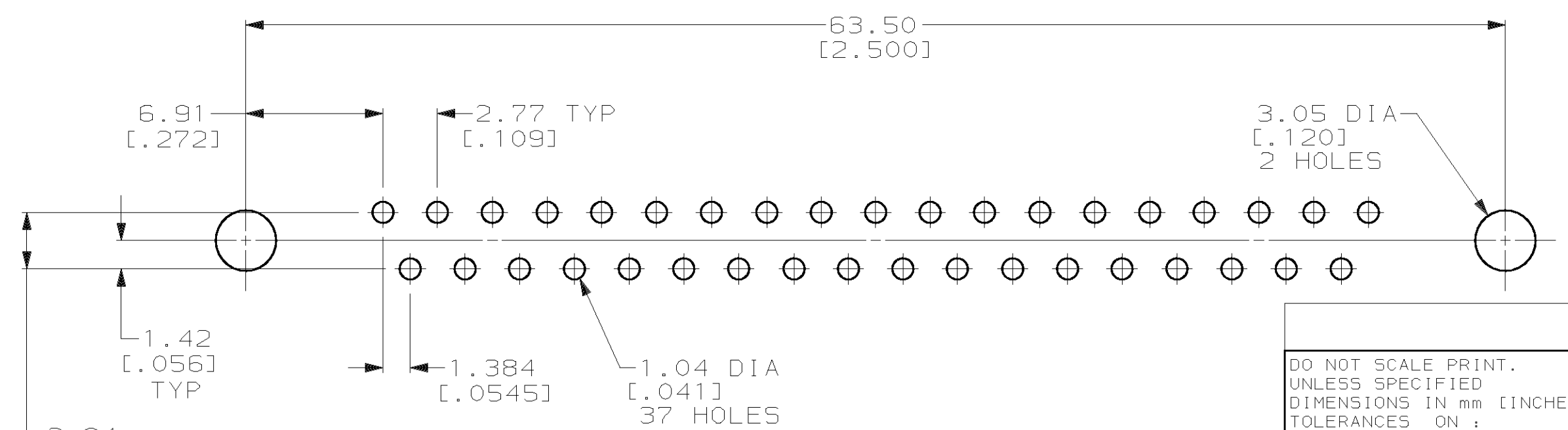
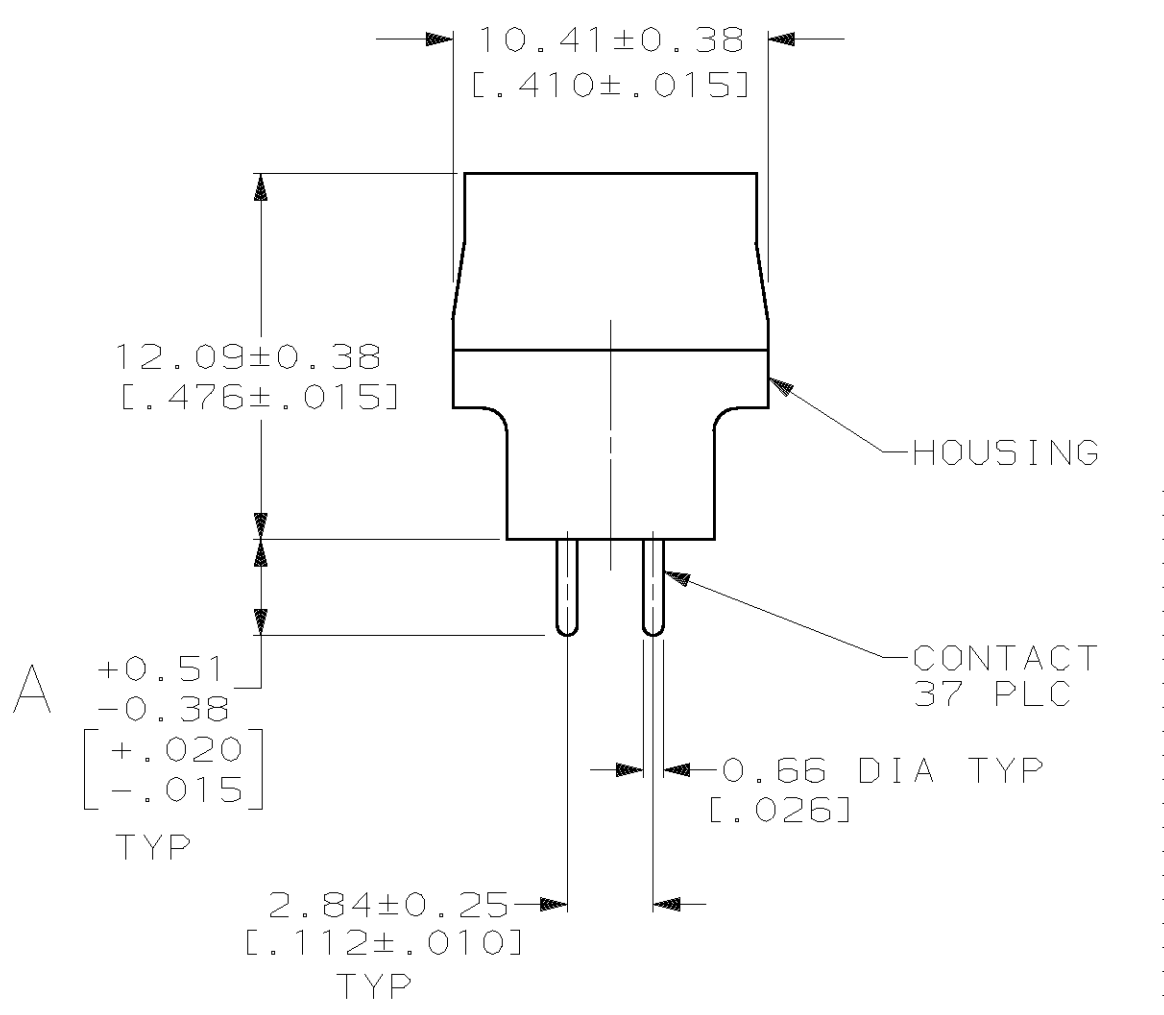
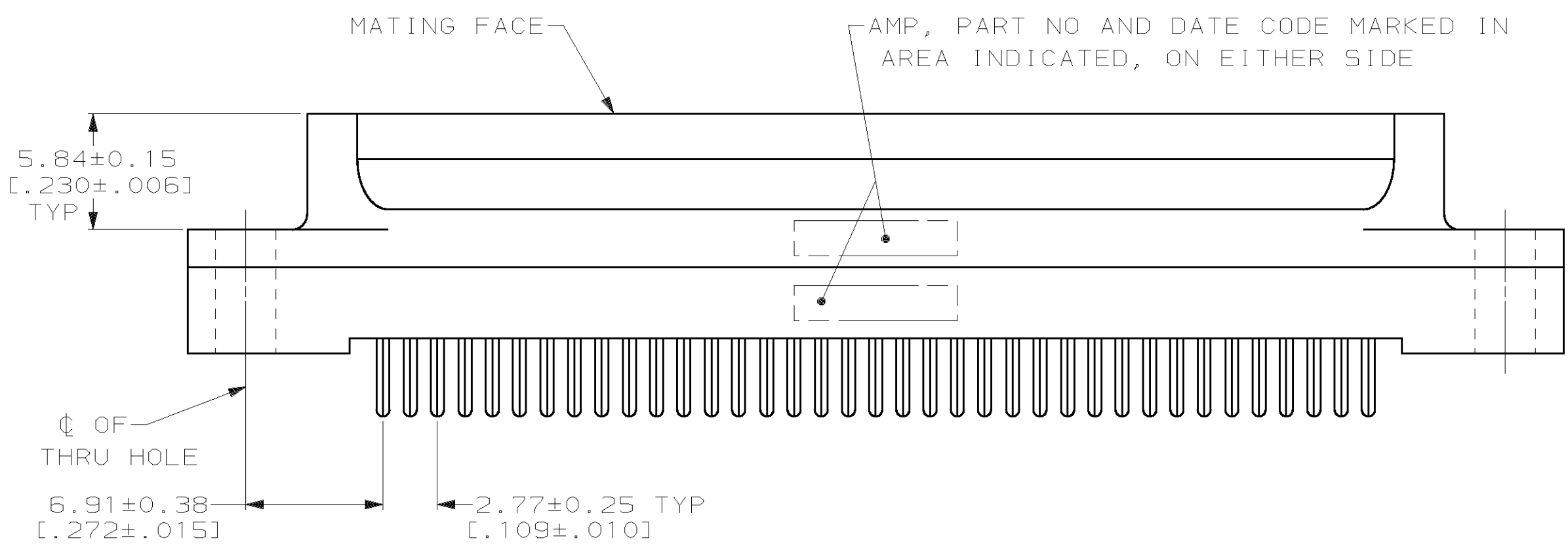


THIS DRAWING IS UNPUBLISHED. RELEASED FOR PUBLICATION
 © COPYRIGHT 19 BY AMP INCORPORATED. ALL INTERNATIONAL RIGHTS RESERVED.

LOC	DIST	P	F	ZONE	LTR	DESCRIPTION	DATE	APPD
BD	77				E	REDRAWN & REVISED, ECN BD3361	11-89	-
					F	OBS-4, -5, -6 PER EC 0020-964-93	04/11/94	CR
					G	SUPERSEDED -2 PER EC 0020-506-96	06 MAR 97	RT
					H	REV PER EC 0640-421-98	17 MAR 99	RT



- 1 HOUSING: BLACK POLYESTER, UL 94V-0 RATED; CONTACT: BRASS PER MIL-C-50.
- 2 GOLD PLATING PER MIL-G-45204, TIN PLATING PER MIL-T-10727, NICKEL PLATING PER QQ-N-290.
- 3 GOLD PLATED FOR A LENGTH OF 3.81 [.150] MIN FROM MATING END, GOLD FLASH IN MATED AREA, 2.54µm [.000100] MIN TIN OR TIN-LEAD FOR A LENGTH OF DIMENSION A FROM OPPOSITE END, ALL OVER 1.27µm [.000050] MIN NICKEL.
- 4 0.76µm [.000030] MIN GOLD FOR A LENGTH OF 3.81 [.150] MIN FROM MATING END, 2.54µm [.000100] MIN TIN OR TIN-LEAD FOR A LENGTH OF DIMENSION A FROM OPPOSITE END, ALL OVER 1.27µm [.000050] MIN NICKEL.



	A	CONTACT FINISH	PART NO
OBSOLETE	6.35 [.250]	4	208009-6
OBSOLETE	6.35 [.250]	3	208009-5
OBSOLETE	4.32 [.170]	4	208009-4
	4.32 [.170]	3	208009-3
SUPSD BY 208009-1	3.18 [.125]	4	208009-2
	3.18 [.125]	3	208009-1

RECOMMENDED PC BOARD MOUNTING DIMENSIONS

DO NOT SCALE PRINT. UNLESS SPECIFIED DIMENSIONS IN mm [INCHES] TOLERANCES ON: 2 PLC DEC ± 0.13 [.005] 3 PLC DEC ± - ANGLES ± 2°	DR 11-14-89 J McCLINTON CHK 1-31-90 R.STONE APPD 2-2-90 S.SCHIEFERLY APPD 2-5-90 C.ROHDE PRODUCT SPEC 108-40025 APPLICATION SPEC - WEIGHT -	AMP INCORPORATED Harrisburg, Pa. 17105 NAME PLUG ASSEMBLY, SIZE 4, 37 POSN, VERTICAL, AMPLIMITE® HD-20 SIZE C CAGE CODE 00779 DRAWING NO 208009 SCALE 4:1 SHEET 1 OF 1
--	--	--