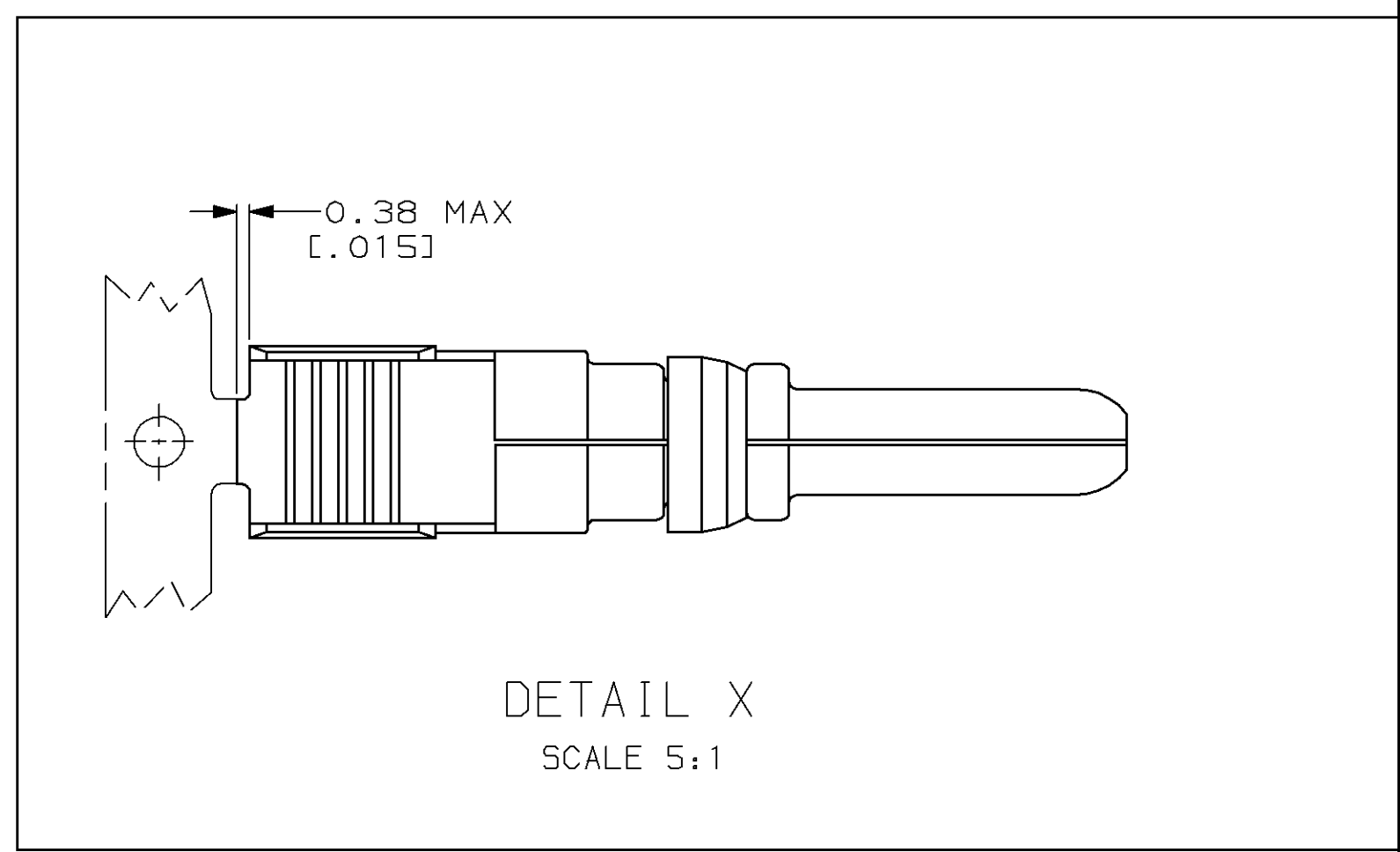
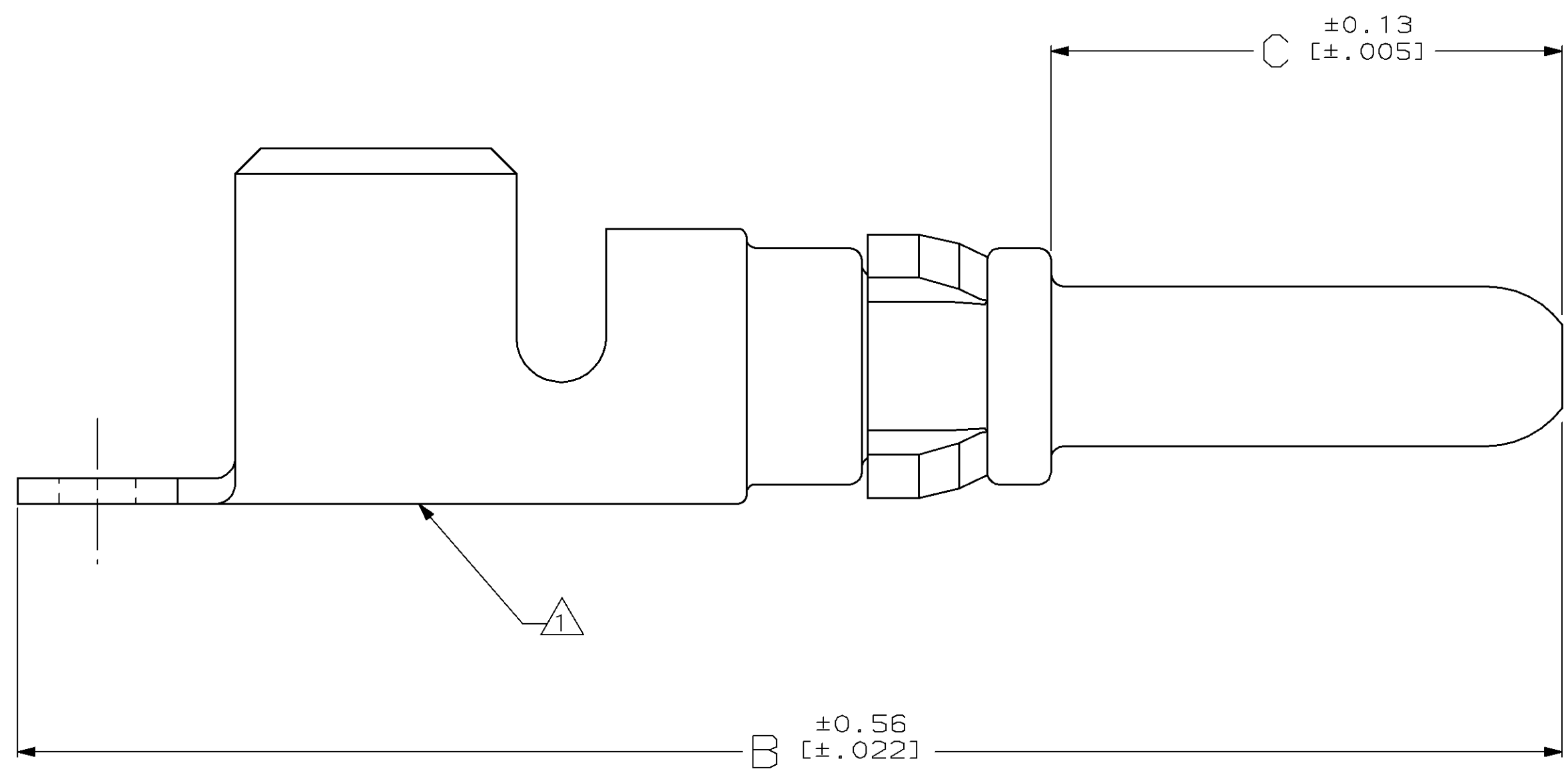
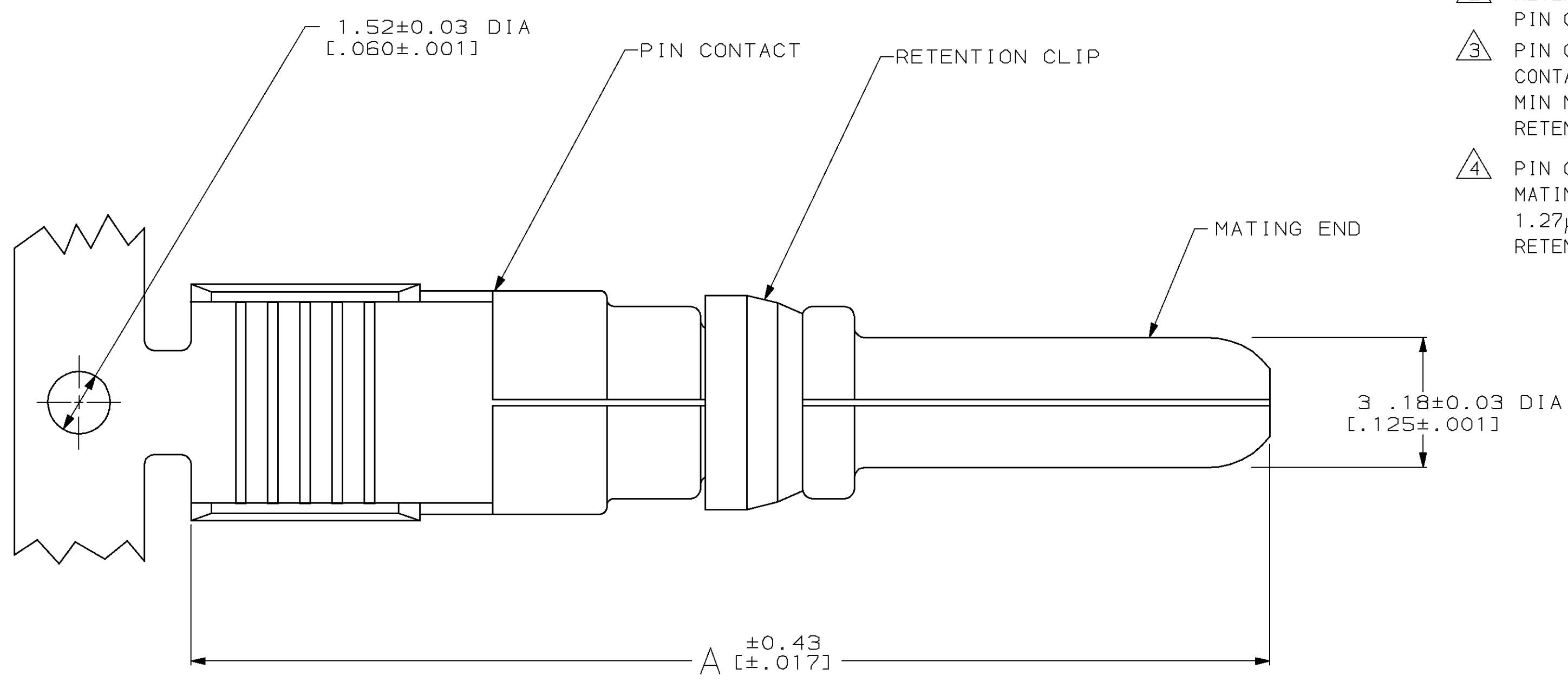


LOC	DIST	REVISIONS					
FT	13	P	LTN	DESCRIPTION	DATE	OWN	APVD
		0		RLSE PER NPR 5498 WAS 95-5019-9	21 MAR 96	-	-
		A		ADDED -1, -3, -5, -7 PER EC	21 MAR 97	CO	AF
		B		REV PER EC 0320-399-97	22 JAN 98	MB	RW

- 1 WIRE SIZE AND AMP LOGO APPEAR ON OUTSIDE OF WIRE BARREL.
- 2 RETENTION CLIP: PHOSPHOR BRONZE PER QQ-B-750.
PIN CONTACT: COPPER PER QQ-C-576.
- 3 PIN CONTACT: 0.76µm [.000030] MIN GOLD PER MIL-G-45204 ON CONTACT MATING END, GOLD FLASH ON REMAINDER, ALL OVER 1.27µm [.000050] MIN NICKEL PER QQ-N-390.
RETENTION CLIP: 2.54µm [.000100] MIN NICKEL PER QQ-N-290.
- 4 PIN CONTACT: 5.08µm [.000200] MIN SILVER PER QQ-S-365 ON CONTACT MATING END, 1.27µm [.000050] MIN SILVER ON REMAINDER, ALL OVER 1.27µm [.000050] MIN NICKEL PER QQ-N-290.
RETENTION CLIP: 2.54µm [.000100] MIN NICKEL PER QQ-N-290.



3	12.32 [.485]	-	28.52 [1.123]	DETAIL X	213841-8
4	12.32 [.485]	-	28.52 [1.123]	DETAIL X	213841-7
3	12.32 [.485]	32.84 [1.293]	28.52 [1.123]	-	213841-6
4	12.32 [.485]	32.84 [1.293]	28.52 [1.123]	-	213841-5
3	10.16 [.400]	-	26.37 [1.038]	DETAIL X	213841-4
4	10.16 [.400]	-	26.37 [1.038]	DETAIL X	213841-3
3	10.16 [.400]	30.68 [1.208]	26.37 [1.038]	-	213841-2
4	10.16 [.400]	30.68 [1.208]	26.37 [1.038]	-	213841-1
FINISH	C	B	A	LOOSE PIECE	PART NUMBER

THIS DRAWING IS A COMPUTER GENERATED DRAWING. IT IS SUBJECT TO CHANGE AND THE CONTROLLING ENGINEERING DEPARTMENT SHALL BE CONTACTED FOR THE LATEST REVISION.

DWG: C. OBERMAN 21 MAR 96
CHK: R. STONE 25 MAR 96
APP'D: G. STEINHAUER 26 MAR 96

AMP INCORPORATED
Harrisburg, PA 17105-3508

NAME: PIN CONTACT ASSEMBLY
8-10 AWG, POWERBAND,
METRIMATE

SIZE: A1 CAGE CODE: 00779 DRAWING NO: C-213841

WEIGHT: -

CUSTOMER DRAWING

SCALE: 10:1 SHEET: 1 OF 1 REV: B