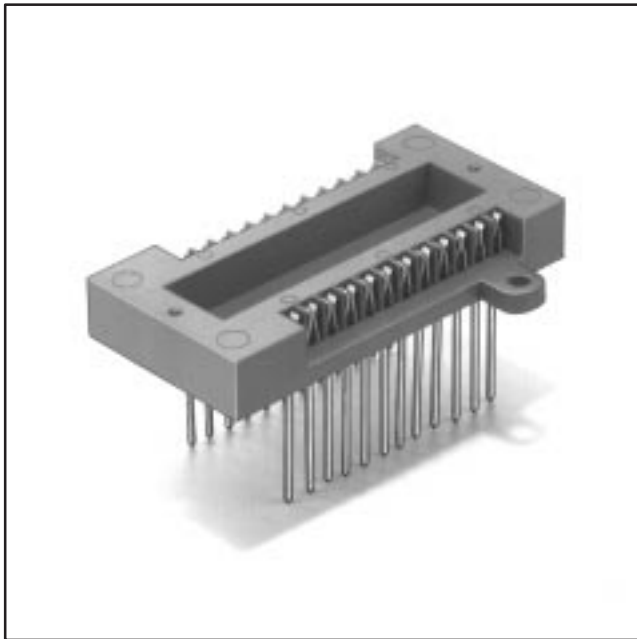


Receptacles for DIP Sockets



- Matching receptacle for every ZIP DIP Socket, including “Universal DIP” and “Shrink DIP”
- Mounting flanges hold receptacle to board
- Pre-tapped holes in receptacle body mate with screw-hole in socket to hold socket firmly to receptacle (2 screws provided with each receptacle)
- Available in wire-wrap and solder-tail options, with and without mounting flanges

Date Issued: February 19, 2001

TS-0454-12
Sheet 1 of 3

43

Physical

Insulation

Material: Glass Filled Polysulfone
Flammability: UL 94V-0
Color: Green

Marking: 3M Logo & Part Number Identifier

Contact

Material: Beryllium Copper
Plating: 30 μ m (0.76 μ m) Gold over 50 μ m (1.3 μ m) Nickel

Environmental

Current Rating: 1 Amp
Insulation Resistance: $>1 \times 10^9 \Omega$ at 500 Vdc
Withstanding Voltage: 1000 Vrms at Sea Level

Environmental

Operating Temperature Rating: - 55° C to + 150° C

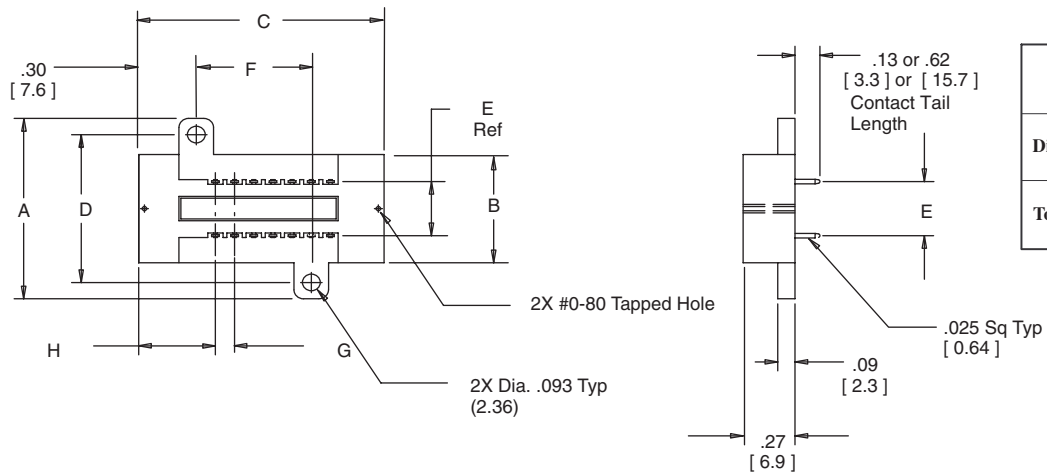
3M Electronic Handling and Protection Division

6801 River Place Blvd.
Austin, TX 78726-9000

For technical, sales or ordering information call 800-328-0411
or visit our website: <http://www.3M.com/ehpd>

Receptacle for DIP Sockets

Receptable Part Numbers	Dimensions							
	A	B	C	D	E	F	G	H
214-3339-XX	1.00 [25.4]	.60 [15.2]	1.28 [32.5]	.820 [20.83]	.300 [7.62]	.600 [15.26]	.100 [2.54]	.40 [10.2]
216-3340-XX	.96 [24.4]	.56 [14.2]	1.37 [34.8]	.773 [19.63]	.300 [7.62]	.700 [17.78]		
218-3341-XX	.95 [24.1]	.55 [14.0]	1.49 [37.8]	.770 [19.56]		.804 [20.42]		
220-3342-XX	1.00 [25.4]	.60 [15.2]	1.58 [40.1]	.820 [20.83]		.900 [22.86]		
222-3343-XX	1.06 [26.9]	.65 [16.5]	1.69 [42.9]	.870 [22.09]	.400 [10.16]	1.005 [25.53]		
224-1275-XX	1.26 [32.0]	.86 [21.8]	1.77 [45.0]	1.080 [27.43]	.600 [15.24]	1.100 [7.62]		
224-5248-XX	.96 [24.4]	.56 [14.2]		.773 [19.63]	.300 [7.62]			
228-1277-XX	1.26 [32.0]	.86 [21.8]	1.98 [50.3]	1.085 [27.56]	.600 [15.24]	1.300 [33.02]		
228-4817-XX	1.06 [26.9]	.66 [16.8]		.887 [22.53]	.400 [10.16]	1.301 [33.05]		
228-1290-XX	1.09 [27.9]	.70 [17.8]		.92 [23.4]		.970 [24.74]		
232-1285-XX	1.25 [32.0]	.86 [21.9]	2.17 [55.2]	1.08 [27.5]	.600 [15.24]	1.500 [38.10]	.100 [2.54]	.40 [10.2]
240-3639-XX	1.66 [42.2]	1.26 [32.0]	2.58 [65.5]	1.480 [37.59]	1.000 [25.4]	1.900 [48.26]		
240-1280-XX	1.27 [32.3]	.86 [21.8]		1.085 [27.56]	.600 [15.24]	1.900 [48.26]		
242-1293-XX	1.30 [33.0]	.90 [22.9]	2.08 [52.9]	1.12 [28.5]	.600 [15.24]	1.460 [37.08]	.070 [1.78]	.41 [10.4]
242-1281-XX	1.26 [32.0]	.86 [21.8]	2.68 [68.1]	1.080 [27.43]	.600 [15.24]	2.00 [50.80]	.100 [2.54]	.40 [10.2]
248-1282-XX	1.25 [31.8]		2.98 [75.8]	1.070 [27.18]	.600 [15.24]	2.500 [63.50]		
264-1300-XX	1.52 [38.5]	1.11 [28.3]	2.85 [72.5]	1.34 [34.0]	.800 [20.32]	2.230 [56.64]	.070 [1.78]	.41 [10.4]
264-4493-XX	1.70 [43.2]	1.30 [33.0]	3.95 [100.3]	1.520 [38.61]	.900 [22.86]	3.243 [82.37]	.100 [2.54]	.50 [12.7]
290-1294-XX	1.61 [40.8]	1.19 [30.2]	3.77 [95.7]	1.42 [36.0]		3.150 [80.01]	.070 [1.78]	.41 [10.4]



Dimension	Tolerance	
	inch	mm
	.00 (.0)	.000 (.00)
Tolerance	± .010 (± .25)	± .005 (± .13)

TS-0454-12
Sheet 2 of 3

Receptacles for DIP Sockets

Ordering Information			
Receptable Part Numbers	Contact Quantity	Dimensions	
		Contact Spacing	Distance Between Rows
3 214-3339-XX-0602J	14	.100 [2.54]	.300 [7.62]
3 216-3340-XX-0602J	16		
3 218-3341-XX-0602J	18		
3 220-3342-XX-0602J	20		
3 222-3343-XX-0602J	22		
1 224-1275-XX-0602J	24		.600 [15.24]
3 224-5248-XX-0602J			.300 [7.62]
1 228-1277-XX-0602J	28		.600 [15.24]
3 228-4817-XX-0602J			.400 [10.16]
2 228-1290-XX-0602J			.070 [1.78]
1 232-1285-XX-0602J		.600 [15.24]	
3 240-3639-XX-0602J	40	.100 [2.54]	1.000 [25.40]
1 240-1280-XX-0602J		.600 [15.24]	
2 242-1293-XX-0602J	.070 [1.78]		
1 242-1281-XX-0602J	.100 [2.54]		
1 248-1282-XX-0602J	48	.800 [20.32]	
2 264-1300-XX-0602J	64		.070 [1.78]
3 264-4493-XX-0602J			.100 [2.54]
2 290-1294-XX-0602J	90	.070 [1.78]	.900 [22.86]

Contact Tail Length:

XX = 09, .13 [3.3] Solder Tail w/ flanges
 = 19, .62 [15.8] Wire Wrap w/ flanges
 = 29, .13 [3.3] Solder Tail w/out flanges
 = 39, .62 [15.8] Wire Wrap w/out flanges

- 1 Available with -09, -19, -29 and -39 options.
- 2 Only available with the -09 & -29 option for the .070" (1.78 mm) spacing
- 3 Only available with -09 and -19 options

Dimension	Tolerance $\frac{\text{inch}}{\text{(mm)}}$	
		.00 (.0)
Tolerance	$\pm .010$ ($\pm .25$)	$\pm .005$ ($\pm .13$)

TS-0454-12
 Sheet 3 of 3

3M Electronic Handling and Protection Division

6801 River Place Blvd.
 Austin, TX 78726-9000

For technical, sales or ordering information call **800-328-0411**
 or visit our website: <http://www.3M.com/ehpd>