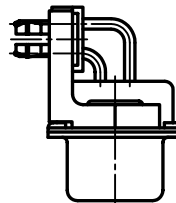
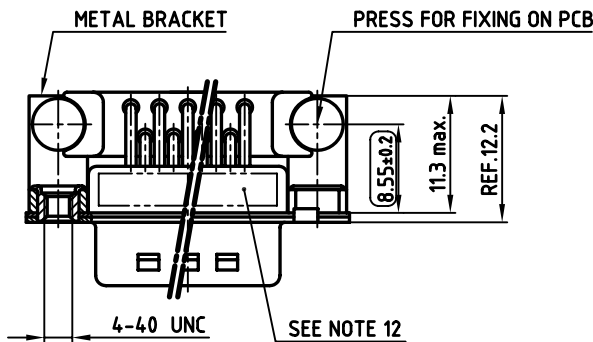
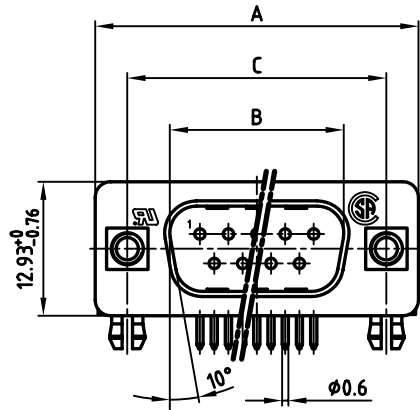
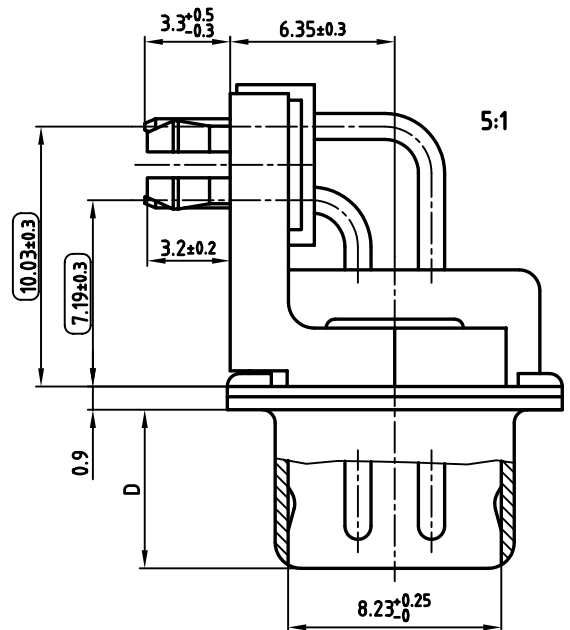


used for: D-SUB FILTER

POS.	A _{-0.76}	B _{+0.25}	C	D _{-0.3}	Part NO.
9	31.19	16.79	25.00 ^{+0.12} _{-0.13}	6.12	241A16060X
15	39.52	25.12	33.30 ^{+0.15} _{-0.1}	6.12	241A16070X
25	53.42	38.84	47.04 ^{+0.13}	5.99	241A16080X
37	69.70	55.30	63.50 ^{+0.13}	5.99	241A16090X



NOTES:

1. METALSHELLS: STEEL; min. 320µ" TIN
2. INSULATORS: PBT GF UL 94 V-0, BLACK
3. CONTACTS: COPPER ALLOY
PLATING: 8µ" HARD GOLD OVER min. 50µ" NICKEL
4. METAL BRACKET: STEEL; min. 320µ" TIN over 80µ" NICKEL
5. THREADED INSERT: COPPER ALLOY; min. 200µ" TIN over 80µ" NICKEL
6. PCB-SNAP: COPPER ALLOY; min. 200µ" TIN over 80µ" NICKEL
PCB-HOLE: Ø3.1±0.1; PCB THICKNESS 1.6mm
7. FIXING-PLATE: PBT GF UL 94 V-0, BLACK
8. P.C.B. HOLE DRILLINGS ON SHEET 2
9. CAPACITANCE: 1300pF ±20%
10. DIELECTRIC WITHSTANDING VOLTAGE: 424 VDC
11. MAXIMUM TORQUE VALUE FOR THREAD: 6" LBS
12. CONNECTOR IS PART MARKED: PART-NO. CONEC Y/WW
13. = CHECK DIMENSION

Directive 2002/95/EC
RoHS
Compliant

APPROVAL # FREIGABE # DEBLOCAGE # AUTORIZACION # APPROVAL

CUSTOMER APPROVAL DATE:

NAME: _____ TITLE: _____

COMPANY NAME: _____

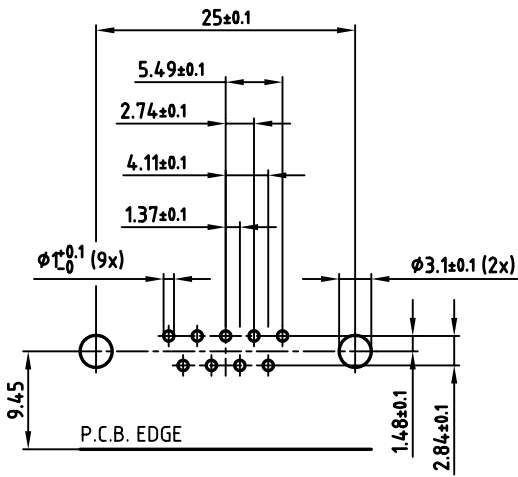
APPROVAL # FREIGABE # DEBLOCAGE # AUTORIZACION # APPROVAL

THIS DRAWING MAY NOT BE COPIED OR REPRODUCED IN ANY WAY, AND MAY NOT BE PASSED ON TO A THIRD PARTY, WITHOUT WRITTEN PERMISSION. OWNERSHIP AND COPYRIGHT OF CONEC Gmbh DO NOT ALTER CAD DRAWING BY HAND

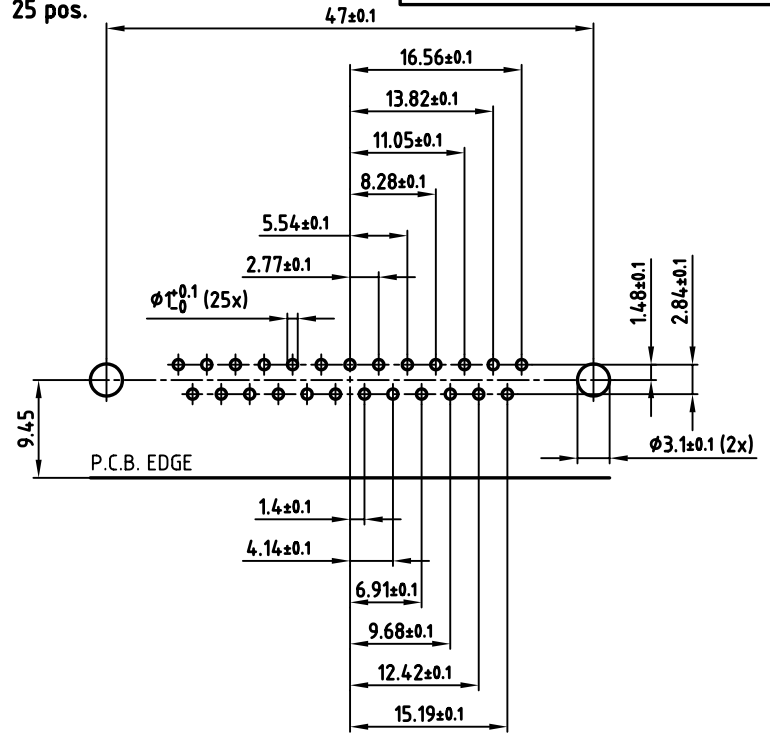
rev.	description	date	name

tolerance		scale:	2:1 (5:1)
	dim. in mm	material:	SEE NOTES
2004	date	name	D-SUB FILTER MALE 90° 9-37pos. 0.318inch threaded insert, metal bracket, fixing-plate, clip
drawn	04.06.	Lehmenkühler	
appd.	04.06.	Kühle	
norm	DIN 41652		
d-old			dwg no: AutoCAD 2004
CONEC®			DIN-A
			24K1A542
			3
			sh:1/2
			part no: SEE TABLE

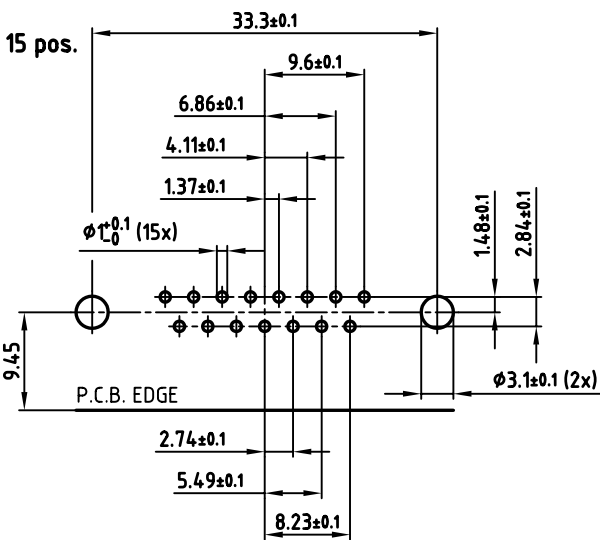
9 pos.



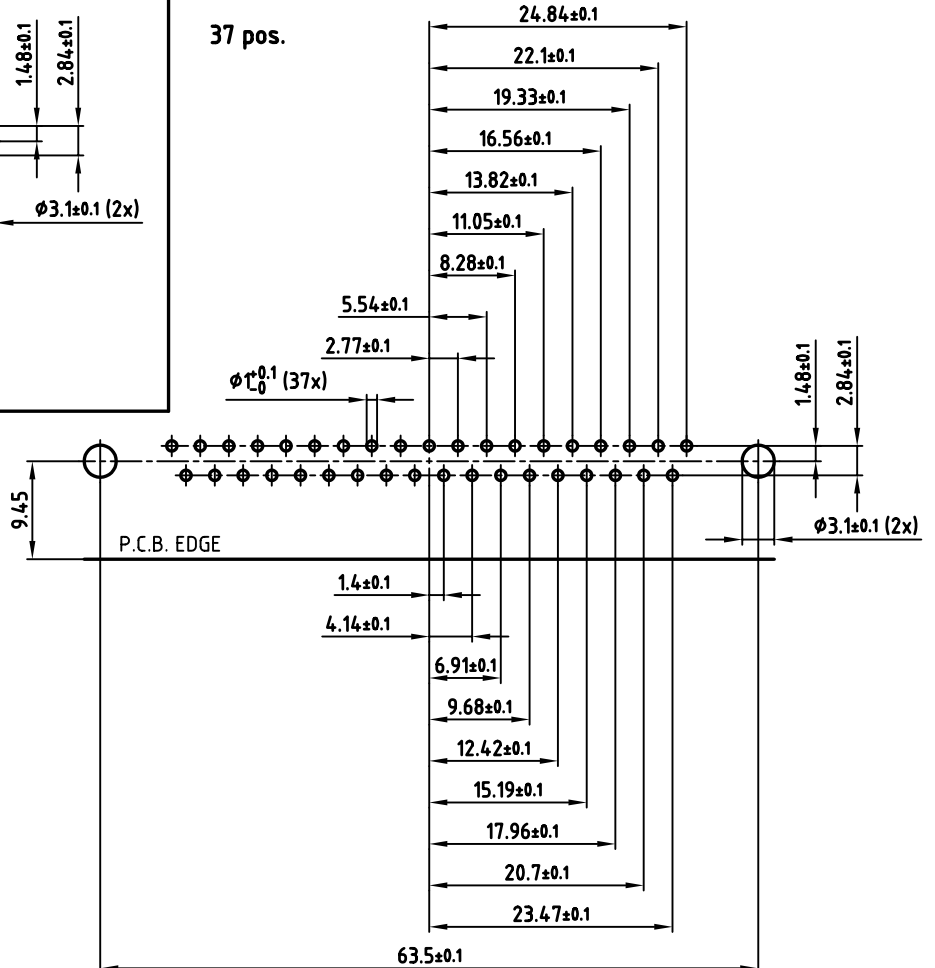
25 pos.



15 pos.



37 pos.



APPROVAL # FREIGABE # DEBLOCAGE # AUTORIZACION # APPROVAL

CUSTOMER APPROVAL DATE:

NAME: TITLE:

COMPANY NAME:

APPROVAL # FREIGABE # DEBLOCAGE # AUTORIZACION # APPROVAL

THIS DRAWING MAY NOT BE COPIED OR REPRODUCED IN ANY WAY, AND MAY NOT BE PASSED ON TO A THIRD PARTY, WITHOUT WRITTEN PERMISSION. OWNERSHIP AND COPYRIGHT OF CONEC GmbH DO NOT ALTER CAD DRAWING BY HAND

rev.	description	date	name

tolerance		scale:	2:1
	dim. in mm	material:	SEE SHEET 1
2004	date	name	
drawn	04.06.	Lehmenkühler	
appd.	04.06.	Kühle	
norm	DIN 41652		
d-old			
CONEC®			

title: **P.C.B. HOLE DRILLINGS**
D-SUB FILTER MALE 90° 9-37pos. 0.318inch threaded insert, metal bracket, fixing-plate, clip

dwg no: AutoCAD 2004 DIN-A 3 sh:2/2

part no: **24K1A542** SEE SHEET 1