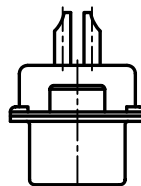
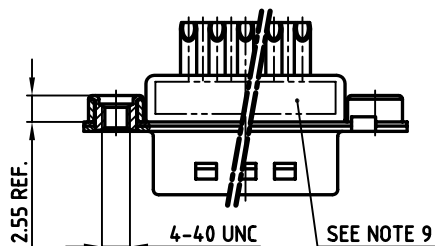
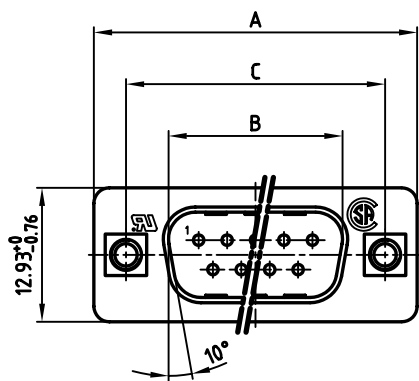
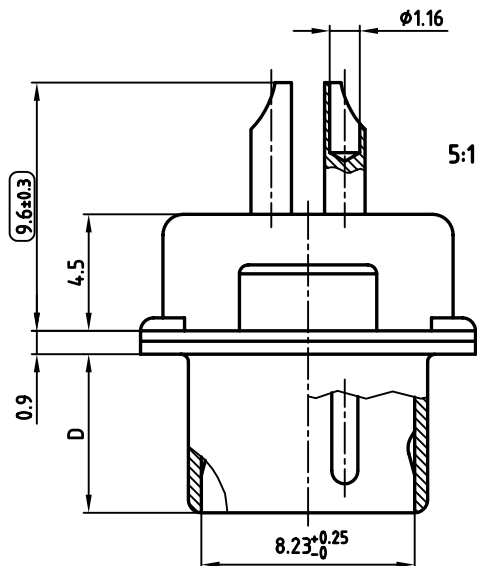


used for: D-SUB FILTER

POS.	A ^{-0.76}	B ^{+0.25}	C	D ^{-0.3}	Part NO.
9	31.19	16.79	25.00 ^{+0.12} _{-0.13}	6.12	241A27120X
15	39.52	25.12	33.30 ^{+0.15} _{-0.1}	6.12	241A27130X
25	53.42	38.84	47.04 ^{±0.13}	5.99	241A27140X
37	69.70	55.30	63.50 ^{±0.13}	5.99	241A27150X



NOTES:

- METALSHELLS: STEEL; min. 320µ" TIN
- INSULATORS: HIGH TEMPERATURE PLASTIC UL 94 V-0, BLACK
- CONTACTS: COPPER ALLOY
PLATING: 8µ" HARD GOLD OVER min. 50µ" NICKEL
SOLDER CUP ACCEPTS CABLE AWG 20
- THREADED INSERT: COPPER ALLOY; min. 200µ" TIN over 80µ" NICKEL
- COLLAR: COPPER ALLOY; min. 200µ" TIN over 80µ" NICKEL
- CAPACITANCE: 1300pF ±20%
- DIELECTRIC WITHSTANDING VOLTAGE: 424 VDC
- MAXIMUM TORQUE VALUE FOR THREAD: 6" LBS
- CONNECTOR IS PART MARKED: PART-NO. CONEC ABC
- = CHECK DIMENSION

Directive 2002/95/EC
 "RoHS"
 Compliant

APPROVAL * FREIGABE * DEBLOCAGE * AUTORIZACION * APPROVAL	
CUSTOMER APPROVAL DATE:	
NAME:	TITLE:
COMPANY NAME:	
APPROVAL * FREIGABE * DEBLOCAGE * AUTORIZACION * APPROVAL	

THIS DRAWING MAY NOT BE COPIED OR REPRODUCED IN ANY WAY, AND MAY NOT BE PASSED ON TO A THIRD PARTY, WITHOUT WRITTEN PERMISSION.
 OWNERSHIP AND COPYRIGHT OF CONEC GmbH
DO NOT ALTER CAD DRAWING BY HAND

	tolerance		scale: 2:1 (5:1)	material: SEE NOTES
		dim. in mm		
	2006	date	name	title:
	drawn	06.02.	Lehmenkühler	D-SUB FILTER MALE
	appd.	06.02.	Mickenbecker	9-37pos. SOLDER CUP with threaded insert
	norm	DIN 41652		
	d-old			
	a	Origin	dwg no:	AutoCAD 2004
	rev.	description	date	name
				24K1A760
				part no: SEE TABLE
				DIN-A 3 sh: 1/1

