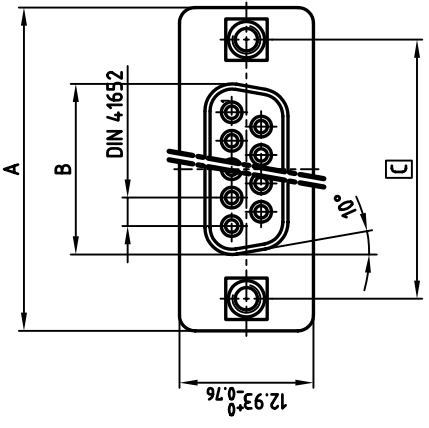
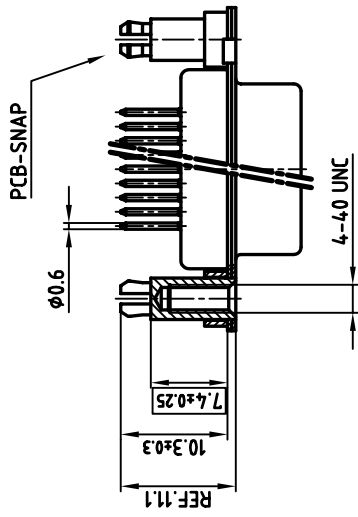
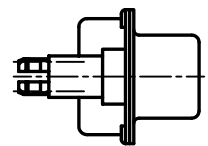
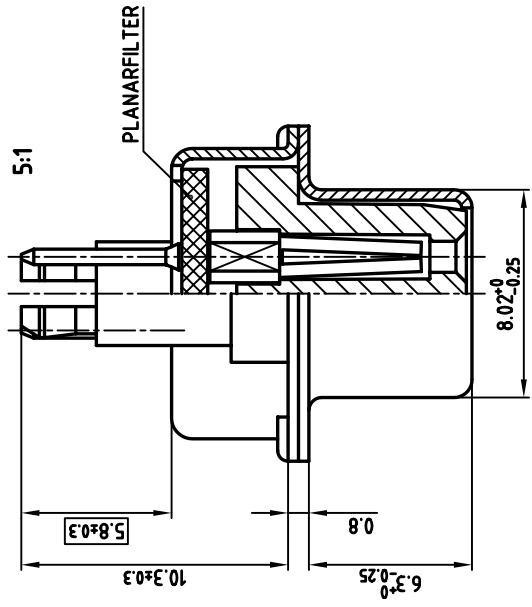


used for: D-SUB FILTER

POS.	A	B	C	PART NO.
9	31.19	16.46	25.00	242A15030X
15	39.52	24.79	33.30	242A15040X
25	53.42	38.50	47.04	242A15050X
37	69.70	54.96	63.50	242A15060X



- NOTES:**
- METALSHELLS: STEEL; TIN PLATED
 - INSULATOR: PBTP GF UL 94 V-0
 - CONTACTS: COPPER ALLOY
 - PLATING: HARD GOLD OVER NICKEL
 - PCB-SNAP: COPPER ALLOY; TIN PLATED
PCB HOLE $\phi 3.1 \pm 0.1$; PCB THICKNESS $t = 1.6\text{mm}$
 - CAPACITANCE: 1300pF $\pm 20\%$
 - DIELECTRIC WITHSTANDING VOLTAGE: 424 VDC
 - MAXIMUM TORQUE VALUE FOR THREAD: 6" LBS
 - = CRITICAL DIMENSION: SPC

Directive 2002/95/EC
RoHS
Compliant

tolerance		scale: 2:1 (5:1)	
1996		material: SEE NOTES	
drawn	date	title:	
08.05.	08.05.	D-FILTER FEMALE P-TYP	
appd.	08.05.	9-37pos. PIN 5.8mm	
norm	DIN 41652	WITH THREADED SPACER CLIP	
d-old		[CAD/ REL.13] DIN-A	
rev. description		dwg no: 24K11Y8A	
date		product no: SEE TABLE	
name		sh: 1/1	

THIS DRAWING MAY NOT BE COPIED OR REPRODUCED IN ANY WAY, AND MAY NOT BE PASSED ON TO A THIRD PARTY WITHOUT WRITTEN PERMISSION.
OWNERSHIP AND COPYRIGHT OF CONEC GMBH
DO NOT ALTER CAD DRAWING BY HAND

