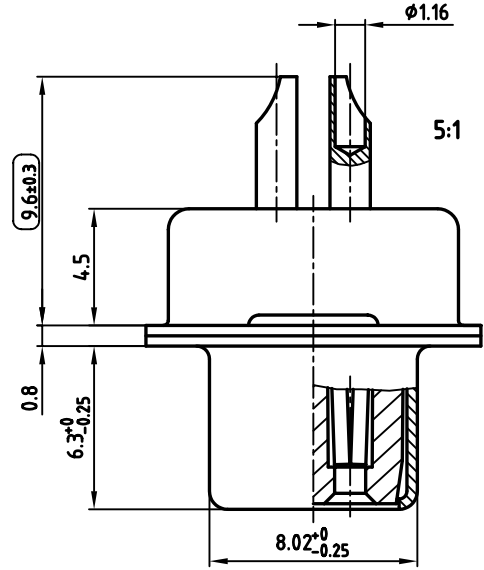
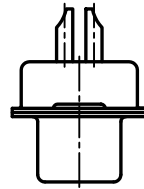
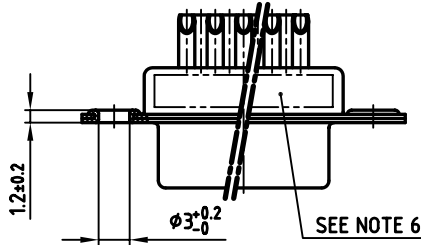
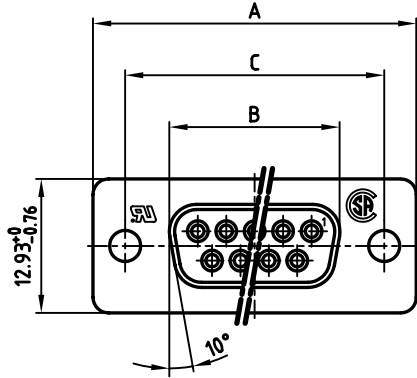


used for: D-SUB FILTER

| POS. | A -0.76 | B -0.25 | C | Part NO. |
|------|---------|---------|-----------------------------|------------|
| 9 | 31.19 | 16.46 | 25.00 ± 0.12 -0.13 | 242A26860X |
| 15 | 39.52 | 24.79 | 33.30 ± 0.15 -0.1 | 242A26870X |
| 25 | 53.42 | 38.50 | 47.04 ± 0.13 | 242A26880X |
| 37 | 69.70 | 54.96 | 63.50 ± 0.13 | 242A26890X |



NOTES:

- METALSHELLS: STEEL; min. 320µ" TIN
- INSULATORS: PBT GF UL 94 V-0, BLACK
- CONTACTS: COPPER ALLOY
PLATING: 8µ" HARD GOLD OVER min. 50µ" NICKEL
SOLDER CUP ACCEPTS CABLE AWG 20
- CAPACITANCE: 1300pF ±20%
- DIELECTRIC WITHSTANDING VOLTAGE: 424 VDC
- CONNECTOR IS PART MARKED: [PART-NO. CONEC ABC]
- = CHECK DIMENSION

Directive 2002/95/EC
 "RoHS"
 Compliant

| | |
|---|--------|
| APPROVAL # FREIGABE # DEBLOCAGE # AUTORIZACION # APPROVAL | |
| CUSTOMER APPROVAL DATE: | |
| NAME: | TITLE: |
| COMPANY NAME: | |
| APPROVAL # FREIGABE # DEBLOCAGE # AUTORIZACION # APPROVAL | |

THIS DRAWING MAY NOT BE COPIED OR REPRODUCED IN ANY WAY, AND MAY NOT BE PASSED ON TO A THIRD PARTY, WITHOUT WRITTEN PERMISSION.
 OWNERSHIP AND COPYRIGHT OF CONEC GmbH
DO NOT ALTER CAD DRAWING BY HAND

| rev. | description | date | name |
|------|-------------|------|------|
| a | Origin | | |

| | | |
|----------------|-----------|--------------|
| tolerance | | |
| 2006 | date | |
| drawn | 03.02. | name |
| appd. | 03.02. | Mickenbecker |
| norm | DIN 41652 | |
| d-old | | |
| CONEC ® | | |

| | | |
|---|--------------|---------|
| scale: | 2:1 (5:1) | |
| material: | SEE NOTES | |
| title: | | |
| D-SUB FILTER FEMALE 9-37pos. SOLDER CUP | | |
| dwg no: | AutoCAD 2004 | DIN-A |
| | 24K1A757 | 3 |
| part no: | SEE TABLE | |
| | | sh: 1/1 |