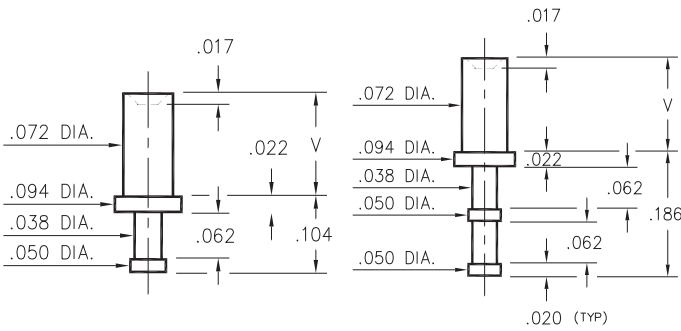


2304/2305

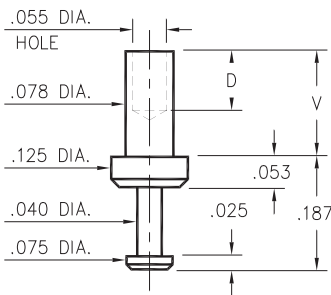


| - X - | Board Thickness | Length V |
|-------|-----------------|----------|
| 1 | .031 | .051 |
| 2 | .062 | .082 |
| 3 | .094 | .113 |
| 4 | .125 | .145 |

2304-X-00-XX-00-00-07-0
Swage mount in .076 hole

2305-X-00-XX-00-00-07-0
Swage mount in .076 hole

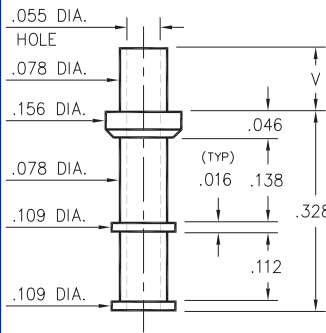
2503



| - X - | Board Thickness | Length V | Depth D |
|-------|-----------------|----------|---------|
| 1 | .031 | .078 | .068 |
| 2 | .062 | .109 | .098 |
| 3 | .094 | .141 | |
| 4 | .125 | .172 | |

2503-X-00-XX-00-00-07-0
Swage mount in .082 hole

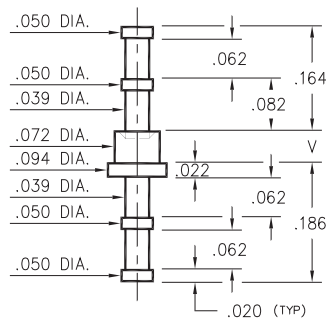
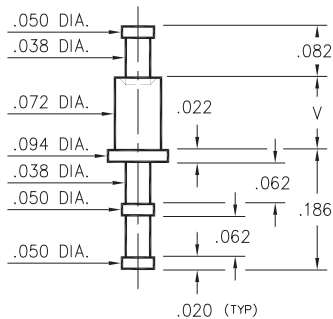
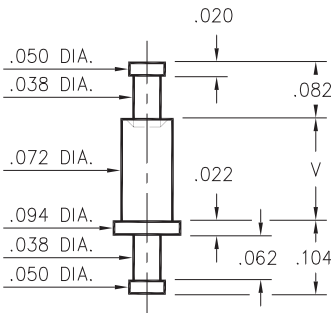
2704



| - X - | Board Thickness | Length V |
|-------|-----------------|----------|
| 1 | .031 | .075 |
| 2 | .062 | .105 |
| 3 | .094 | .135 |
| 4 | .125 | .165 |

2704-X-00-XX-00-00-07-0
Swage mount in .082 hole

2306/2307/2311



| - X - | Board Thickness | Length V |
|-------|-----------------|----------|
| 1 | .031 | .051 |
| 2 | .062 | .082 |
| 3 | .094 | .113 |
| 4 | .125 | .145 |

2306-X-00-XX-00-00-07-0
Swage mount in .076 hole

2307-X-00-XX-00-00-07-0
Swage mount in .076 hole

2311-X-00-XX-00-00-07-0
Swage mount in .076 hole

SPECIFICATIONS

PIN MATERIAL:
Brass Alloy 360, 1/2 Hard
Swage pins are annealed

DIMENSION IN INCHES
TOLERANCES ON:
LENGTHS: ±.005
DIAMETERS: ±.002
ANGLES: ± 2°

ORDER CODE: XXXX - X - 00 - XX - 00 - 00 - 07 - 0

BASIC PART #

SPECIFY PIN FINISH:

- 01 200μ" TIN/LEAD OVER NICKEL
- ◇ 80 200μ" TIN OVER NICKEL (RoHS)
- ◇ 44 300μ" SILVER OVER COPPER (RoHS)
- ◇ 50 300μ" ELECTRO-SOLDER (RoHS) (60/40 SnPb)

