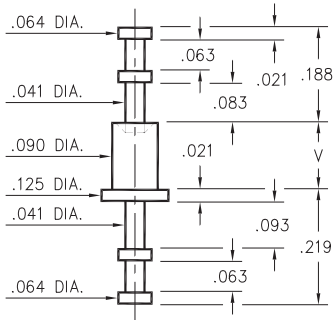


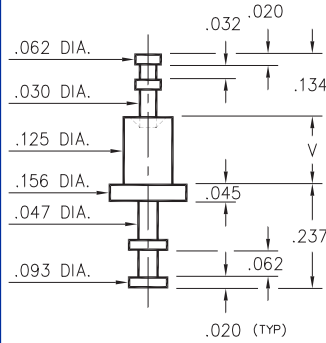
## 2512



- X -	Board Thickness	Length V
1	.031	.062
2	.062	.094
3	.094	.125
4	.125	.156

**2512-X-00-XX-00-00-07-0**  
Swage mount in .094 hole

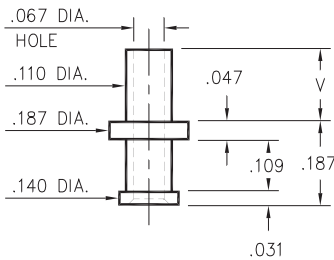
## 2705



- X -	Board Thickness	Length V
1	.031	.075
2	.062	.105
3	.094	.135
4	.125	.165

**2705-X-00-XX-00-00-07-0**  
Swage mount in .129 hole

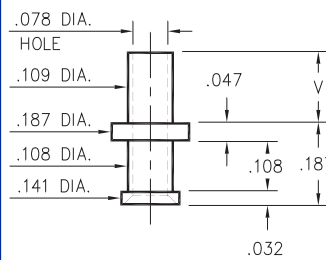
## 2803



- X -	Board Thickness	Length V
1	.031	.078
2	.062	.109
3	.094	.140
4	.125	.171

**2803-X-00-XX-00-00-07-0**  
Swage mount in .113 hole

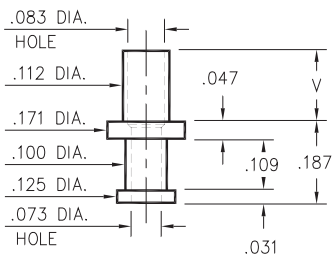
## 2815



- X -	Board Thickness	Length V
1	.031	.075
2	.062	.105
3	.094	.135
4	.125	.165

**2815-X-00-XX-00-00-07-0**  
Swage mount in .113 hole

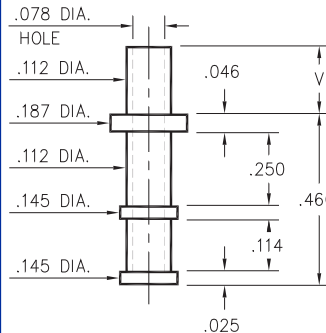
## 2816



- X -	Board Thickness	Length V
1	.031	.078
2	.062	.109
3	.094	.141
4	.125	.172

**2816-X-00-XX-00-00-07-0**  
Swage mount in .116 hole

## 2817



- X -	Board Thickness	Length V
1	.031	.075
2	.062	.105
3	.094	.135
4	.125	.165

**2817-X-00-XX-00-00-07-0**  
Swage mount in .116 hole

### SPECIFICATIONS

**PIN MATERIAL:**  
Brass Alloy 360, 1/2 Hard  
Swage pins are annealed

**DIMENSION IN INCHES**  
**TOLERANCES ON:**  
LENGTHS: ±.005  
DIAMETERS: ±.002  
ANGLES: ± 2°

**ORDER CODE: XXXX - X - 00 - XX - 00 - 00 - 07 - 0**

**BASIC PART #**

**SPECIFY PIN FINISH:**

- 01 200µ" TIN/LEAD OVER NICKEL
- ◇ 80 200µ" TIN OVER NICKEL (RoHS)
- ◇ 44 300µ" SILVER OVER COPPER (RoHS)
- ◇ 50 300µ" ELECTRO-SOLDER (RoHS) (60/40 SnPb)

