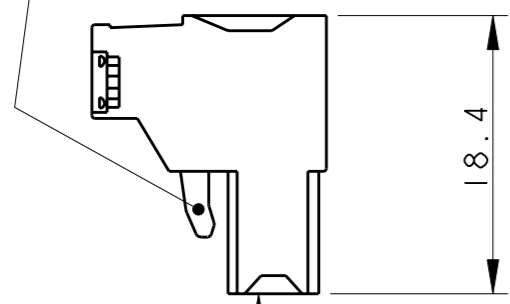


THIS DRAWING IS UNPUBLISHED. RELEASED FOR PUBLICATION 20
 © COPYRIGHT 20 BY TYCO ELECTRONICS CORPORATION. ALL RIGHTS RESERVED.

LOC	DIST	REVISIONS			
P	LTR	DESCRIPTION	DATE	DWN	APVD
FT	0	C1	REVISED PER ECO-011271	25JUN96	SS CR

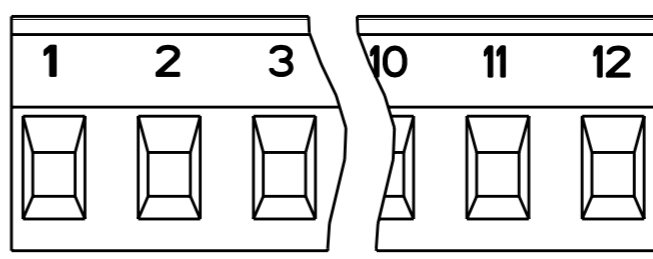
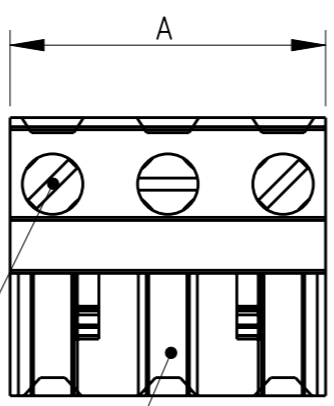
RETENTION LATCH
(DISPOSITIVO DI RITENZIONE)



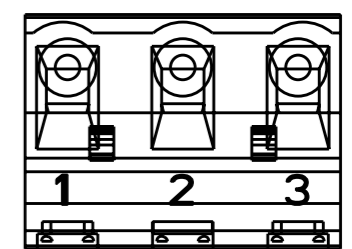
MATING FACE
(LATO DI ACCOPPIAMENTO)

CLAMPING SCREW
(VITE DI SERRAGGIO)

POLARIZATION KEY SLOT
(SEDE PER LINGUETTE DI CODIFICA)

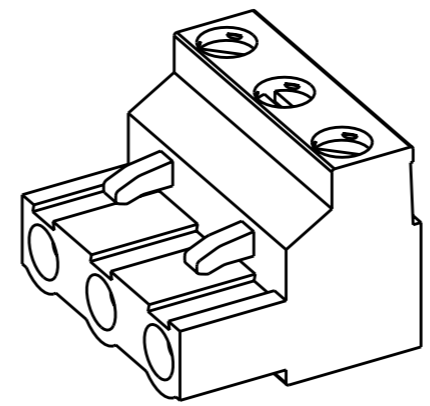
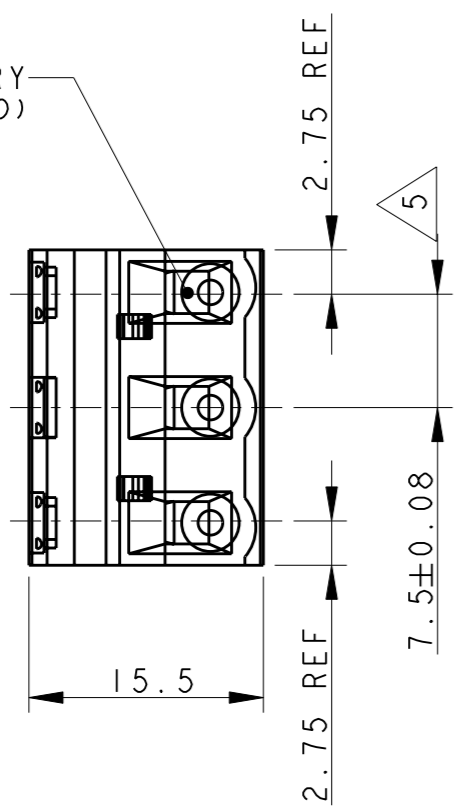


1-282959-5 AS SHOWN



1-282959-6 AS SHOWN

WIRE ENTRY
(INGRESSO CAVO)



282959-3 AS SHOWN

MARKING	COLOUR	DIM.A	N° OF POS.	PART NUMBER	
6	AS SHOWN	GREEN	20.5	3	1-282959-6
6	AS SHOWN	GREEN	90.0	12	1-282959-5
7	/	GREEN	73.0	10	1-282959-4
7	/	BLACK	20.5	3	1-282959-3
/	/	GREEN	88.0	12	1-282959-2
/	/	GREEN	80.5	11	1-282959-1
/	/	GREEN	73.0	10	1-282959-0
/	/	GREEN	65.5	9	282959-9
/	/	GREEN	58.0	8	282959-8
/	/	GREEN	50.5	7	282959-7
/	/	GREEN	43.0	6	282959-6
/	/	GREEN	35.5	5	282959-5
/	/	GREEN	28.0	4	282959-4
/	/	GREEN	20.5	3	282959-3
/	/	GREEN	13.0	2	282959-2

<small>THIS DRAWING IS A CONTROLLED DOCUMENT FOR TYCO ELECTRONICS CORPORATION IT IS SUBJECT TO CHANGE AND THE CONTROLLING ENGINEERING ORGANIZATION SHOULD BE CONTACTED FOR THE LATEST REVISION.</small>		DWN S. SCHLEGEL 25JUN96 CHK R. CANTORE 25JUN96 APVD R. CANTORE 25JUN96		Tyco Electronics Harrisburg, PA 17105-3608	
DIMENSIONS: mm		TOLERANCES UNLESS OTHERWISE SPECIFIED: 0 PLC ±- 1 PLC ±0.2 2 PLC ±0.20 3 PLC ±0.001 4 PLC ±0.0001 ANGLES ±2		NAME TERMINAL BLOCK PLUG, 7.5mm PITCH	
MATERIAL -		FINISH -		SIZE A3 00779 C-282959	
CUSTOMER DRAWING		WEIGHT -		RESTRICTED TO -	
SCALE 2:1		SHEET 1 OF 2		REV C1	

THIS DRAWING IS UNPUBLISHED. RELEASED FOR PUBLICATION 20
 © COPYRIGHT 20 BY TYCO ELECTRONICS CORPORATION. ALL RIGHTS RESERVED.

LOC	DIST	REVISIONS			
P	LTR	DESCRIPTION	DATE	DWN	APVD
FT	0	-	SEE SHEET 1	SEE SHEET 1	-

1 MATERIALS AND FINISH
 HOUSING: PA 6-6, UL 94-V0.
 COLOURS: GRAY, RAL 7032.
 BLACK.
 GREEN.
 CLAMP: BRASS, NICKEL PLATED.
 DOUBLE SIDE CONTACT SPRING: PHOSPHOR BRONZE, TIN PLATED.
 CLAMPING SCREW: M3, BRASS, NICKEL PLATED.

1 MATERIALI E FINITURE
 BLOCCHETTO: PA 6-6, UL 94-V0.
 COLORE: GRIGIO, RAL 7032.
 NERO.
 VERDE.
 MORSETTO: OTTONE NICHELATO.
 DOPPIA MOLLA DI CONTATTO: BRONZO FOSFOROSO STAGNATO.
 VITE DI SERRAGGIO: M3, OTTONE NICHELATO.

2 WIRE SIZE RANGE
 SOLID WIRE: 0,03-2,5mm² (13AWG).
 STRANDED WIRE: 0,03-1,5mm² (15AWG).

2 CAPACITA' DI CONNESSIONE
 CAVO UNIPOLARE: 0,03-2,5mm² (13AWG).
 CAVO TREFOLATO: 0,03-1,5mm² (15AWG).

3 RECOGNIZED UNDER THE COMPONENT PROGRAM OF
 UNDERWRITERS LABORATORIES INC. FILE N° E60677.

3 PRODOTTO OMOLOGATO DA UNDERWRITERS
 LABORATORIES INC. FILE N° E60677.

4 IMQ CERTIFICATE WITH SURVEILLANCE IN
 CONFORMITY WITH IEC 998-1/998-2-1.

4 CERTIFICATO CON SORVEGLIANZA IMQ IN CONFORMITA'
 AGLI STANDARD IEC 998-1/998-2-1.

5 NOT CUMULATIVE TOLERANCE.


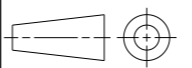
5 TOLLERANZA NON CUMULATIVA.

6 INK MARKING : BLACK COLOUR
 NUMERICAL SEQUENCE : FROM LEFT TO RIGHT,
 WIRE ENTRY SIDE

6 MARCHIATURA AD INCHIOSTRO : COLORE NERO
 SEQUENZA NUMERICA : DA SINISTRA VERSO DESTRA,
 LATO INGRESSO CAVO

7 NOT YET RELEASED FOR PRODUCTION

7 NON RILASCIATO IN PRODUZIONE

<small>THIS DRAWING IS A CONTROLLED DOCUMENT FOR TYCO ELECTRONICS CORPORATION IT IS SUBJECT TO CHANGE AND THE CONTROLLING ENGINEERING ORGANIZATION SHOULD BE CONTACTED FOR THE LATEST REVISION.</small>		DWN S. SCHLEGEL 25JUN96	 Tyco Electronics Harrisburg, PA 17105-3608	
DIMENSIONS: mm 		CHK R. CANTORE 25JUN96	NAME TERMINAL BLOCK PLUG, 7.5mm PITCH	
TOLERANCES UNLESS OTHERWISE SPECIFIED: 0 PLC ±- 1 PLC ±0.2 2 PLC ±0.20 3 PLC ±0.001 4 PLC ±0.0001 ANGLES ±2		APVD R. CANTORE 25JUN96	RESTRICTED TO	
MATERIAL -		PRODUCT SPEC -	SIZE A3	CAGE CODE 00779
FINISH -		APPLICATION SPEC -	DRAWING NO C-282959	REV C1
		WEIGHT -	SCALE 1:1 SHEET 2 OF 2	
		CUSTOMER DRAWING		