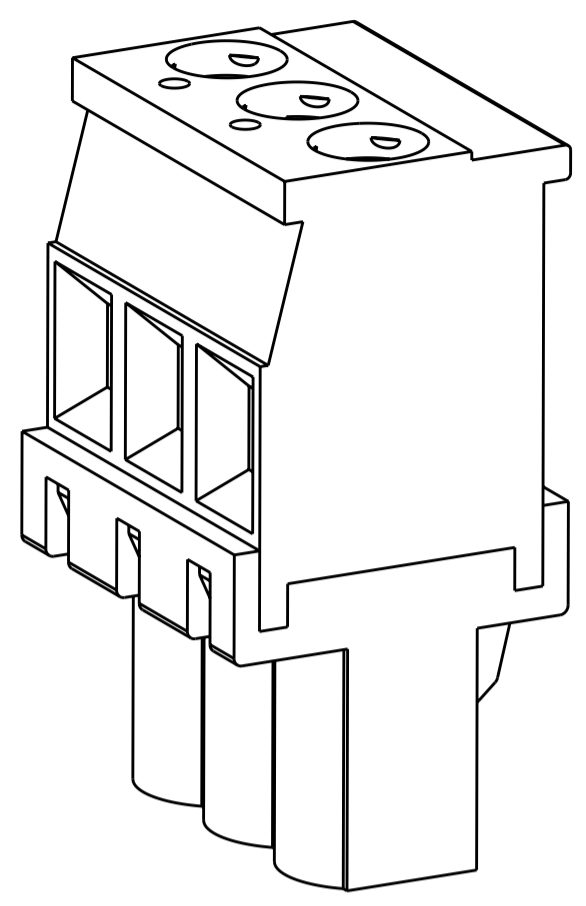
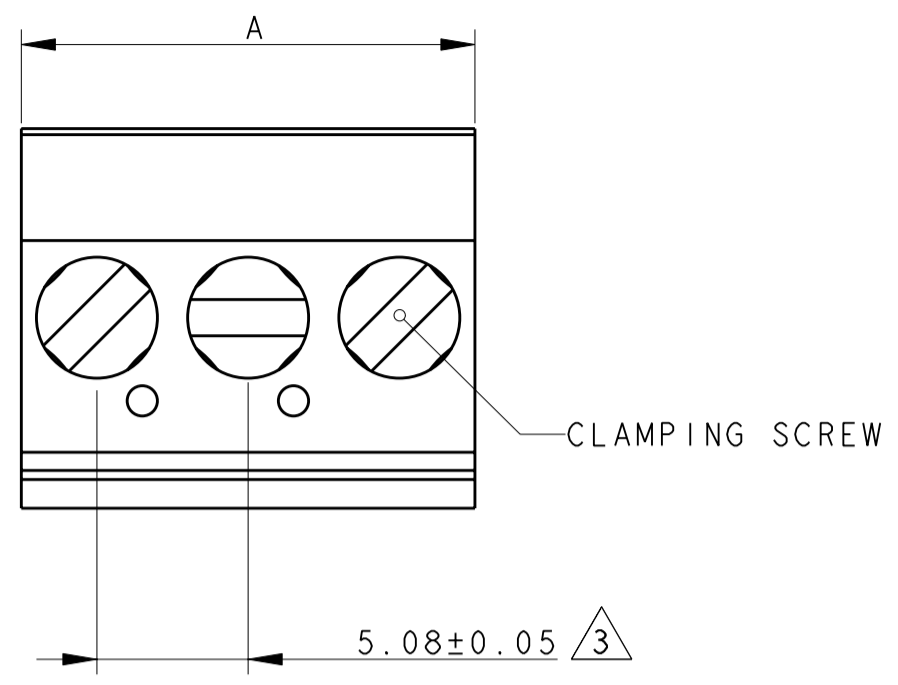
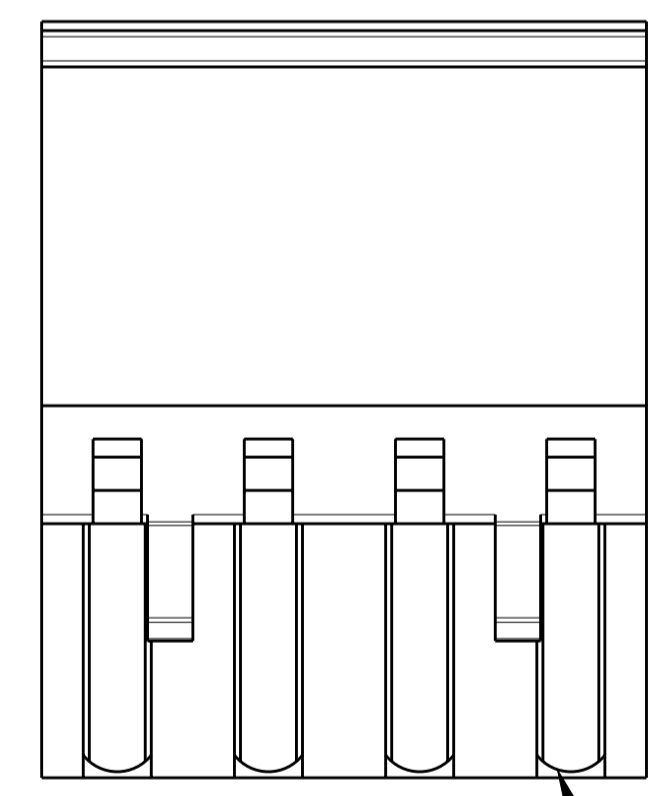
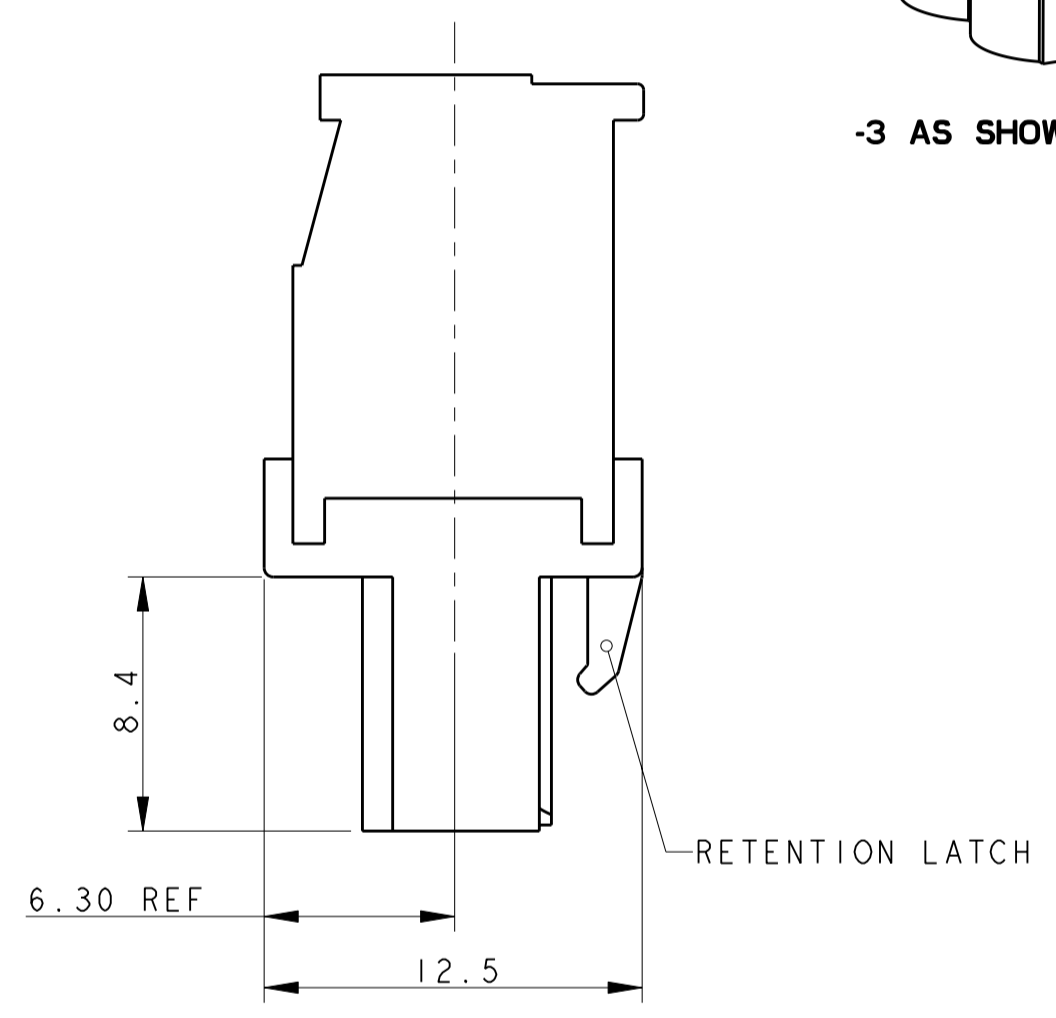
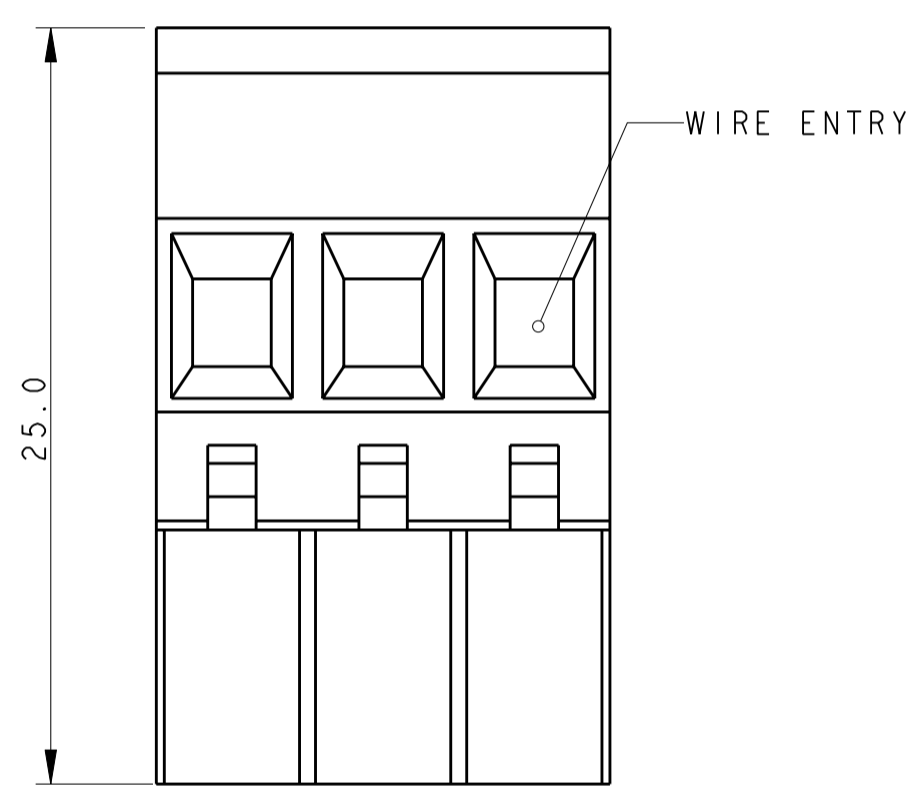


THIS DRAWING IS UNPUBLISHED. RELEASED FOR PUBLICATION 20  
 © COPYRIGHT 20 BY TYCO ELECTRONICS CORPORATION. ALL RIGHTS RESERVED.

LOC	DIST	REVISIONS					
FT	0	P	LTR	DESCRIPTION	DATE	DWN	APVD
		C2		REVISED PER ECO-10-011027	27MAY2010	HMR	CR

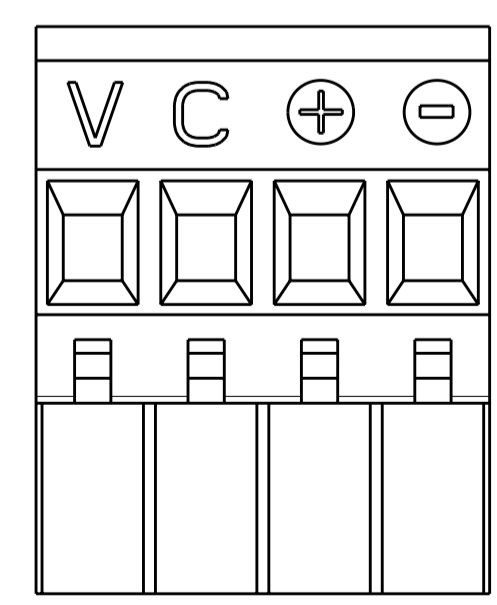
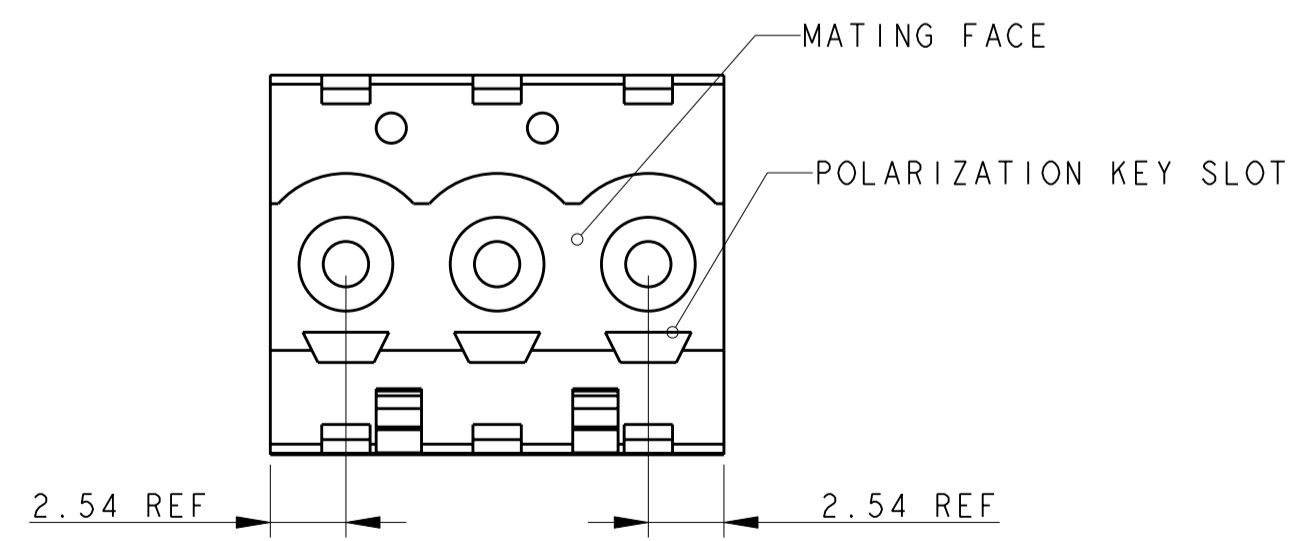


- $\triangle 1$  MATERIALS AND FINISH  
 HOUSING: PA 6-6, UL 94-V0, COLOR GREEN.  
 CLAMP: BRASS, NICKEL PLATED.  
 DOUBLE SIDE CONTACT SPRING: PHOSPHOR BRONZE, TIN PLATED.  
 CLAMPING SCREW: M3, BRASS, NICKEL PLATED.
- 2 WIRE SIZE RANGE:  
 12 - 30 AWG
- $\triangle 3$  NOT CUMULATIVE TOLERANCE.
- $\triangle 4$  PRELIMINARY
- $\triangle 5$  SPECIAL MARKING TO BE PERMANENT BLACK LETTERING



$\triangle 5$   $\triangle 4$  DETAIL B  
 $\triangle 4$  DETAIL A

DIM. A	NO OF POS.	PART NUMBER
20.32	4	2-284041-7
20.32	4	2-284041-6
127.00	25	2-284041-5
121.92	24	2-284041-4
116.84	23	2-284041-3
111.76	22	2-284041-2
106.68	21	2-284041-1
101.60	20	2-284041-0
96.52	19	1-284041-9
91.44	18	1-284041-8
86.36	17	1-284041-7
81.28	16	1-284041-6
76.20	15	1-284041-5
71.12	14	1-284041-4
66.04	13	1-284041-3
60.96	12	1-284041-2
55.88	11	1-284041-1
50.80	10	1-284041-0
45.72	9	284041-9
40.64	8	284041-8
35.56	7	284041-7
30.48	6	284041-6
25.40	5	284041-5
20.32	4	284041-4
15.24	3	284041-3
10.16	2	284041-2



THIS DRAWING IS A CONTROLLED DOCUMENT FOR TYCO ELECTRONICS CORPORATION. IT IS SUBJECT TO CHANGE AND THE CONTROLLING ENGINEERING ORGANIZATION SHOULD BE CONTACTED FOR THE LATEST REVISION.		DWN E. ZANOLINI 27MAR2001	Tyco Electronics Harrisburg, PA 17105-3608	
DIMENSIONS: mm		CHK D. BIEVENOUR 27MAR2001	NAME TERMINAL BLOCK, VERTICAL PLUG STACKING, LEFT HAND 5.08mm PITCH	
TOLERANCES UNLESS OTHERWISE SPECIFIED: 0 PLC ±- 1 PLC ±0.3 2 PLC ±0.25 3 PLC ±- 4 PLC ±- ANGLES ±2		APVD D. BIEVENOUR 27MAR2001	SIZE A200779C-284041	
MATERIAL $\triangle 1$ -		PRODUCT SPEC -	RESTRICTED TO -	
FINISH $\triangle 1$ -		APPLICATION SPEC -	SCALE 4:1 SHEET 1 OF 1 REV C2	
CUSTOMER DRAWING				