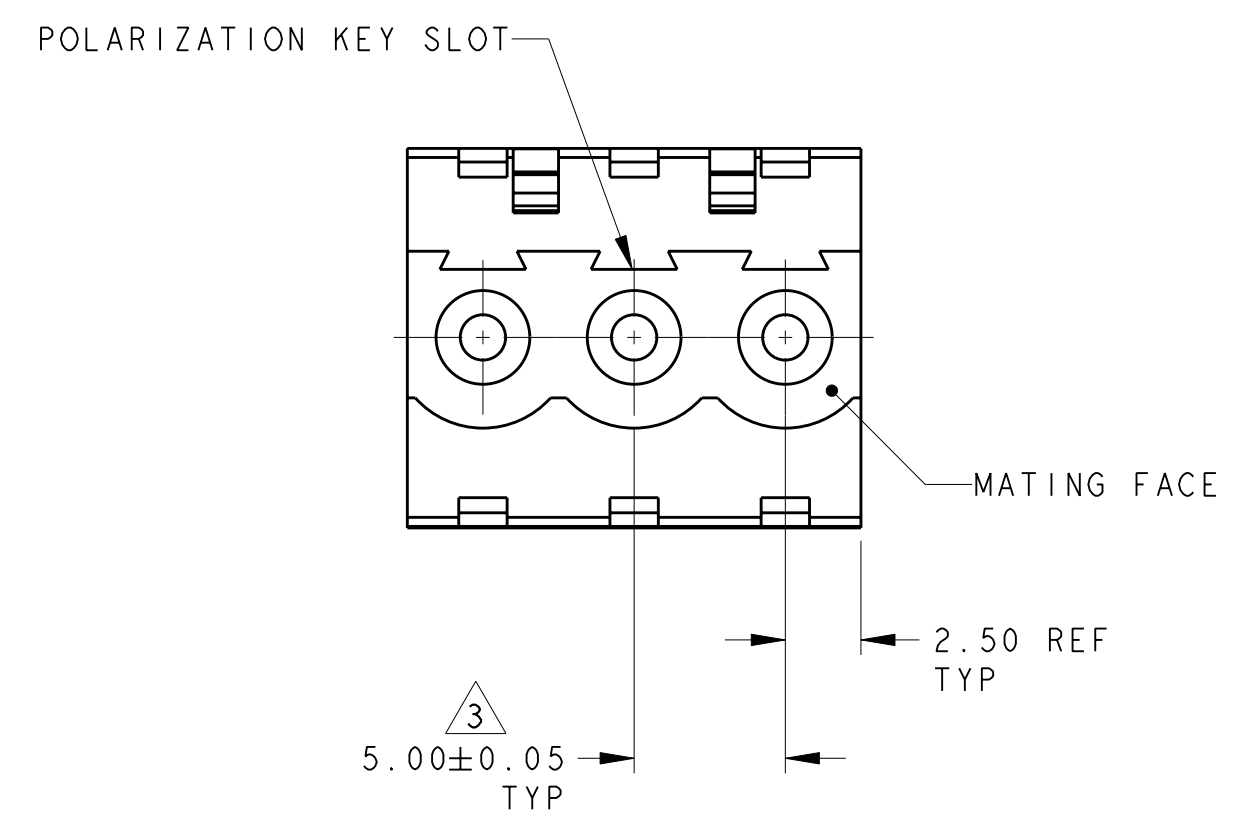
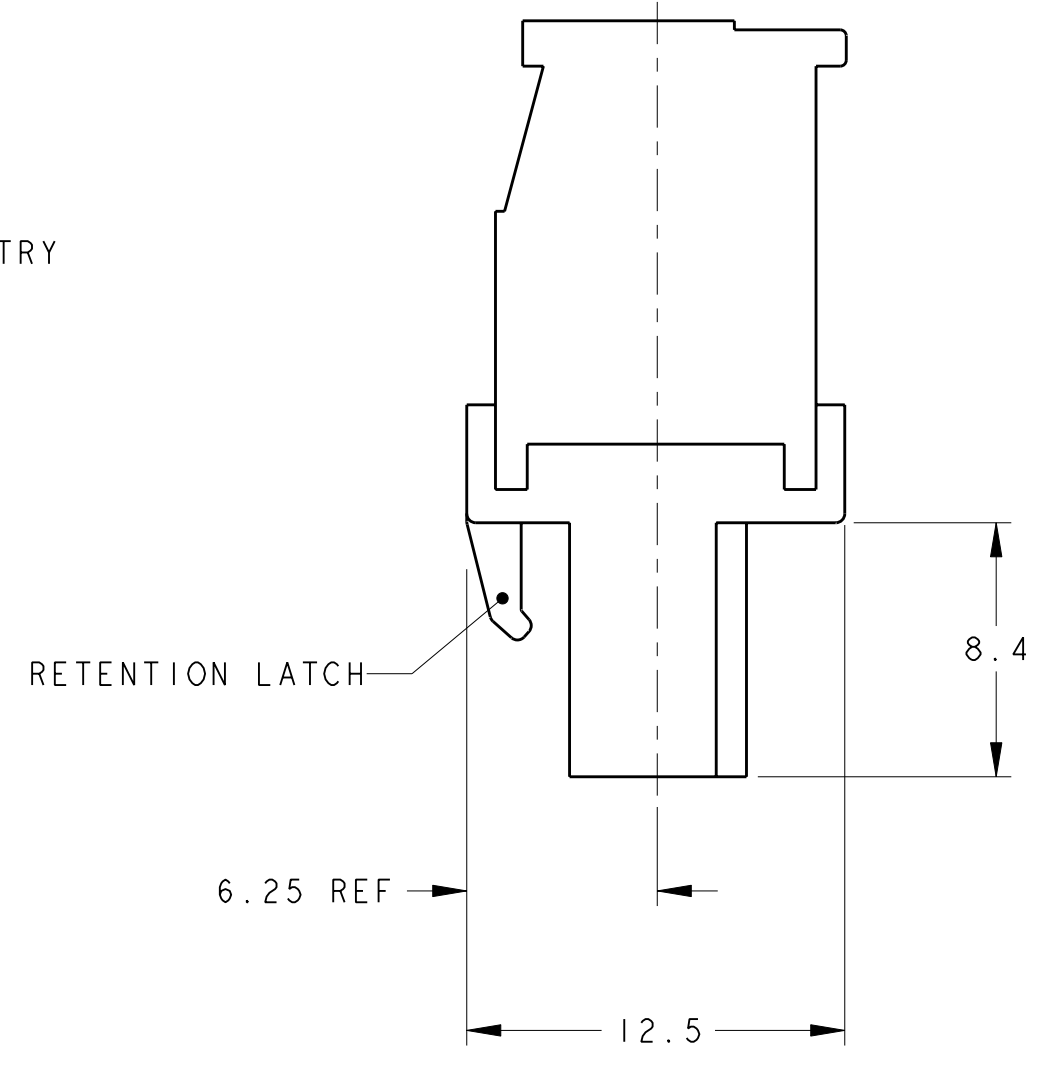
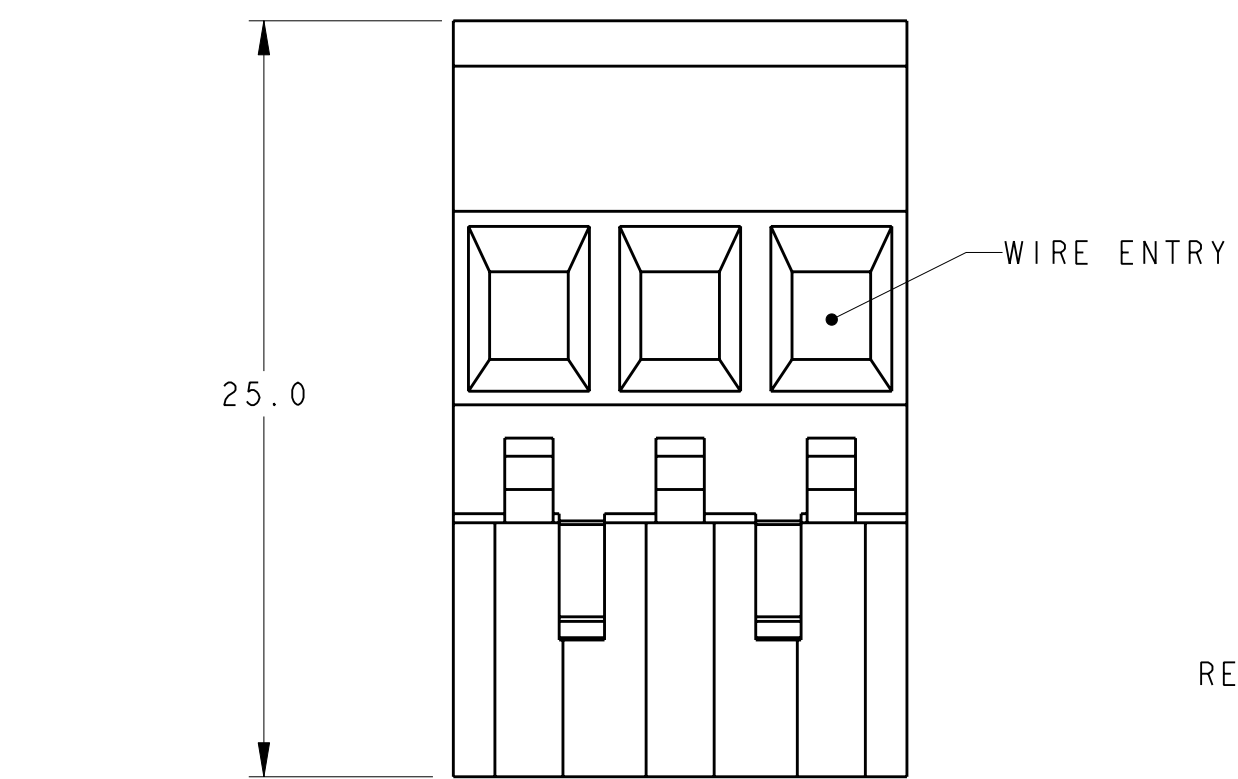
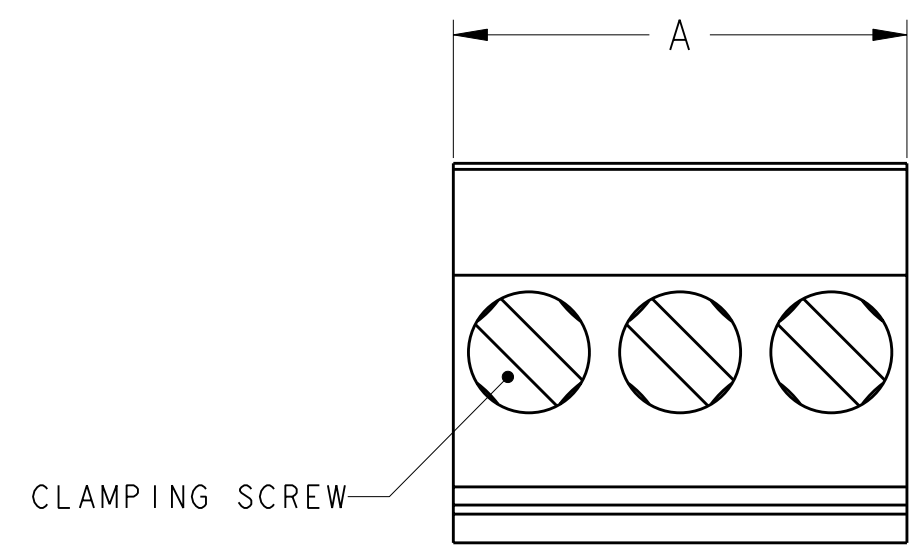


THIS DRAWING IS UNPUBLISHED. RELEASED FOR PUBLICATION 20  
 © COPYRIGHT 20 BY TYCO ELECTRONICS CORPORATION. ALL RIGHTS RESERVED.

LOC	DIST	REVISIONS					
FT	0	P	LTR	DESCRIPTION	DATE	DWN	APVD
			EI	REVISED PER ECO-09-016005	09JUL2009	HMR	CR

- 1 MATERIALS AND FINISH  
 HOUSING: PA 6-6, UL 94-V0, COLOR: GREEN.  
 CLAMP: BRASS, NICKEL PLATED.  
 CONTACT SPRING : PHOSPHOR BRONZE, TIN PLATED.  
 CLAMPING SCREW: M3, BRASS, NICKEL PLATED.
- 2. WIRE SIZE RANGE: 12 - 30 AWG
- 3 NOT CUMULATIVE TOLERANCE.
- 4. INK MARKING, COLOR: BLACK.
- 5 WIRE ENTRY CLOSED
- 6 PRELIMINARY



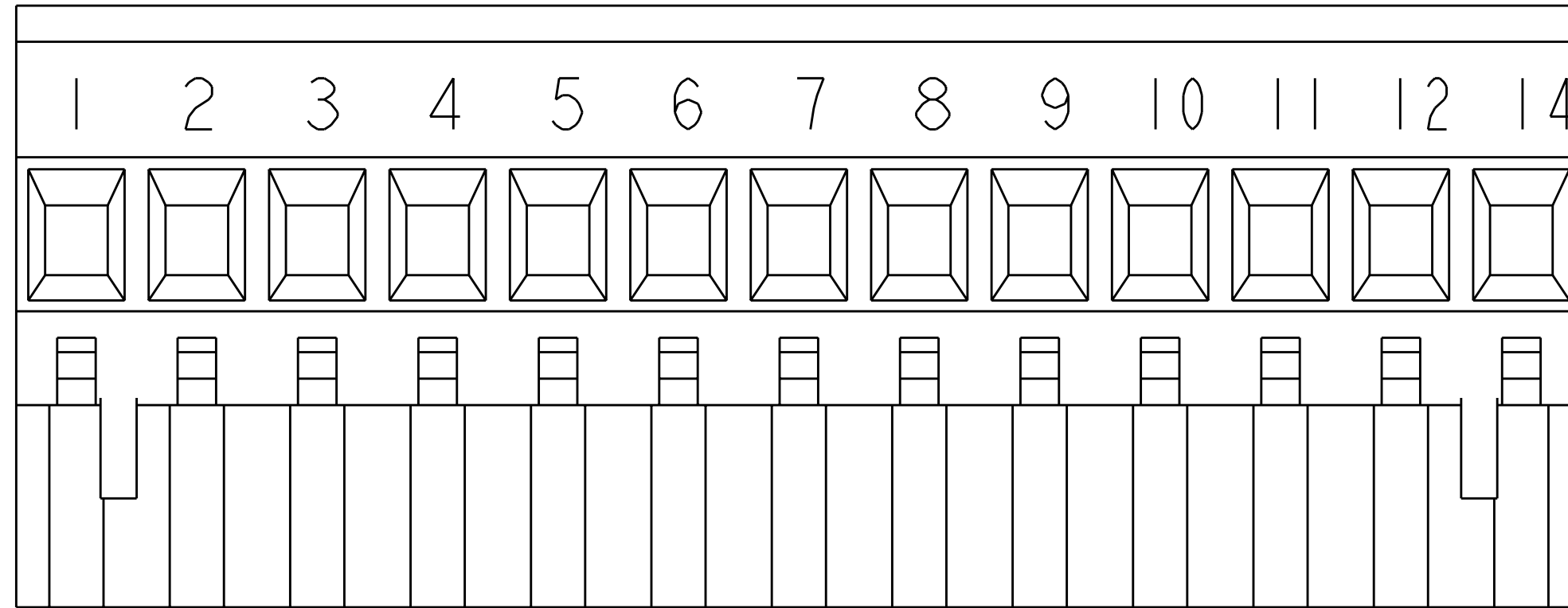
6	TIN PLATED	SEE SHEET 3	70.0	14	3-284046-5
6	TIN PLATED	SEE SHEET 3	50.0	10	3-284046-4
6	TIN PLATED	SEE SHEET 3	90.0	18	3-284046-3
6	TIN PLATED	SEE SHEET 3	80.0	16	3-284046-2
	TIN PLATED	SEE SHEET 2	15.0	3	3-284046-1
	0.00076[.000030]	SEE SHEET 2	10.0	2	3-284046-0
	SELECT GOLD	SEE SHEET 2	25.0	5	2-284046-9
		-	25.0	5	2-284046-8
		SEE SHEET 2	65.0	13	2-284046-7
		SEE SHEET 2	40.0	8	2-284046-6
		-	125.0	25	2-284046-5
		-	120.0	24	2-284046-4
		-	115.0	23	2-284046-3
		-	110.0	22	2-284046-2
		-	150.0	21	2-284046-1
		-	100.0	20	2-284046-0
		-	95.0	19	1-284046-9
		-	90.0	18	1-284046-8
		-	85.0	17	1-284046-7
		-	80.0	16	1-284046-6
		-	75.0	15	1-284046-5
		-	70.0	14	1-284046-4
		-	65.0	13	1-284046-3
		-	60.0	12	1-284046-2
		-	55.0	11	1-284046-1
		-	50.0	10	1-284046-0
		-	45.0	9	284046-9
		-	40.0	8	284046-8
		-	35.0	7	284046-7
		-	30.0	6	284046-6
		-	25.0	5	284046-5
		-	20.0	4	284046-4
		-	15.0	3	284046-3
		-	10.0	2	284046-2

CONTACT FINISH	MARKING	A	NO OF POSN	PART NUMBER
----------------	---------	---	------------	-------------

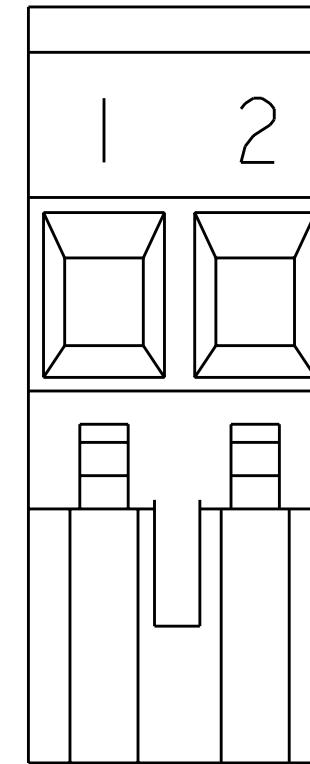
THIS DRAWING IS A CONTROLLED DOCUMENT FOR TYCO ELECTRONICS CORPORATION IT IS SUBJECT TO CHANGE AND THE CONTROLLING ENGINEERING ORGANIZATION SHOULD BE CONTACTED FOR THE LATEST REVISION.		DWN S.WELDON 05FEB2003 CHK C.RICHARD 05FEB2003 APVD C.RICHARD 05FEB2003	Tyco Electronics Harrisburg, PA 17105-3608
DIMENSIONS: mm 	TOLERANCES UNLESS OTHERWISE SPECIFIED: 0 PLC ± - 1 PLC ± .3 2 PLC ± .25 3 PLC ± - 4 PLC ± - ANGLES ± 2 FINISH	PRODUCT SPEC - APPLICATION SPEC - WEIGHT -	NAME TERMINAL BLOCK, VERTICAL PLUG, STACKING, RIGHT HAND, 5.00mm PITCH
MATERIAL			SIZE A2 CAGE CODE 00779 DRAWING NO C-284046 RESTRICTED TO -
CUSTOMER DRAWING		SCALE 4:1	SHEET 1 OF 3 REV EI

THIS DRAWING IS UNPUBLISHED. RELEASED FOR PUBLICATION 20  
 © COPYRIGHT 20 BY TYCO ELECTRONICS CORPORATION. ALL RIGHTS RESERVED.

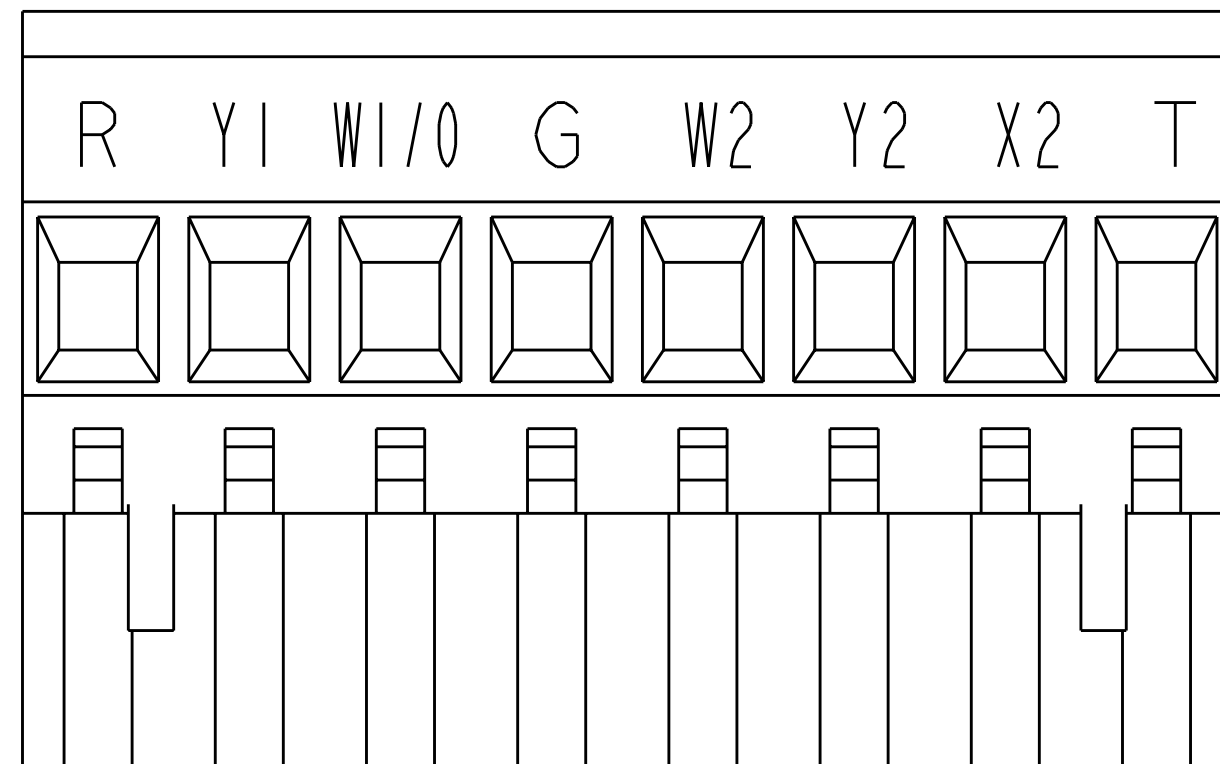
LOC	DIST	REVISIONS					
FT	0	P	LTR	DESCRIPTION	DATE	DWN	APVD
		-		SEE SHEET 1			



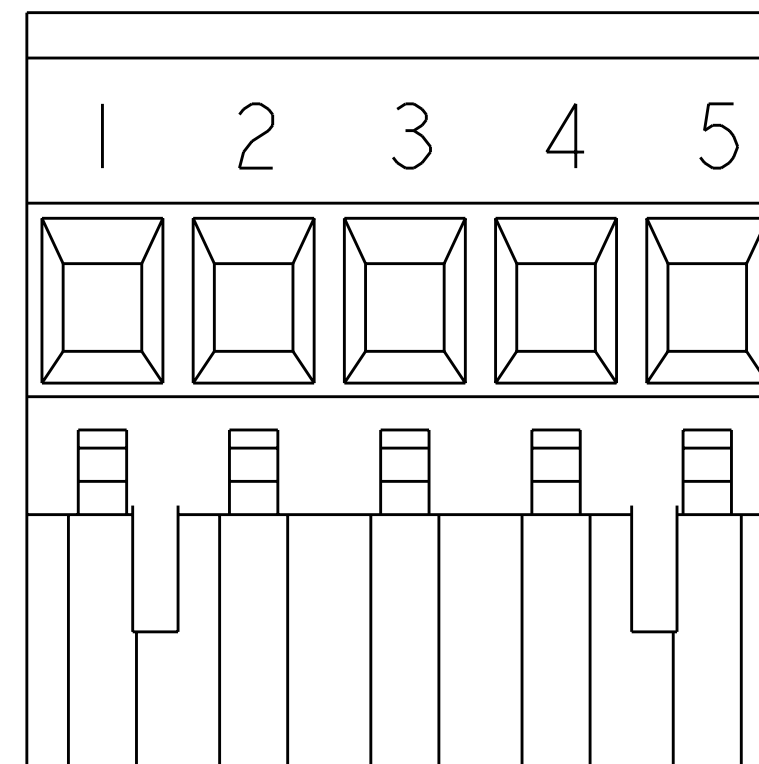
2-284046-7 AS SHOWN



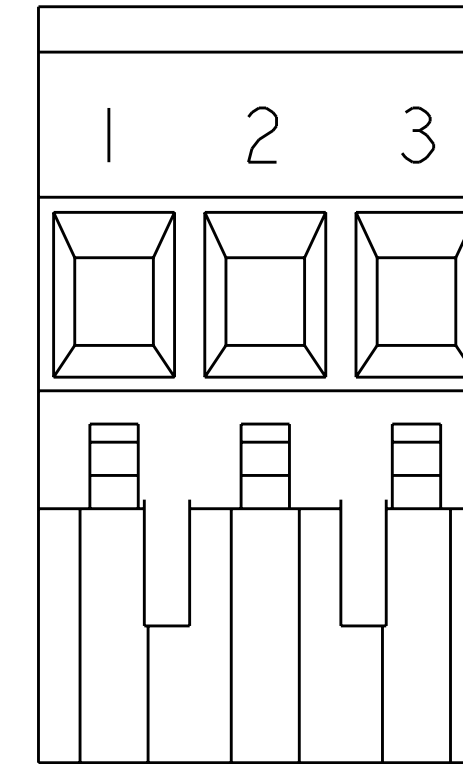
3-284046-0 AS SHOWN



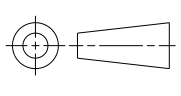
2-284046-6 AS SHOWN



2-284046-9 AS SHOWN

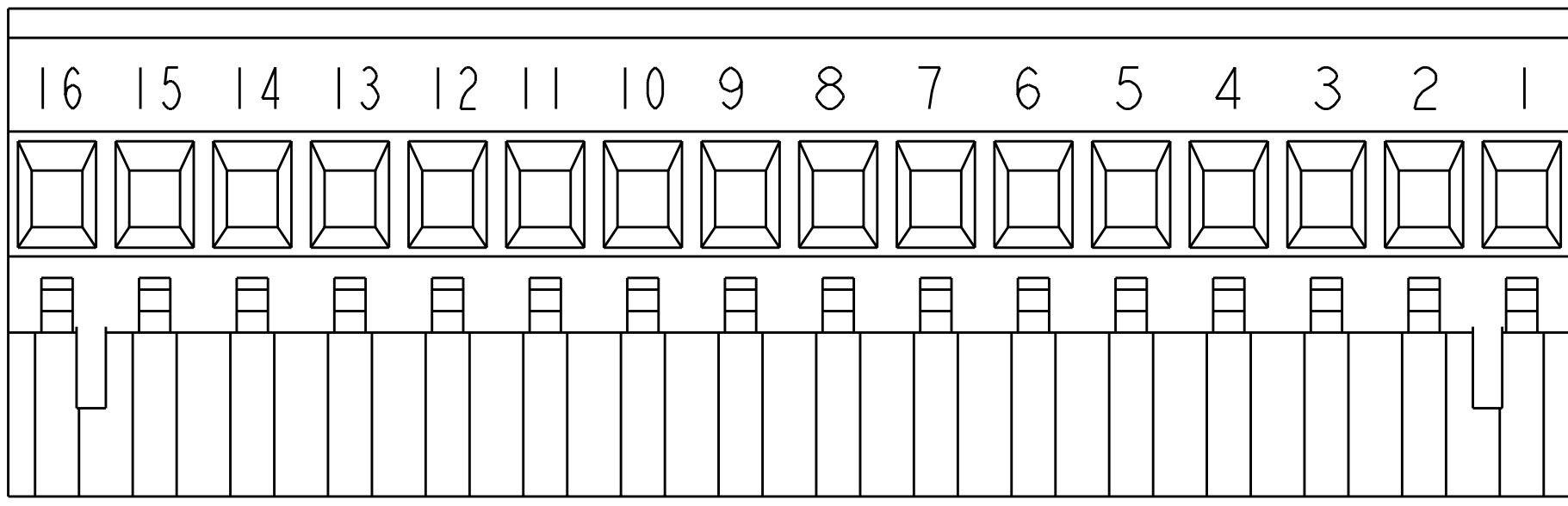


3-284046-1 AS SHOWN

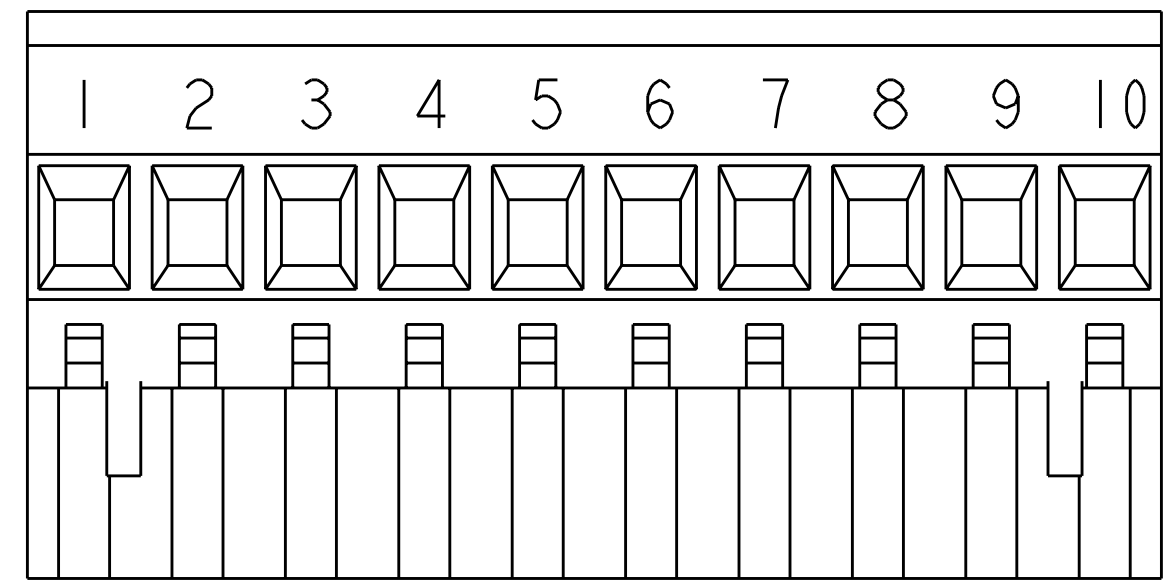
<small>THIS DRAWING IS A CONTROLLED DOCUMENT FOR TYCO ELECTRONICS CORPORATION. IT IS SUBJECT TO CHANGE AND THE CONTROLLING ENGINEERING ORGANIZATION SHOULD BE CONTACTED FOR THE LATEST REVISION.</small>		DWN <u>S. WELDON</u> 05FEB2003 CHK <u>C. RICHARD</u> 05FEB2003 APVD <u>C. RICHARD</u> 05FEB2003	Tyco Electronics Harrisburg, PA 17105-3608
DIMENSIONS: mm 	TOLERANCES UNLESS OTHERWISE SPECIFIED: 0 PLC ± - 1 PLC ± .3 2 PLC ± .25 3 PLC ± - 4 PLC ± - ANGLES ± 2 FINISH	PRODUCT SPEC - APPLICATION SPEC - WEIGHT -	NAME <b>TERMINAL BLOCK, VERTICAL PLUG, STACKING, RIGHT HAND, 5.00mm PITCH</b> SIZE <b>A2</b> CAGE CODE <b>00779</b> DRAWING NO <b>284046</b> RESTRICTED TO -
MATERIAL -		CUSTOMER DRAWING SCALE <b>4:1</b> SHEET <b>2</b> OF <b>3</b> REV <b>E1</b>	

THIS DRAWING IS UNPUBLISHED. RELEASED FOR PUBLICATION 20  
 © COPYRIGHT 20 BY TYCO ELECTRONICS CORPORATION. ALL RIGHTS RESERVED.

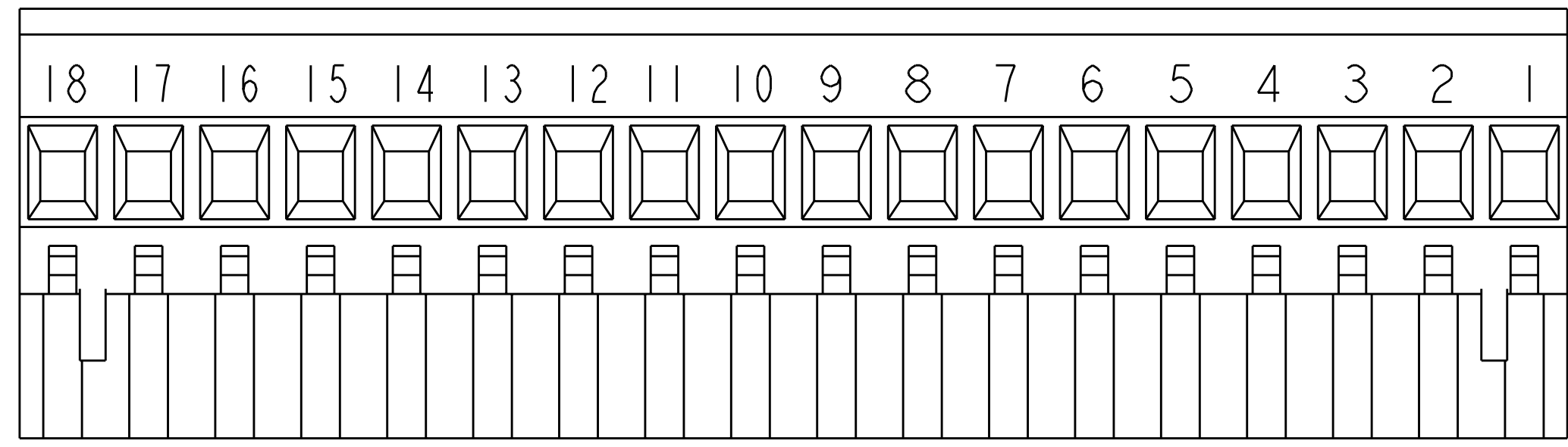
LOC	DIST	REVISIONS			
P	LTR	DESCRIPTION	DATE	DWN	APVD
FT	0	-	SEE SHEET 1	-	-



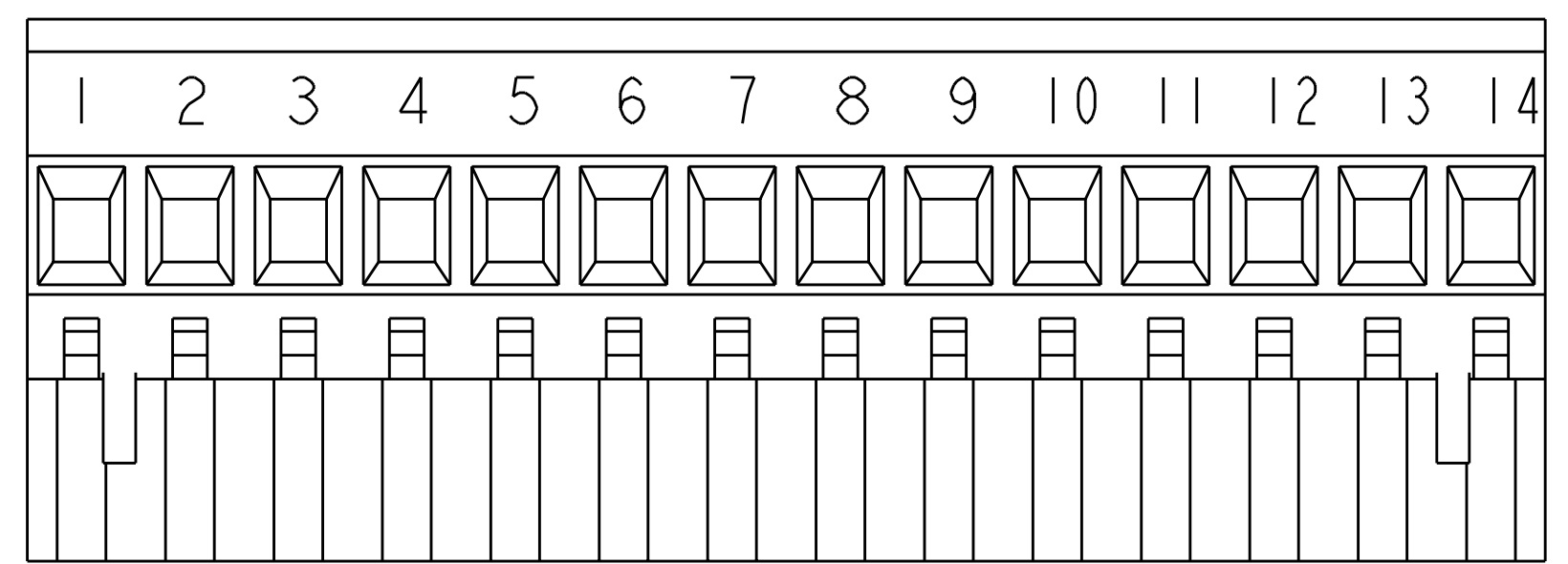
3-284046-2 AS SHOWN  $\triangle$  5



3-284046-4 AS SHOWN



3-284046-3 AS SHOWN  $\triangle$  5



3-284046-5 AS SHOWN

<small>THIS DRAWING IS A CONTROLLED DOCUMENT FOR TYCO ELECTRONICS CORPORATION. IT IS SUBJECT TO CHANGE AND THE CONTROLLING ENGINEERING ORGANIZATION SHOULD BE CONTACTED FOR THE LATEST REVISION.</small>		DWN S. WELDON 05FEB2003 CHK C. RICHARD 05FEB2003 APVD C. RICHARD 05FEB2003	<b>Tyco Electronics</b> Harrisburg, PA 17105-3608
DIMENSIONS: mm 	TOLERANCES UNLESS OTHERWISE SPECIFIED: 0 PLC ± - 1 PLC ± .3 2 PLC ± .25 3 PLC ± - 4 PLC ± - ANGLES ± 2 FINISH	PRODUCT SPEC - APPLICATION SPEC - WEIGHT -	NAME <b>TERMINAL BLOCK, VERTICAL PLUG, STACKING, RIGHT HAND, 5.00mm PITCH</b>
MATERIAL		SIZE A2	CAGE CODE 00779
		DRAWING NO. 284046	RESTRICTED TO -
CUSTOMER DRAWING		SCALE 3:1	SHEET 3 OF 3 REV E1