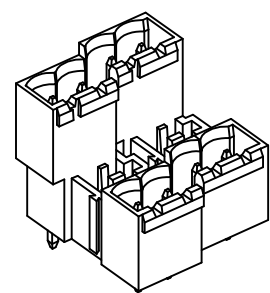
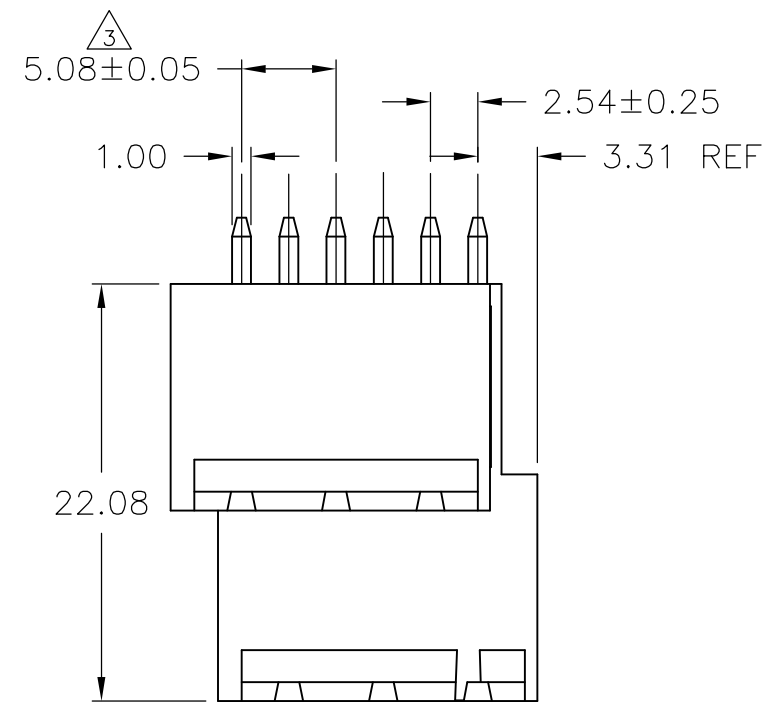
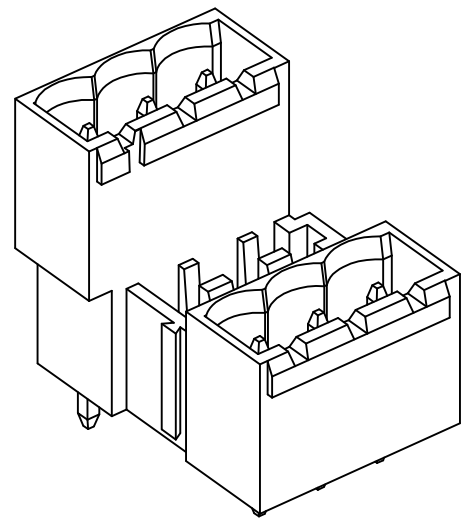


THIS DRAWING IS UNPUBLISHED. RELEASED FOR PUBLICATION
 © COPYRIGHT BY TYCO ELECTRONICS CORPORATION. ALL INTERNATIONAL RIGHTS RESERVED.

LOC	DIST	REVISIONS					
		P	LTR	DESCRIPTION	DATE	DWN	APVD
			C2	REVISED PER ECO-08-024222	30SEP08	HMR	CR

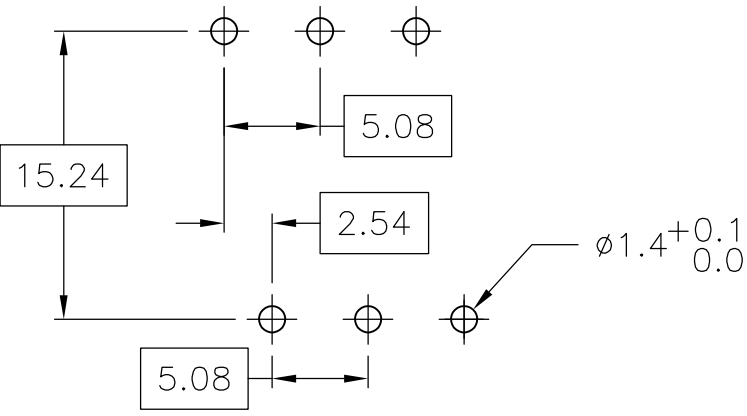
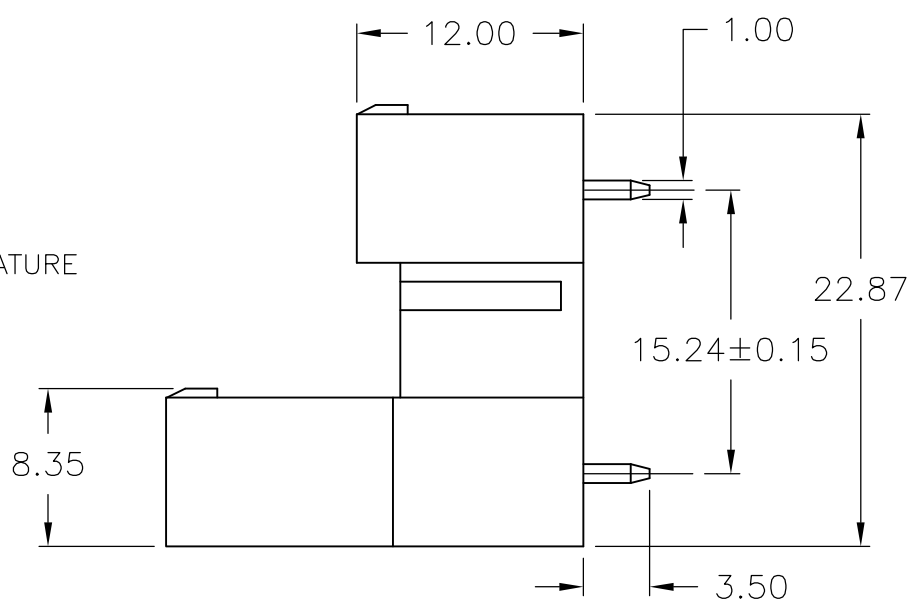
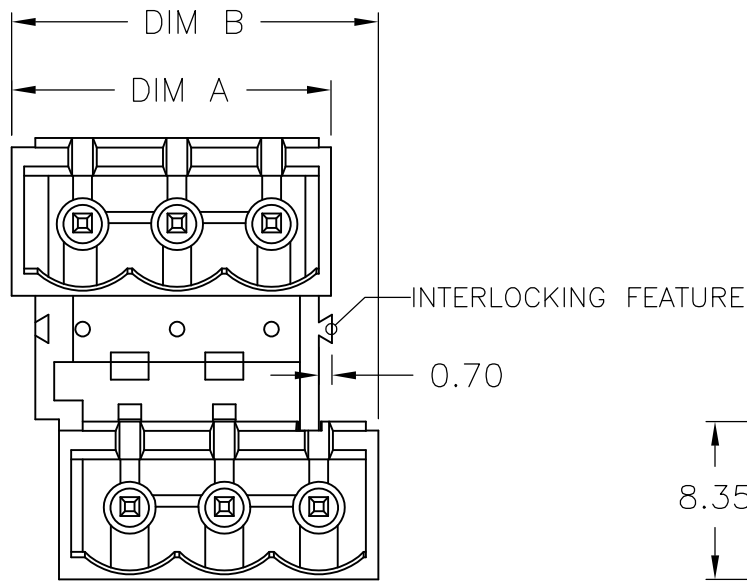


EXPLODED VIEW OF 284064-4



284065-3 AS SHOWN

5 MODULES AND KEYS TO BE GLUED IN PLACE.



RECOMMENDED PC BOARD LAYOUT

- 1 MATERIALS AND FINISH:
HOUSING: PA 6-6, UL94V-0, COLOR GREEN.
TERMINAL: PHOSPHOR BRONZE, TIN PLATED.
- 2 SUITABLE FOR 1.6-2.4mm PC BOARD THK.
- 3 NON CUMULATIVE TOLERANCE.
- 4 P/N FROM 28465-3 TO 2-284065-5 ARE OBTAINED BY ASSEMBLING DIFFERENT MONOLITHIC MODULES CHOOSEN AMONG: 284065-2 AND 284065-3, IN ORDER TO REALIZE THE DESIRED NO. OF WAYS.

5	108.72	111.26	21	3-284065-3
5	78.24	80.78	15	3-284065-2
5	83.32	85.86	16	3-284065-1
5	123.96	126.50	24	3-284065-0
5	123.96	126.50	24	2-284065-9
5	93.48	96.02	18	2-284065-8
5	83.32	85.86	16	2-284065-7
5	63.00	65.54	12	2-284065-6
5	129.92	132.46	25	2-284065-5
5	123.96	126.50	24	2-284065-4
5	118.88	121.42	23	2-284065-3
5	113.80	116.34	22	2-284065-2
5	108.72	111.26	21	2-284065-1
5	103.64	106.18	20	2-284065-0
5	98.56	101.10	19	1-284065-9
5	93.48	96.02	18	1-284065-8
5	88.40	90.94	17	1-284065-7
5	83.32	85.86	16	1-284065-6
5	78.24	80.78	15	1-284065-5
5	73.16	74.50	14	1-284065-4
5	68.08	70.62	13	1-284065-3
5	63.00	65.54	12	1-284065-2
5	57.92	60.46	11	1-284065-1
5	52.84	55.38	10	1-284065-0
5	47.76	50.30	9	284065-9
5	42.68	45.22	8	284065-8
5	37.60	40.14	7	284065-7
5	32.52	35.06	6	284065-6
5	27.44	29.98	5	284065-5
5	22.36	24.90	4	284065-4
5	17.28	19.82	3	284065-3
5	12.2	14.74	2	284065-2
DIM "A"	DIM "B"	N°OF TOTAL POS.	PART NUMBER	

THIS DRAWING IS A CONTROLLED DOCUMENT.		DWN S SCHLEGEL 07MAR2008	Tyco Electronics Corporation Harrisburg, PA 17105-3608	
DIMENSIONS: mm		CHK C RICHARD 3/7/08		
TOLERANCES UNLESS OTHERWISE SPECIFIED:		APVD C RICHARD 3/7/08	NAME	
0 PLC ± -		PRODUCT SPEC	TERMINAL BLOCK, MULTIPLE HEADER, 180 DEGREE CLOSED ENDS, 5.08mm PITCH	
1 PLC ± 0.3		APPLICATION SPEC	SIZE CAGE CODE DRAWING NO RESTRICTED TO	
2 PLC ± 0.25		WEIGHT -	A3 00779 C-284065	
3 PLC ± -		CUSTOMER DRAWING	SCALE NTS	SHEET 1 OF 4
4 PLC ± -				REV C2
ANGLES ± 2'				
FINISH -				

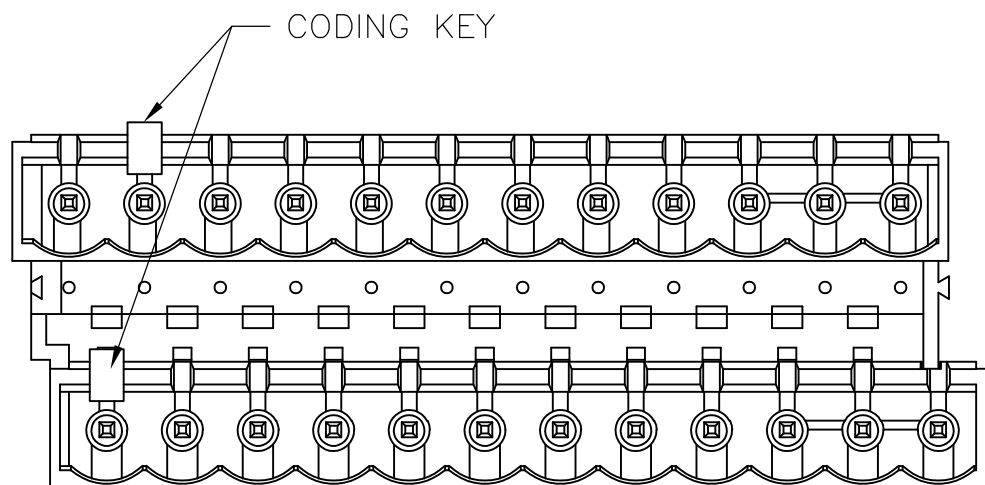
THIS DRAWING IS UNPUBLISHED.

RELEASED FOR PUBLICATION

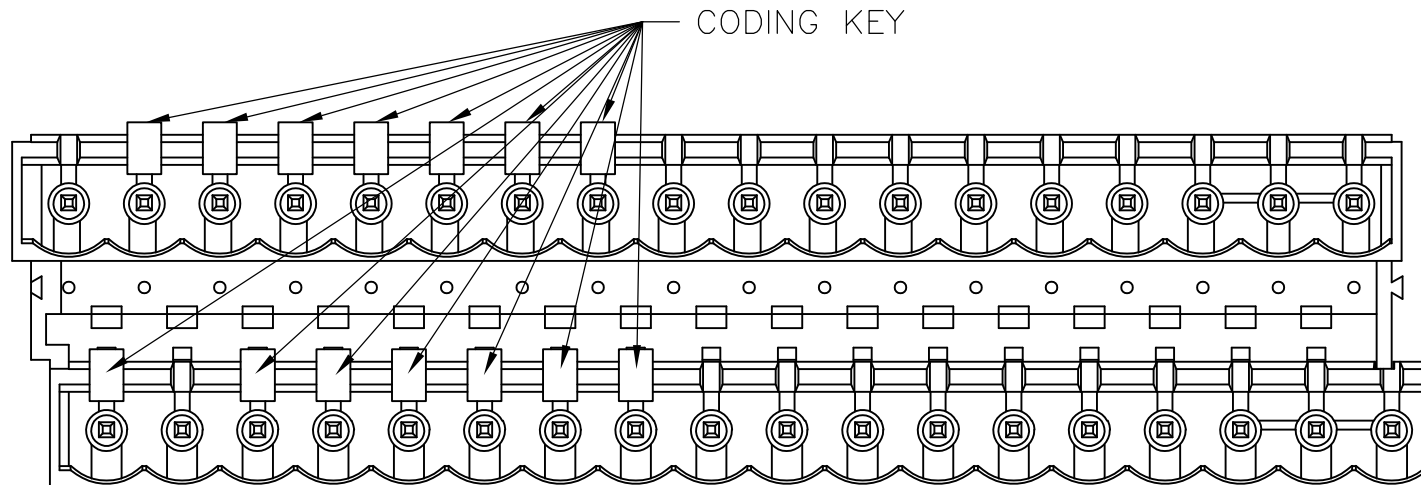
© COPYRIGHT - BY TYCO ELECTRONICS CORPORATION.

ALL INTERNATIONAL RIGHTS RESERVED.

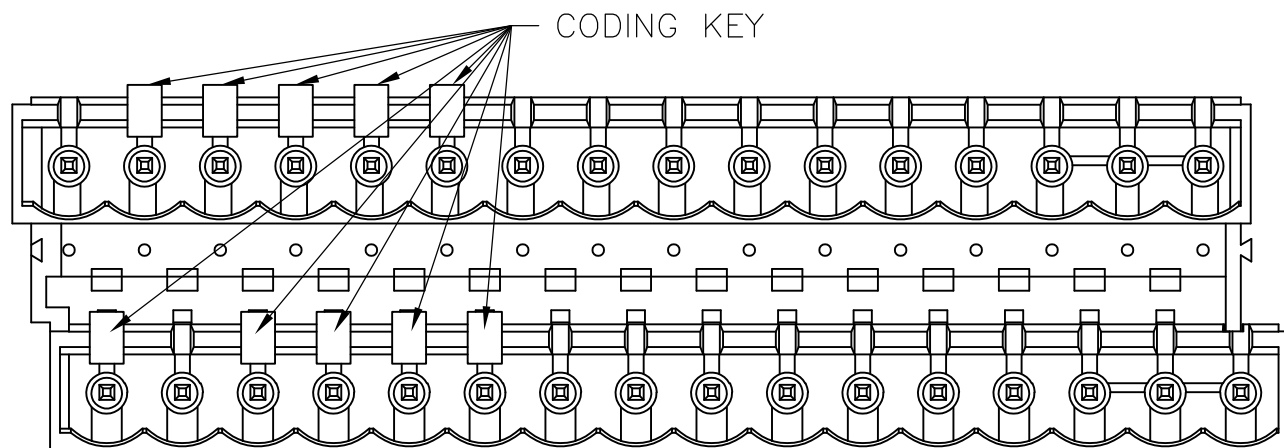
LOC	DIST	REVISIONS			
P	LTR	DESCRIPTION	DATE	DWN	APVD
-	-	SEE SHEET 1	-	-	-



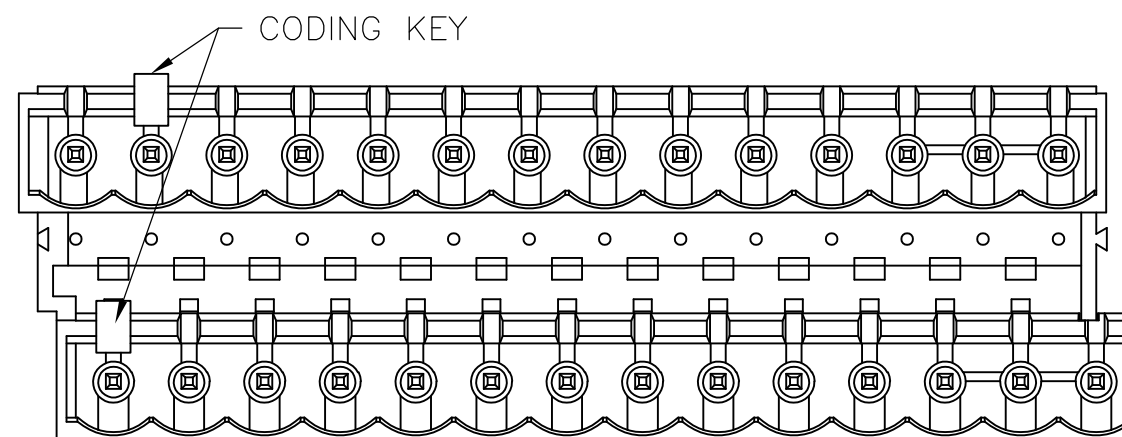
2-284065-6



2-284065-9



2-284065-7



2-284065-8

THIS DRAWING IS A CONTROLLED DOCUMENT.		DWN S SCHLEGEL 07MAR2008	Tyco Electronics Corporation Harrisburg, PA 17105-3608	
DIMENSIONS: mm		CHK C RICHARD 3/7/08		
TOLERANCES UNLESS OTHERWISE SPECIFIED:		APVD C RICHARD 3/7/08	NAME TERMINAL BLOCK, MULTIPLE HEADER, 180 DEGREE CLOSED ENDS, 5.08mm PITCH	
0 PLC ± - 1 PLC ± 0.3 2 PLC ± 0.25 3 PLC ± - 4 PLC ± - ANGLES ± 2°		PRODUCT SPEC -	SIZE A3	
MATERIAL -		FINISH -	CAGE CODE 00779	DRAWING NO C-284065
		APPLICATION SPEC -	RESTRICTED TO -	
		WEIGHT -	SCALE NTS	
		CUSTOMER DRAWING	SHEET 2 OF 4	
			REV C2	

THIS DRAWING IS UNPUBLISHED.

RELEASED FOR PUBLICATION

LOC

DIST

REVISIONS

© COPYRIGHT - BY TYCO ELECTRONICS CORPORATION.

ALL INTERNATIONAL RIGHTS RESERVED.

P LTR

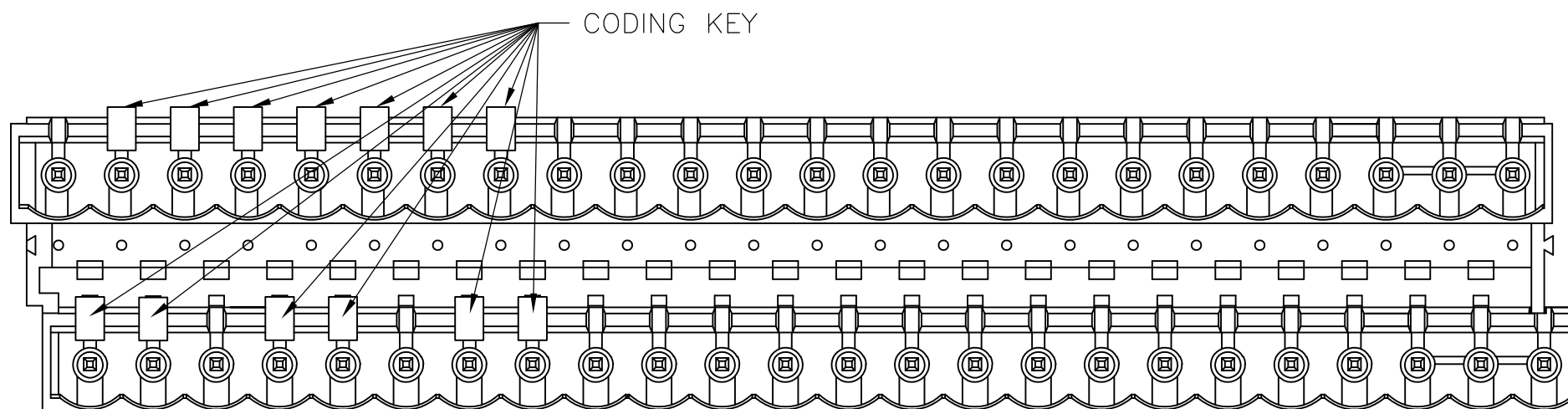
DESCRIPTION

DATE

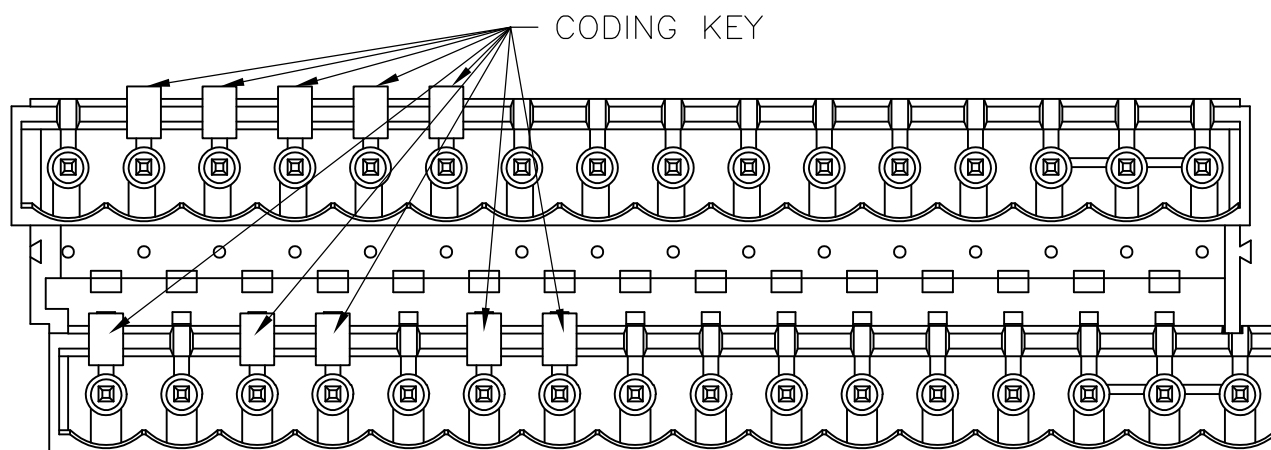
DWN

APVD

SEE SHEET 1



3-284065-0



3-284065-1

THIS DRAWING IS A CONTROLLED DOCUMENT.

DWN S SCHLEGEL 07MAR2008

CHK C RICHARD 3/7/08

APVD C RICHARD 3/7/08

PRODUCT SPEC

APPLICATION SPEC

WEIGHT -

CUSTOMER DRAWING



Tyco Electronics Corporation
Harrisburg, PA 17105-3608

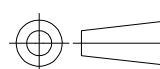
NAME
TERMINAL BLOCK, MULTIPLE HEADER, 180 DEGREE
CLOSED ENDS, 5.08mm PITCH

SIZE CAGE CODE DRAWING NO RESTRICTED TO

A3 00779 C-284065

SCALE NTS SHEET 3 OF 4 REV C2

DIMENSIONS:
mm



TOLERANCES UNLESS OTHERWISE SPECIFIED:

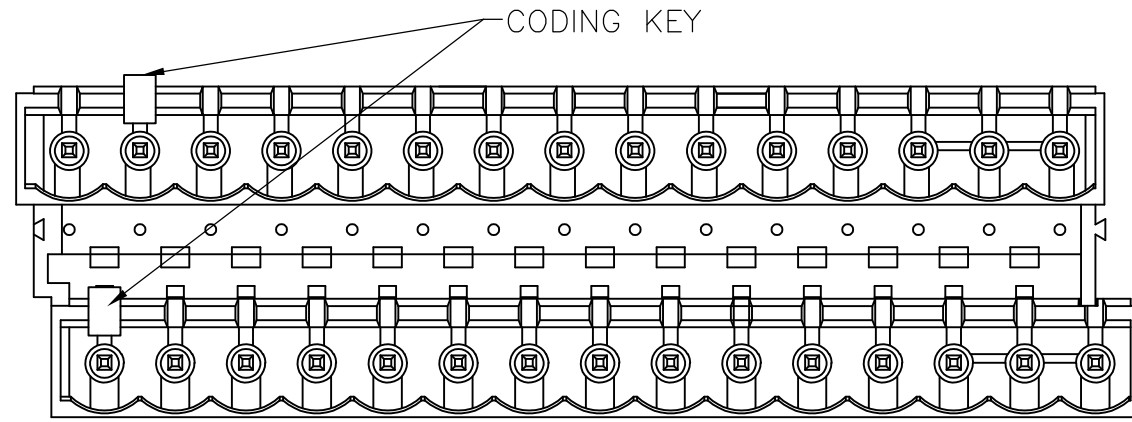
- 0 PLC ± -
- 1 PLC ± 0.3
- 2 PLC ± 0.25
- 3 PLC ± -
- 4 PLC ± -
- ANGLES ± 2'
- FINISH -

MATERIAL

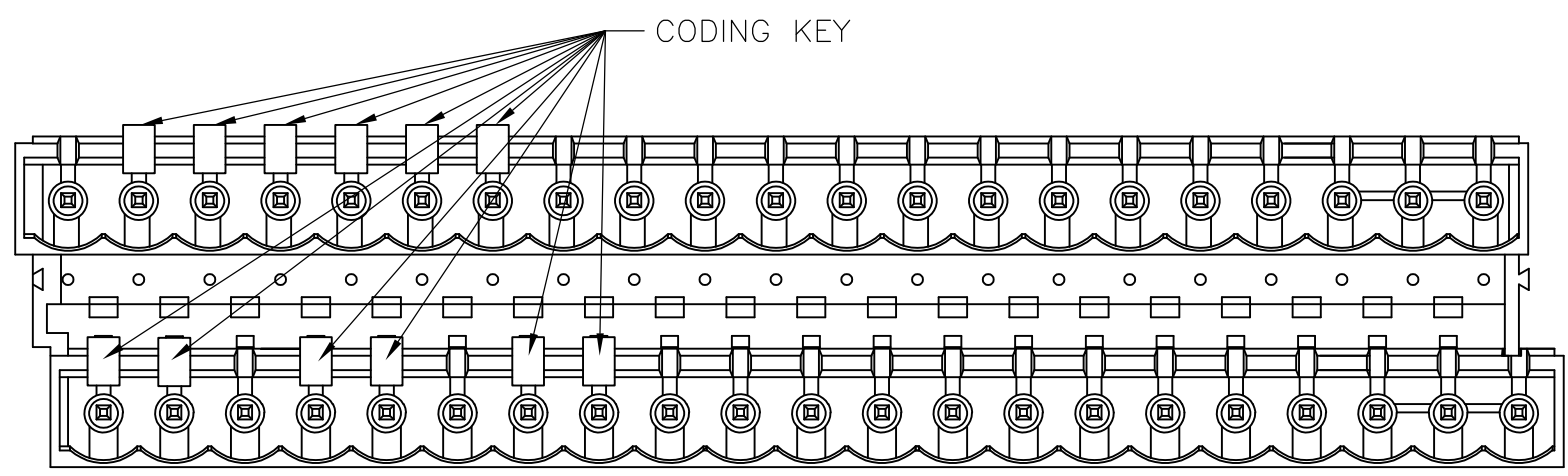
-

THIS DRAWING IS UNPUBLISHED. RELEASED FOR PUBLICATION
 © COPYRIGHT BY TYCO ELECTRONICS CORPORATION. ALL INTERNATIONAL RIGHTS RESERVED.

LOC		DIST		REVISIONS			
P	LTR	DESCRIPTION		DATE	DWN	APVD	
-	-	SEE SHEET 1		-	-	-	



3-284065-2



3-284065-3

THIS DRAWING IS A CONTROLLED DOCUMENT.		DWN	07MAR2008		Tyco Electronics Corporation Harrisburg, PA 17105-3608					
		CHK	3/7/08							
		APVD	3/7/08		NAME TERMINAL BLOCK, MULTIPLE HEADER, 180 DEGREE CLOSED ENDS, 5.08mm PITCH					
		PRODUCT SPEC								
		APPLICATION SPEC			RESTRICTED TO					
		WEIGHT			—					
		CUSTOMER DRAWING			SCALE	NTS	SHEET	4 OF 4	REV	C2

DIMENSIONS:	TOLERANCES UNLESS OTHERWISE SPECIFIED:
mm	
	0 PLC ± -
	1 PLC ± 0.3
	2 PLC ± 0.25
	3 PLC ± -
	4 PLC ± -
	ANGLES ± 2°
MATERIAL	FINISH
-	-