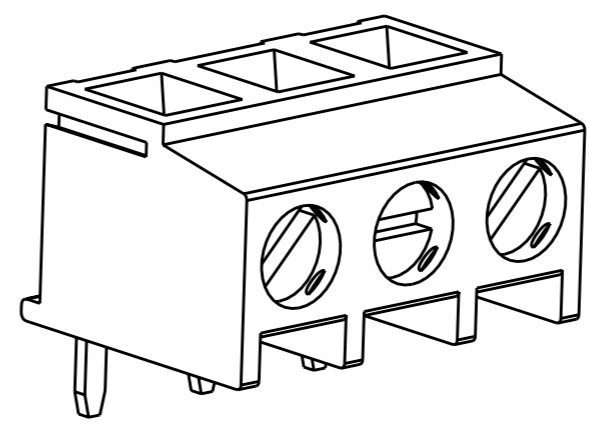
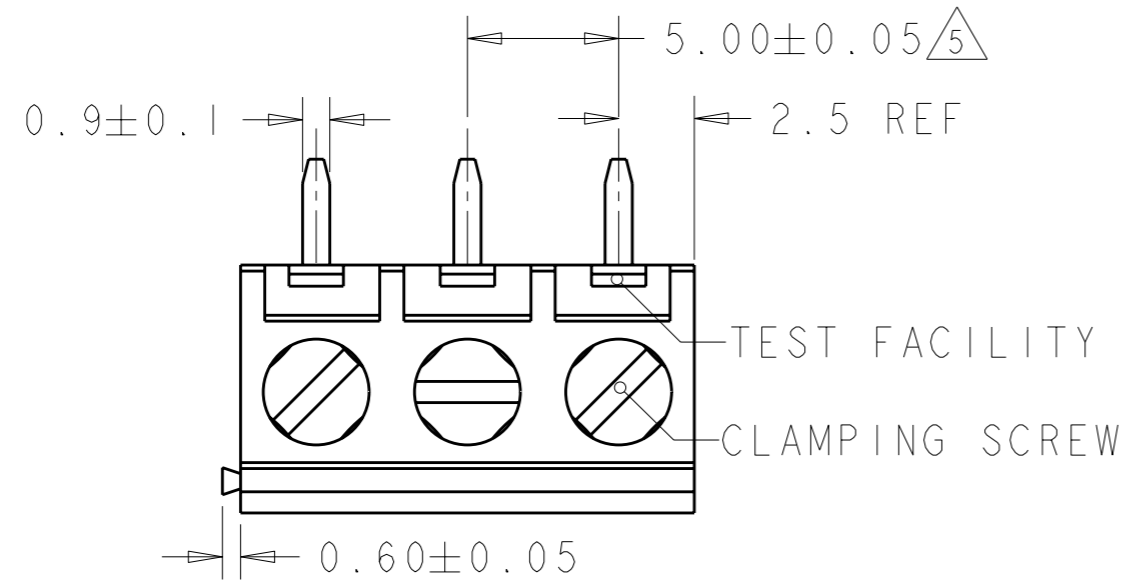
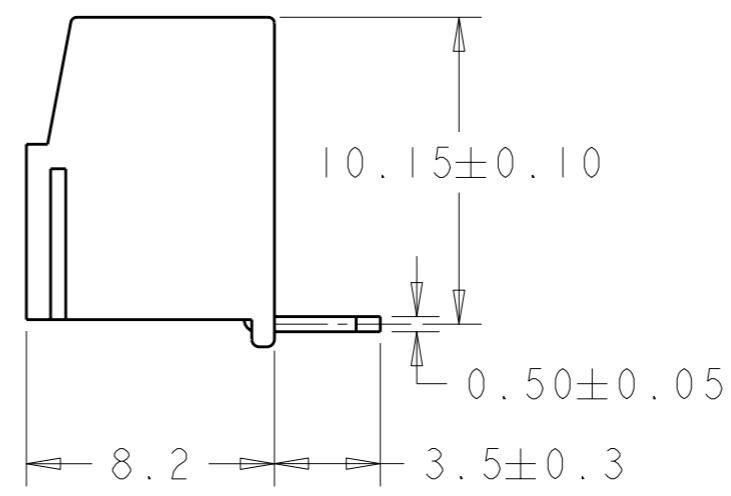
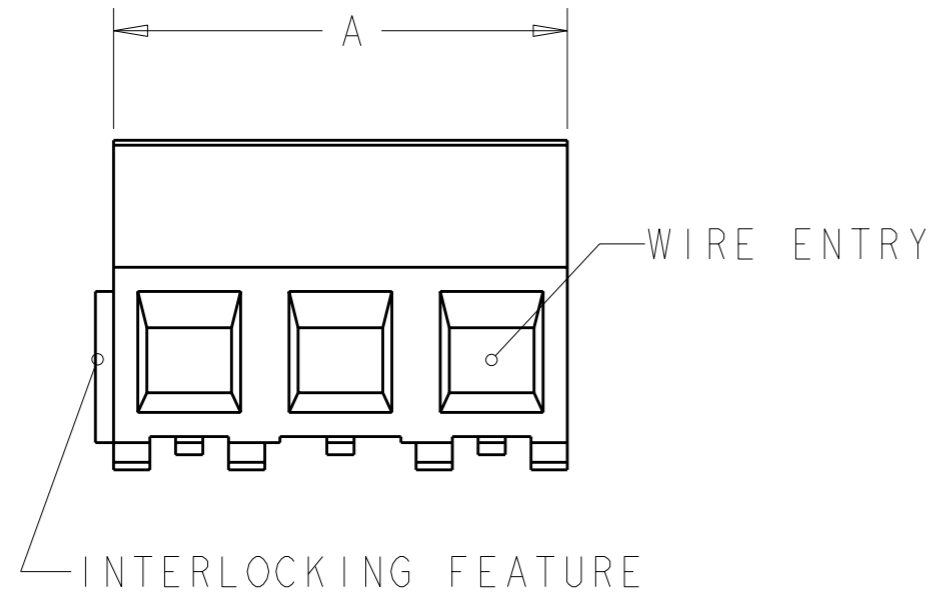


THIS DRAWING IS UNPUBLISHED. RELEASED FOR PUBLICATION 20
 © COPYRIGHT 20 BY TYCO ELECTRONICS CORPORATION. ALL RIGHTS RESERVED.

LOC	DIST	REVISIONS			
P	LTR	DESCRIPTION	DATE	DWN	APVD
FT	0				
	C	REVISED PER 0G3B-0106-01	10SEP2001	EZ	DB
	D	REVISED PER 0G3B-0119-01	10SEP2001	EZ	DB
	DI	REVISED PER ECO-08-018234	24JUL2008	HMR	CR

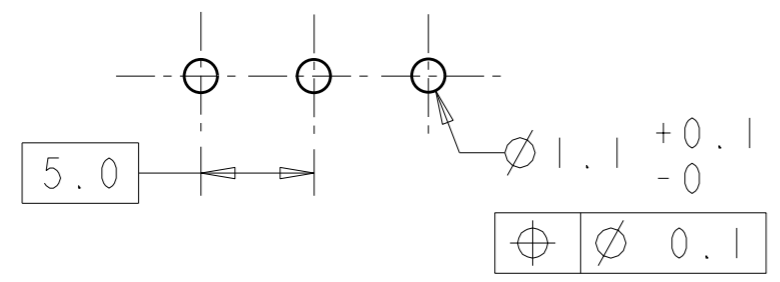


284093-3 AS SHOWN



125	25	2-284093-5
120	24	2-284093-4
115	23	2-284093-3
110	22	2-284093-2
105	21	2-284093-1
100	20	2-284093-0
95	19	1-284093-9
90	18	1-284093-8
85	17	1-284093-7
80	16	1-284093-6
75	15	1-282093-5
70	14	1-284093-4
65	13	1-284093-3
60	12	1-284093-2
55	11	1-284093-1
50	10	1-284093-0
45	9	284093-9
40	8	284093-8
35	7	284093-7
30	6	284093-6
25	5	284093-5
20	4	284093-4
15	3	284093-3
10	2	284093-2

RECOMMENDED PC BOARD LAYOUT


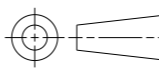


<small>THIS DRAWING IS A CONTROLLED DOCUMENT FOR TYCO ELECTRONICS CORPORATION. IT IS SUBJECT TO CHANGE AND THE CONTROLLING ENGINEERING ORGANIZATION SHOULD BE CONTACTED FOR THE LATEST REVISION.</small>		DWN E. ZANOLINI 10SEP2001 CHK D. BIEVENOUR 10SEP2001 APVD D. BIEVENOUR 10SEP2001		Tyco Electronics Tyco Electronics Harrisburg, PA 17105-3608	
DIMENSIONS: mm		TOLERANCES UNLESS OTHERWISE SPECIFIED: 0 PLC ±. 1 PLC ±.3 2 PLC ±.25 3 PLC ±. 4 PLC ±. ANGLES ±2		NAME TERMINAL BLOCK, PCB MOUNT TOP ENTRY WIRE, STACKING W/INTERLOCK, 5.00mm PITCH	
MATERIAL		FINISH		PRODUCT SPEC 10820166 APPLICATION SPEC 114-20079	
WEIGHT		CUSTOMER DRAWING		SIZE A3 CAGE CODE 00779 DRAWING NO. C-284093 RESTRICTED TO	
SCALE 4:1				SHEET 1 OF 2 REV DI	

THIS DRAWING IS UNPUBLISHED. RELEASED FOR PUBLICATION 20
 © COPYRIGHT 20 BY TYCO ELECTRONICS CORPORATION. ALL RIGHTS RESERVED.

LOC	DIST	REVISIONS			
P	LTR	DESCRIPTION	DATE	DWN	APVD
FT	0	-	SEE SHEET 1	-	-

- 1 MATERIALS AND FINISH
 HOUSING: PA 6-6, UL 94-V0, COLOR GREEN.
 CLAMP: BRASS, NICKEL PLATED.
 TERMINAL: BRASS, TIN PLATED.
 CLAMPING SCREW: M3, BRASS, NICKEL PLATED.
- 2 SUITABLE FOR 1,6-2,4mm PC BOARD THICKNESS.
- 3 END-TO-END STACKABLE W/INTERLOCK WITHOUT LOSS OF CENTERLINE SPACING.
- 4 WIRE SIZE RANGE
 SOLID WIRE: 0,03-1,5mm² (15AWG).
 STRANDED WIRE: 0,03-1mm² (17AWG).
- 5 NOT CUMULATIVE TOLERANCE.
- 6 PART COMPLIES WITH EN 60335-1.

<small>THIS DRAWING IS A CONTROLLED DOCUMENT FOR TYCO ELECTRONICS CORPORATION IT IS SUBJECT TO CHANGE AND THE CONTROLLING ENGINEERING ORGANIZATION SHOULD BE CONTACTED FOR THE LATEST REVISION.</small>		DWN E. ZANOLINI IOSEP2001 CHK D. BIEVENOUR IOSEP2001 APVD D. BIEVENOUR IOSEP2001		 Tyco Electronics Harrisburg, PA 17105-3608	
DIMENSIONS: mm 		TOLERANCES UNLESS OTHERWISE SPECIFIED: 0 PLC ±- 1 PLC ±- 2 PLC ±- 3 PLC ±- 4 PLC ±- ANGLES ±2		NAME TERMINAL BLOCK, PCB MOUNT TOP ENTRY WIRE, STACKING W/INTERLOCK, 5.00mm PITCH	
MATERIAL - FINISH -		PRODUCT SPEC - APPLICATION SPEC - WEIGHT -		SIZE A3 CAGE CODE 00779 DRAWING NO C-284093 RESTRICTED TO -	
CUSTOMER DRAWING				SCALE 4:1 SHEET 2 OF 2 REV D1	