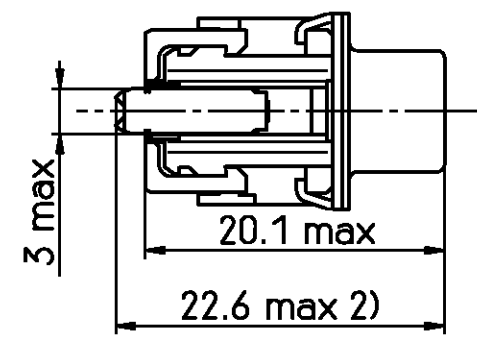
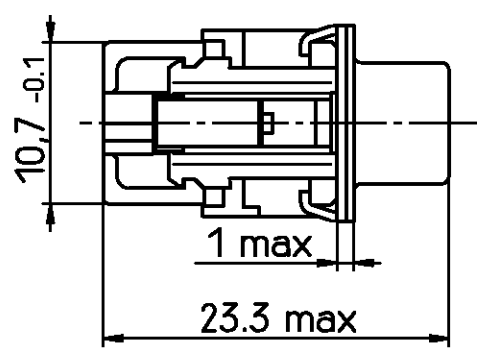
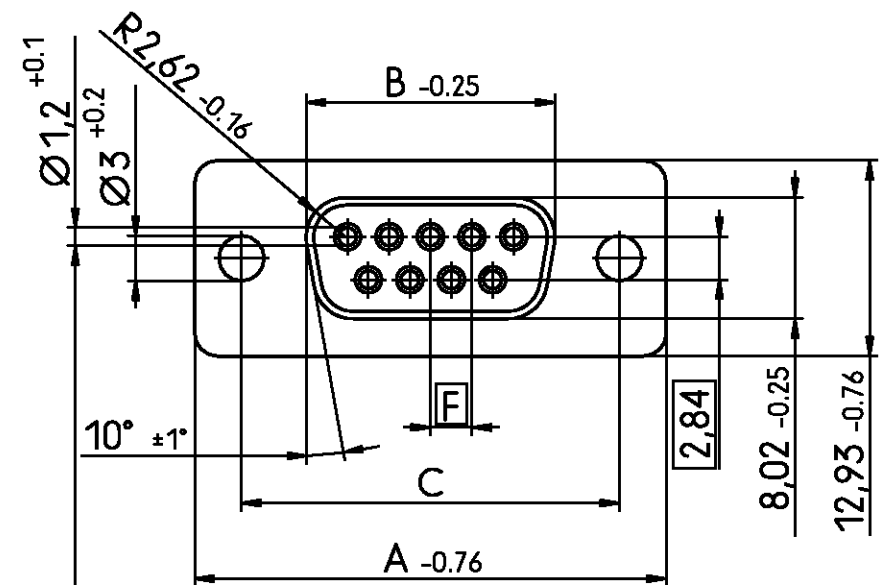


THIS INFORMATION IS CONFIDENTIAL AND PROPRIETARY TO TYCO ELECTRONICS CORPORATION AND ITS WORLDWIDE SUBSIDIARIES AND AFFILIATES. IT MAY NOT BE DISCLOSED TO ANYONE, OTHER THAN TYCO ELECTRONICS PERSONNEL, WITHOUT WRITTEN AUTHORIZATION FROM TYCO ELECTRONICS CORPORATION, HARRISBURG PENNSYLVANIA USA

Standardausführung: V42254-A5235-B***
 standard version: V42254-A5237-B***

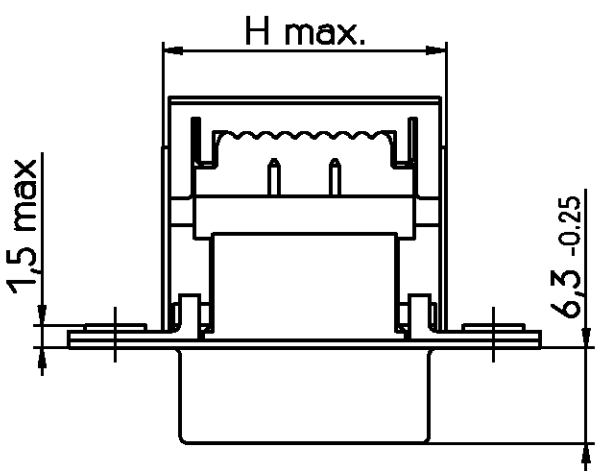
Maße mit Oberteil
 im vorgerasteten Zustand
 dimensions with press-on
 cover prelatched

Maße mit Oberteil im verpreßten Zustand und montierten
 Zugentlastungsbügel (standardmäßig nicht mitgeliefert)
 dimensions with press-on cover pressed down and with mounted
 strain relief clamp (not standard included)



zu verwenden Zugentlastungsbügel:
 strain relief clamp to use:

- 9 p.: V42254-A4000-D9
4-1393560-3
- 15 p.: V42254-A4000-D15
4-1393560-5
- 25 p.: V42254-A4000-D25
4-1393560-6
- 37 p.: V42254-A4000-D37
4-1393560-7



Gesamtleiter- querschnitt mm ² overall conductor cross-sectional area mm ²	AWG- Bereich AWG range	Gesamtleiter- durchmesser mm overall conductor diameter mm	Anzahl der Einzellitzen no. of single stranded wires	Leiter // conductor	Isolierhülle insulating sleeve	
					Durchmesser diameter	Material
-	30	0.25 ³⁾	1	Massiv // solid	1 => 1.1 max	PVC
-	28	0.32 ³⁾	1	Massiv // solid	0.8 => 1.1 max	PVC
0.09 ³⁾	28	-	7	Litze // stranded	0.8 => 1.1 max	PVC
0.14	26	-	7	Litze // stranded	0.8 => 1.1 max	PVC

Sachnr. ordering code V42254-A523*-	Polzahl no. of contacts	dimension Maß				
		A	B	C	F	H
B*09	09	31.19	16.46	25.0 ^{+0.12} _{-0.13}	2.74	18.73
B*15	15	39.52	24.79	33.3 ^{+0.15} _{-0.1}	2.74	27.26
B*25	25	53.42	38.5	47.04 ^{+0.13} _{-0.13}	2.76	40.78
B*37	37	69.7	54.96	63.5 ^{+0.13} _{-0.13}	2.76	57.44

Zu verwendende Leitungen // cables to be used

Flachbandkabel // ribbon cable
 Verwendet werden können alle // all commercially available
 handelsüblichen Kabel mit: // cables with:

- einer Isolierhülle aus PVC // - insulation sleeve made of PVC
- verzinnnten oder versilberten // - tin-coated or silver-plated
Kupferdrähten // copper wires

Anforderungsstufe
 performance level 1)

3) nur mit Zugentlastungsbügel verwenden
 2) Maße mit Zugentlastungsbügel
 1) nach DIN 41652 T.2 und T.4

3) only to use with strain relief clamp
 2) dimensions with strain relief clamp
 1) according to DIN 41652 p.2 and p.4

dargestellt wird die 9-polige
 Ausführung
 drawn is the 9-contacts
 version

tyco TYCO ELECTRONICS CORPORATION		SCALE 2:1		WEIGHT	
OOSTKAMP - BELGIUM		DIMENSIONS IN MM		MATERIAL	
DATE 06.05.91		PART NAME		Sub-D Schneidklemmanschluß	
NAME Sterckx		DEP. PE Com PE&SE		Buchsenleiste (für Flachleitungen / in Blister)	
C EH01-1172-03 07 OCT 03 KV		TOLERANCE UNLESS SPECIFIED OTHERWISE		PART NO.	
B SR10-0227-01 31 MAY 01 KV		V42254-A523*-B***-*-27		SHT. 1+	
A WO00/7020 28 AUG 00 KV		Customer Drawing Nr. C 8-1393485-7		OF 4	
05 WO96/2536 20.09.96 DG					
04 WO94/155 28.03.94 RST					
REV. CHANGE ORDER		DATE		APP.	

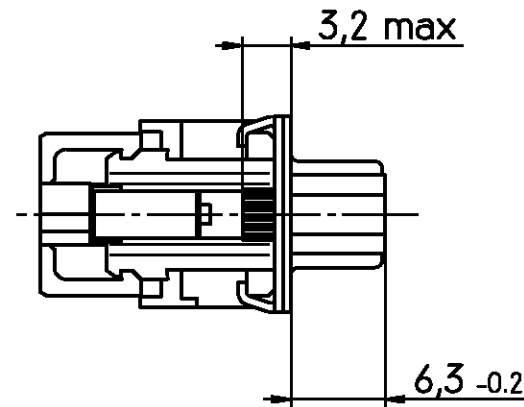
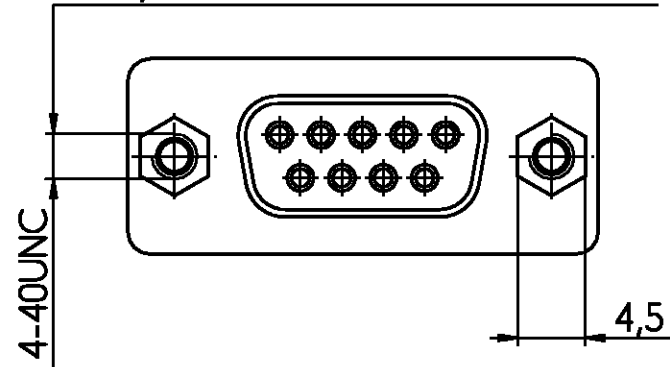
PROPRIETARY:

THIS INFORMATION IS CONFIDENTIAL AND PROPRIETARY TO TYCO ELECTRONICS CORPORATION AND ITS WORLDWIDE SUBSIDIARIES AND AFFILIATES. IT MAY NOT BE DISCLOSED TO ANYONE, OTHER THAN TYCO ELECTRONICS PERSONNEL, WITHOUT WRITTEN AUTHORIZATION FROM TYCO ELECTRONICS CORPORATION, HARRISBURG PENNSYLVANIA USA

PROPRIETARY:

mit Gewindebolzen: V42254-A5236-B***
 with screwlock stud bolts: V42254-A5238-B***

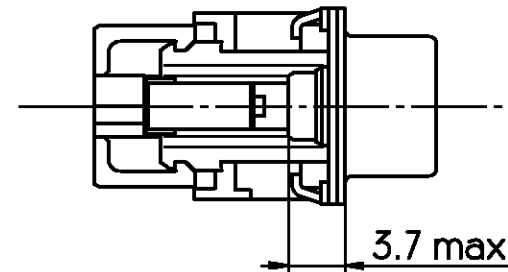
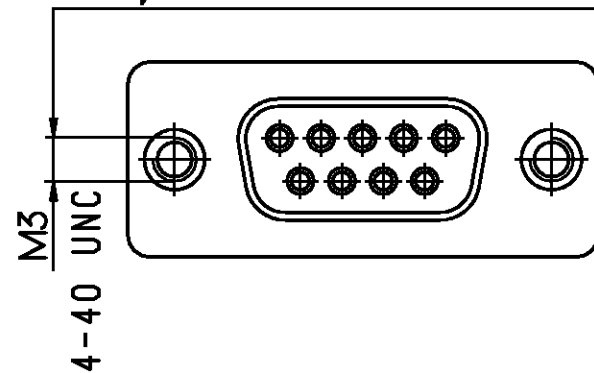
Verdrehsicherheit \geq 70 Ncm
 torque retention \geq 70 Ncm



mit Stop-Mutter :
 with self locking nuts:

M3: V42254-A5234-B*** 4-40UNC: V42254-A5232-B***
 V42254-A5239-B*** V42254-A5233-B***

Verdrehsicherheit \geq 70 Ncm
 torque retention \geq 70 Ncm



dargestellt wird die 9-polige Ausführung
 drawn is the 9-contacts version

tyco		TYCO ELECTRONICS CORPORATION				SCALE 2:1	WEIGHT
Electronics		OOSTKAMP - BELGIUM		Loc		DIMENSIONS IN MM	
				DATE	06.05.91	PART NAME	
				NAME	Sterckx	Sub-D Schneidklemmanschluß	
				DEP.	PE Com PE&SE	Buchsenleiste (für Flachleitungen / in Blister)	
						D-Sub IDC	
						female connector (for ribbon cables/ in blister pack)	
				TOLERANCE UNLESS SPECIFIED OTHERWISE		PART NO.	
						V42254-A523*-B***-*-27	
C		SEE SHEET 1				SHT. 2+	
REV.	CHANGE ORDER	DATE	APP.	Customer Drawing Nr. C 8-1393485-7		OF 4	

THIS INFORMATION IS CONFIDENTIAL AND PROPRIETARY TO TYCO ELECTRONICS CORPORATION AND ITS WORLDWIDE SUBSIDIARIES AND AFFILIATES. IT MAY NOT BE DISCLOSED TO ANYONE, OTHER THAN TYCO ELECTRONICS PERSONNEL, WITHOUT WRITTEN AUTHORIZATION FROM TYCO ELECTRONICS CORPORATION, HARRISBURG PENNSYLVANIA USA

PROPRIETARY:

V 4 2 2 5 4 - A 5 * * * - B * * *

Anschlußausführung // connection type
 2 AWG 26/28 Litze oder // AWG 26/28 stranded
 AWG 28/30 Massiv // or AWG 28/30 solid

Anschlußoberfläche // tail surface
 3 verzinkt // tinned

Polzahl - Gehäusegröße // no. of contacts / housing size
 09 9-polig - Gehäusegröße 1 // 9-contacts / housing size 1
 15 15-polig - Gehäusegröße 2 // 15-contacts / housing size 2
 25 25-polig - Gehäusegröße 3 // 25-contacts / housing size 3
 37 37-polig - Gehäusegröße 4 // 37-contacts / housing size 4

Steckverbinderunterscheidung // connector version				
	verzinkt tinned	mit tyco- Beschriftung auf Blechteil with tyco marking on the shell	mit Stop- mutter with self locking nuts	mit Gewinde- bolzen with screwlock stud bolts
2	Ja // yes	Ja // yes	4-40UNC	nein // no
3	Ja // yes	nein // no	4-40UNC	nein // no
4	Ja // yes	Ja // yes	M3	nein // no
5	Ja // yes	Ja // yes	nein // no	nein // no
6	Ja // yes	Ja // yes	nein // no	4-40UNC
7	Ja // yes	nein // no	nein // no	nein // no
8	Ja // yes	nein // no	nein // no	4-40UNC
9	Ja // yes	nein // no	M3	nein // no

Kontaktfläche / Kontaktart // contact surface / contact type
 1 Anforderungsstufe 1 / gerollte Kontakte // performance level I / rolled contacts
 2 Anforderungsstufe 2 / gerollte Kontakte // performance level II / rolled contacts

Steckerart // connector type
 B Buchsenleiste // female connector

tyco TYCO ELECTRONICS CORPORATION				SCALE	WEIGHT
OOSTKAMP - BELGIUM		LOC	DIMENSIONS	MATERIAL	
		GW	IN MM		
DATE	06.05.91	PART NAME		Sub-D Schneidklemmanschluß	
NAME	Sterckx	DEP.		Buchsenleiste (für Flachleitungen / in Blister)	
				D-Sub IDC	
				female connector (for ribbon cables/ in blister pack)	
		TOLERANCE UNLESS SPECIFIED OTHERWISE		PART NO.	SHT.
				V42254-A523*-B***-*-27	3+
C	SEE SHEET 1	Customer Drawing Nr. C 8-1393485-7		OF 4	
REV.	CHANGE ORDER	DATE	APP.		

Active part numbers. Contact Tyco Electronics for other configuration availability

Old Part Number	Tyco Part Number
V42254-A5232-B209	8-1393485-7
V42254-A5232-B215	8-1393485-8
V42254-A5232-B225	8-1393485-9
V42254-A5232-B237	9-1393485-0
V42254-A5234-B115	2-1392010-3
V42254-A5234-B209	0-1393486-9
V42254-A5234-B215	1-1393486-0
V42254-A5234-B225	1-1393486-1
V42254-A5234-B237	1-1393486-2
V42254-A5235-B109	3-1393486-0
V42254-A5235-B115	3-1393486-1
V42254-A5235-B125	3-1393486-2
V42254-A5235-B209	3-1393486-4
V42254-A5235-B215	3-1393486-5
V42254-A5235-B225	3-1393486-6
V42254-A5235-B237	3-1393486-7
V42254-A5237-B209	8-1393486-4
V42254-A5237-B215	8-1393486-6
V42254-A5237-B225	8-1393486-8
V42254-A5237-B237	9-1393486-0

A

B

C

D

E

F



Tyco Electronics Corporation
Oostkamp - Belgium



LOC DIMENSIONS IN MM
GW



SCALE
MATERIAL

WEIGHT

DATE	06.05.91
NAME	Sterckx
DEP.	PE Com PE&SE

PART NAME
Sub-D Schneidklemmanschluss
Buchsenleiste (for Flachleitungen / in Blister)
D-Sub IDC
female connector (for ribbon cables/ in blister pack)

PART NO.
V42254-A523*-B***-*-27

SHT. 4-

REV. C	SEE SHEET 1	DATE	APP.	Customer Drawing Nr. C 8-1393485-7	1
--------	-------------	------	------	------------------------------------	---

1	2	3	4
---	---	---	---

OF 4

THIS INFORMATION IS CONFIDENTIAL AND PROPRIETARY TO TYCO ELECTRONICS CORPORATION AND ITS WORLDWIDE SUBSIDIARIES AND AFFILIATES. IT MAY NOT BE DISCLOSED TO ANYONE, OTHER THAN TYCO ELECTRONICS PERSONNEL, WITHOUT WRITTEN AUTHORIZATION FROM TYCO ELECTRONICS CORPORATION, HARRISBURG, PENNSYLVANIA USA.

PROPRIETARY: