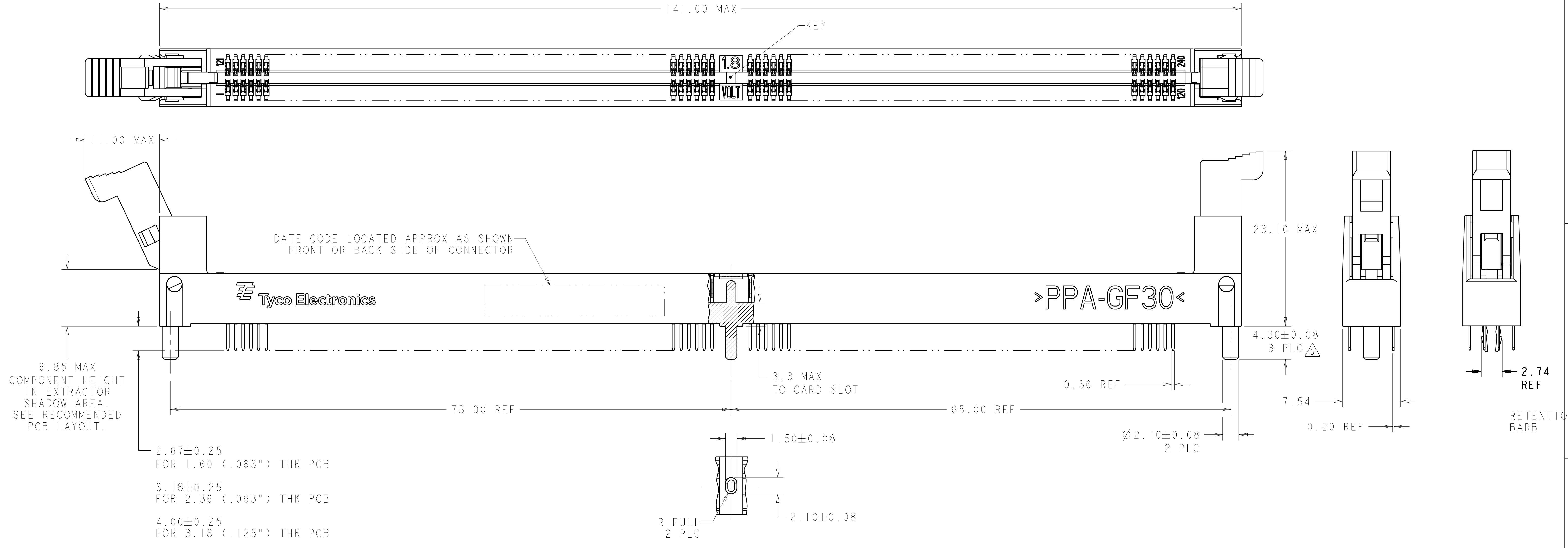
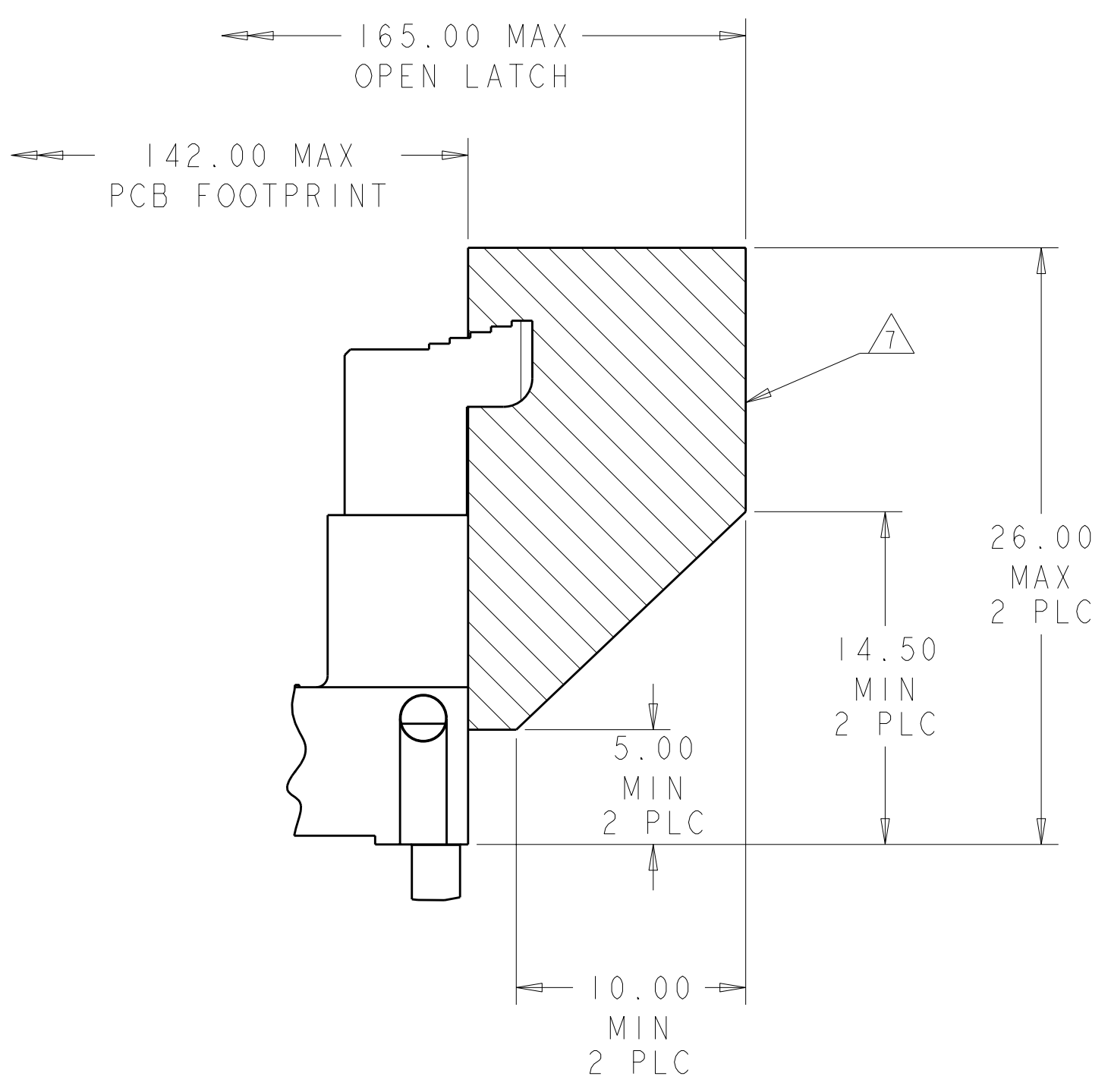


LOC	DIST	REV	DATE	BY	CHK	APPV	DESCRIPTION
GP	00	A	30SEP2005	DRR	MY		RELEASE PER ECO-05-009687
		A1	11NOV2005	BC	MY		REV PER ECO-05-012912
		B2	12JUL10	D.S.	S.Y.		ECR-10-013906



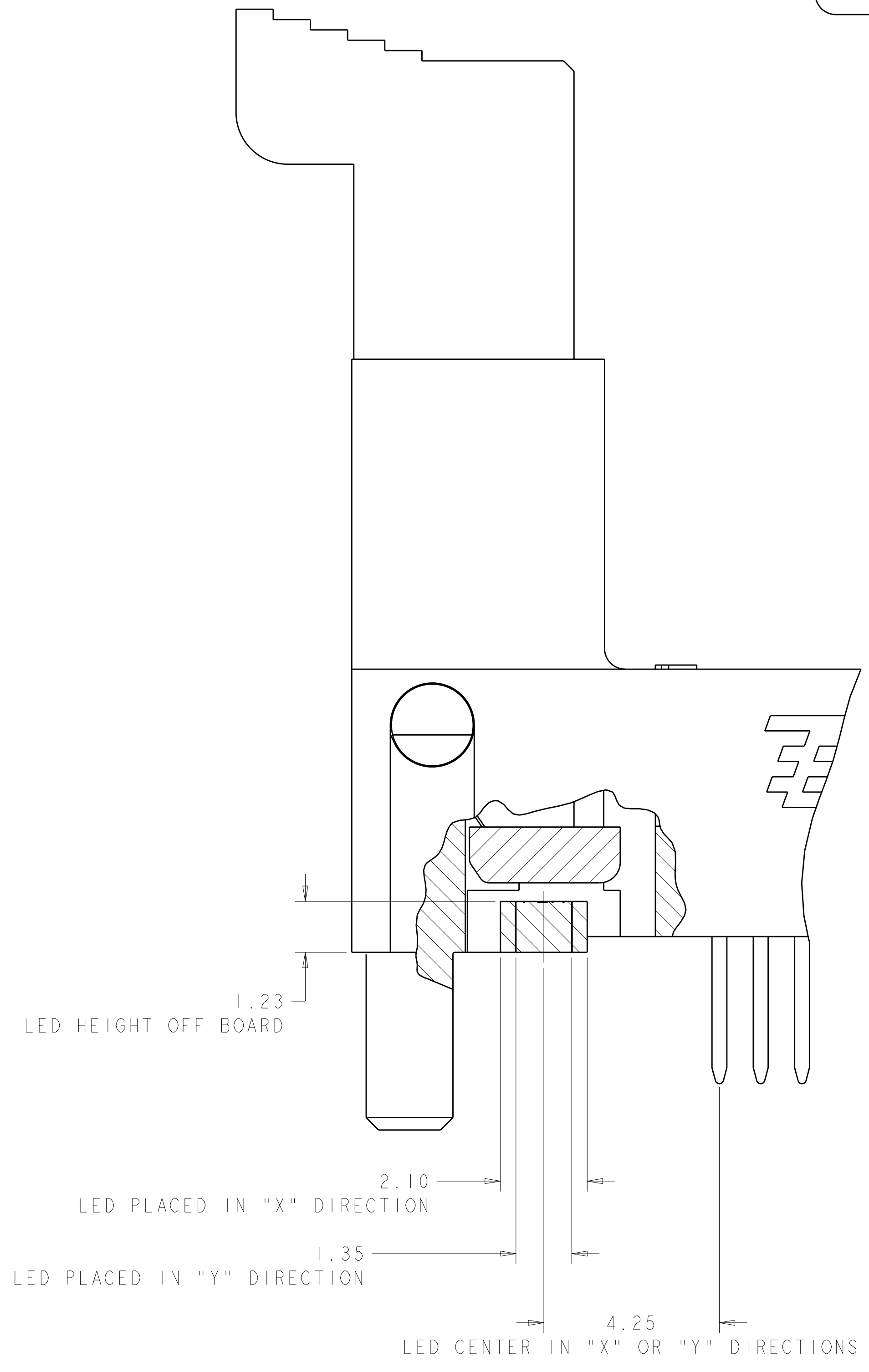
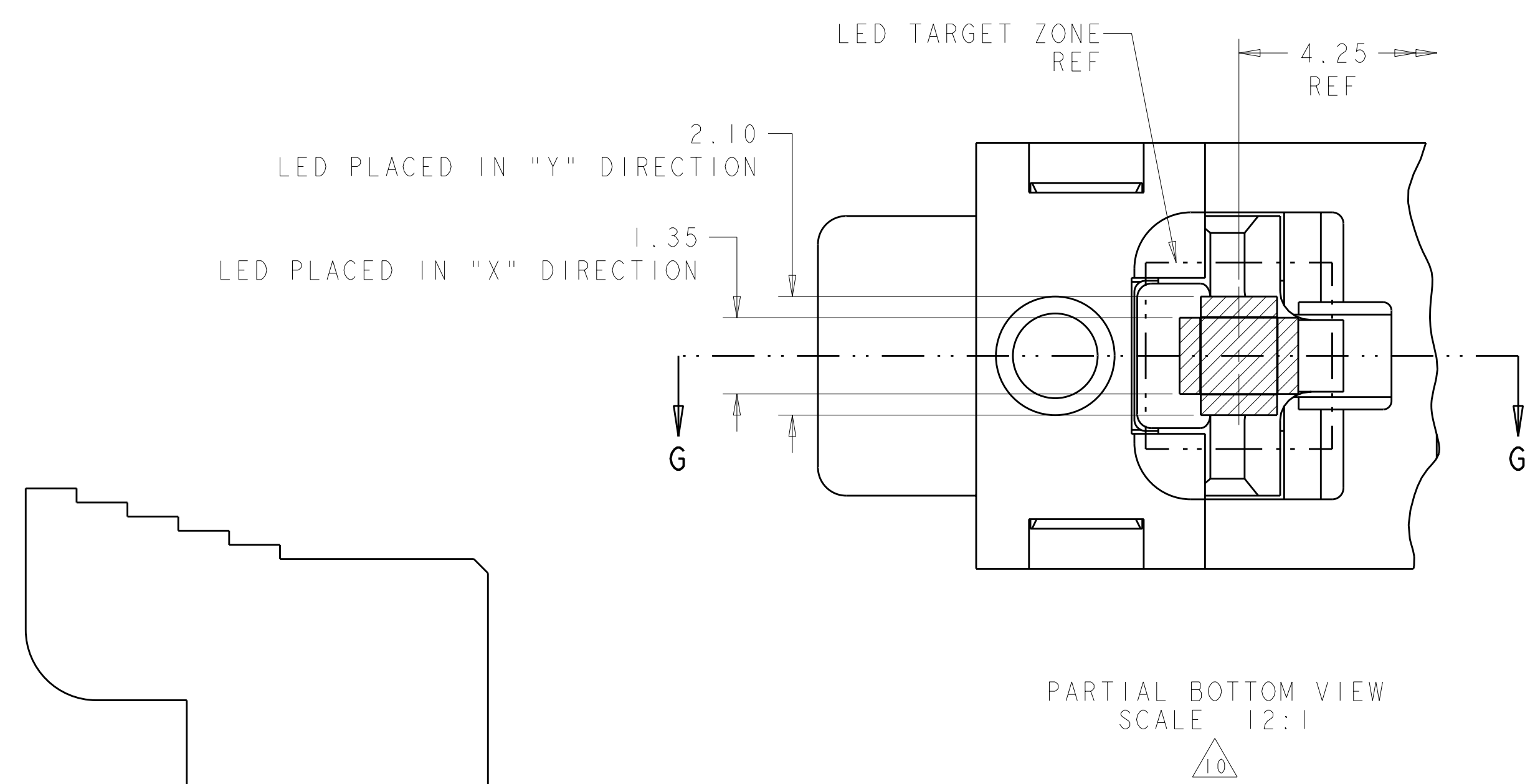
- MATERIALS:**
- HOUSING: HIGH TEMPERATURE NYLON, BLACK, UL94 V-0
 - EXTRACTOR: HIGH TEMPERATURE THERMOPLASTIC
 - CONTACTS: COPPER ALLOY
 - RETENTION BARB: STAINLESS STEEL
- INTERFACE FINISH:**
- (1) 0.00076 MIN THK GOLD OVER 0.00127 MIN THK NICKEL
 - (2) 0.00038 MIN THK GOLD OVER 0.00127 MIN THK NICKEL
 - (3) 0.00008 MIN THK GOLD OVER 0.00127 MIN THK NICKEL
- RIGHT HOLE IS GLOBAL D-E ORIGIN FOR ALL POSITIONAL TOLERANCES. LEFT AND RIGHT NON-PLATED THRU HOLES ESTABLISH -E-.**
- FINISHED HOLE SIZE. 0.15 MAXIMUM ANULAR RING.
 - RETENTION BARB MAY BE SPECIFIED IN PLACE OF PEGS (3 PLC). DIMENSION INDICATED WOULD THEN BE 4.00 MAX.
 - KEEP OUT ZONE.
 - KEEP OUT AREA RESERVED FOR SOCKET EXTRACTORS, BOTH ENDS.
 - SOLDERTAIL FINISH: 0.00300 MIN THK BRIGHT TIN-LEAD OVER 0.00127 MIN. THK NICKEL.
 - SOLDERTAIL FINISH: 0.00300 MIN THK MATTE TIN OVER 0.00127 MIN. THK NICKEL.
 - LED LOCATION AS APPLICABLE PER CUSTOMER.
 - QUALIFY TO TYCO DESIGN OBJECTIVES 108-2111-1.
 - QUALIFY TO TYCO DESIGN OBJECTIVES 108-2111-2.
 - DATUM -F- IS CONNECTOR SIDE SURFACE OF PCB.



DIMENSIONS: mm TOLERANCES UNLESS OTHERWISE SPECIFIED: 9 PLC ±.5 1 PLC ±0.13 5 PLC ±0.013 4 PLC ±. ANGLES ±. FINISH ±.		DWN: D. RINGLER 04JAN2002 CHK: M. CORRELL 04JAN2002 APPV: M. CORRELL 20JUN2003	Tyco Electronics Harrisburg, PA 17105-3608
MATERIAL:		NAME: SOCKET ASSEMBLY, DDR II SOLDER TAIL, 240 POSITION SIZE: A1 CAGE CODE: 00779 DRAWING NO: C=1489841	RESTRICTED TO: CUSTOMER DRAWING
SCALE: 4:1		SHEET: 1 OF 3	REV: B2

LOC	DIST	REV	DATE	BY	APPD
GP	00				

REVISIONS		DATE	BY	APPD
1	SEE SHEET 1			



	BLACK	9	0.00038 MIN	3.18	RETENTION BARB	3-1489841-9	12
	BLACK	9	0.00038 MIN	2.67	RETENTION BARB	3-1489841-8	12
	BLACK	8	0.00038 MIN	2.67	RETENTION BARB	3-1489841-7	12
SUPERCEDED BY 3-1489841-3	NATURAL	9	0.00000 MIN	4.00	RETENTION BARB	3-1489841-6	12
SUPERCEDED BY 3-1489841-2	NATURAL	9	0.00000 MIN	3.18	RETENTION BARB	3-1489841-5	12
SUPERCEDED BY 3-1489841-1	NATURAL	9	0.00008 MIN	2.67	RETENTION BARB	3-1489841-4	12
	NATURAL	9	0.00038 MIN	4.00	RETENTION BARB	3-1489841-3	12
	NATURAL	9	0.00038 MIN	3.18	RETENTION BARB	3-1489841-2	12
	NATURAL	9	0.00038 MIN	2.67	RETENTION BARB	3-1489841-1	12
	NATURAL	9	0.00076 MIN	4.00	RETENTION BARB	3-1489841-0	11
	NATURAL	9	0.00076 MIN	3.18	RETENTION BARB	2-1489841-9	11
	NATURAL	9	0.00076 MIN	2.67	RETENTION BARB	2-1489841-8	11
SUPERCEDED BY 2-1489841-4	NATURAL	9	0.00000 MIN	4.00	PLASTIC POST	2-1489841-7	12
SUPERCEDED BY 2-1489841-3	NATURAL	9	0.00000 MIN	3.18	PLASTIC POST	2-1489841-6	12
SUPERCEDED BY 2-1489841-2	NATURAL	9	0.00000 MIN	2.67	PLASTIC POST	2-1489841-5	12
	NATURAL	9	0.00038 MIN	4.00	PLASTIC POST	2-1489841-4	12
	NATURAL	9	0.00038 MIN	3.18	PLASTIC POST	2-1489841-3	12
	NATURAL	9	0.00038 MIN	2.67	PLASTIC POST	2-1489841-2	12
	NATURAL	9	0.00076 MIN	4.00	PLASTIC POST	2-1489841-1	11
	NATURAL	9	0.00076 MIN	3.18	PLASTIC POST	2-1489841-0	11
	NATURAL	9	0.00076 MIN	2.67	PLASTIC POST	1-1489841-9	11
SUPERCEDED BY 3-1489841-3	NATURAL	8	0.00000 MIN	4.00	RETENTION BARB	1-1489841-8	12
SUPERCEDED BY 3-1489841-2	NATURAL	8	0.00000 MIN	3.18	RETENTION BARB	1-1489841-7	12
SUPERCEDED BY 3-1489841-1	NATURAL	8	0.00000 MIN	2.67	RETENTION BARB	1-1489841-6	12
SUPERCEDED BY 3-1489841-3	NATURAL	8	0.00030 MIN	4.00	RETENTION BARB	1-1489841-5	12
	NATURAL	8	0.00038 MIN	3.18	RETENTION BARB	1-1489841-4	12
	NATURAL	8	0.00038 MIN	2.67	RETENTION BARB	1-1489841-3	12
SUPERCEDED BY 3-1489841-0	NATURAL	8	0.00076 MIN	4.00	RETENTION BARB	1-1489841-2	11
	NATURAL	8	0.00076 MIN	3.18	RETENTION BARB	1-1489841-1	11
SUPERCEDED BY 2-1489841-8	NATURAL	8	0.00076 MIN	2.67	RETENTION BARB	1-1489841-0	11
SUPERCEDED BY 2-1489841-4	NATURAL	8	0.00000 MIN	4.00	PLASTIC POST	1489841-9	12
SUPERCEDED BY 2-1489841-3	NATURAL	8	0.00000 MIN	3.18	PLASTIC POST	1489841-8	12
SUPERCEDED BY 2-1489841-2	NATURAL	8	0.00000 MIN	2.67	PLASTIC POST	1489841-7	12
SUPERCEDED BY 2-1489841-4	NATURAL	8	0.00030 MIN	4.00	PLASTIC POST	1489841-6	12
SUPERCEDED BY 2-1489841-3	NATURAL	8	0.00038 MIN	3.18	PLASTIC POST	1489841-5	12
SUPERCEDED BY 2-1489841-2	NATURAL	8	0.00030 MIN	2.67	PLASTIC POST	1489841-4	12
SUPERCEDED BY 2-1489841-1	NATURAL	8	0.00076 MIN	4.00	PLASTIC POST	1489841-3	11
SUPERCEDED BY 2-1489841-0	NATURAL	8	0.00076 MIN	3.18	PLASTIC POST	1489841-2	11
SUPERCEDED BY 1-1489841-9	NATURAL	8	0.00076 MIN	2.67	PLASTIC POST	1489841-1	11
	EXTRACTOR COLOR	SOLDER TAIL	CONTACT GOLD INTERFACE	TAIL LENGTH	HOUSING STYLE	PART NUMBER	

DIMENSIONS: mm		TOLERANCES UNLESS OTHERWISE SPECIFIED: 9 PLC ±.5 1 PLC ±0.5 3 PLC ±0.13 5 PLC ±0.013 4 PLC ±. ANGLES ±. FINISH ±.		DWN 04JAN2002 CHW 04JAN2002 APVD M. CORRELL 20JUN2003		Tyco Electronics Harrisburg, PA 17105-3608	
MATERIAL:		FINISH:		NAME: M. CORRELL		PRODUCT SPEC:	
APPLICATION SPEC:		WEIGHT:		SIZE: CAGE CODE DRAWING NO.		RESTRICTED TO:	
CUSTOMER DRAWING		SCALE: 4:1		SHEET 2 OF 3		REV: B2	

