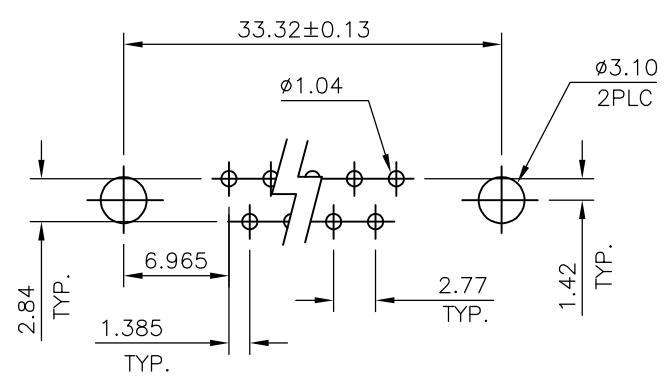
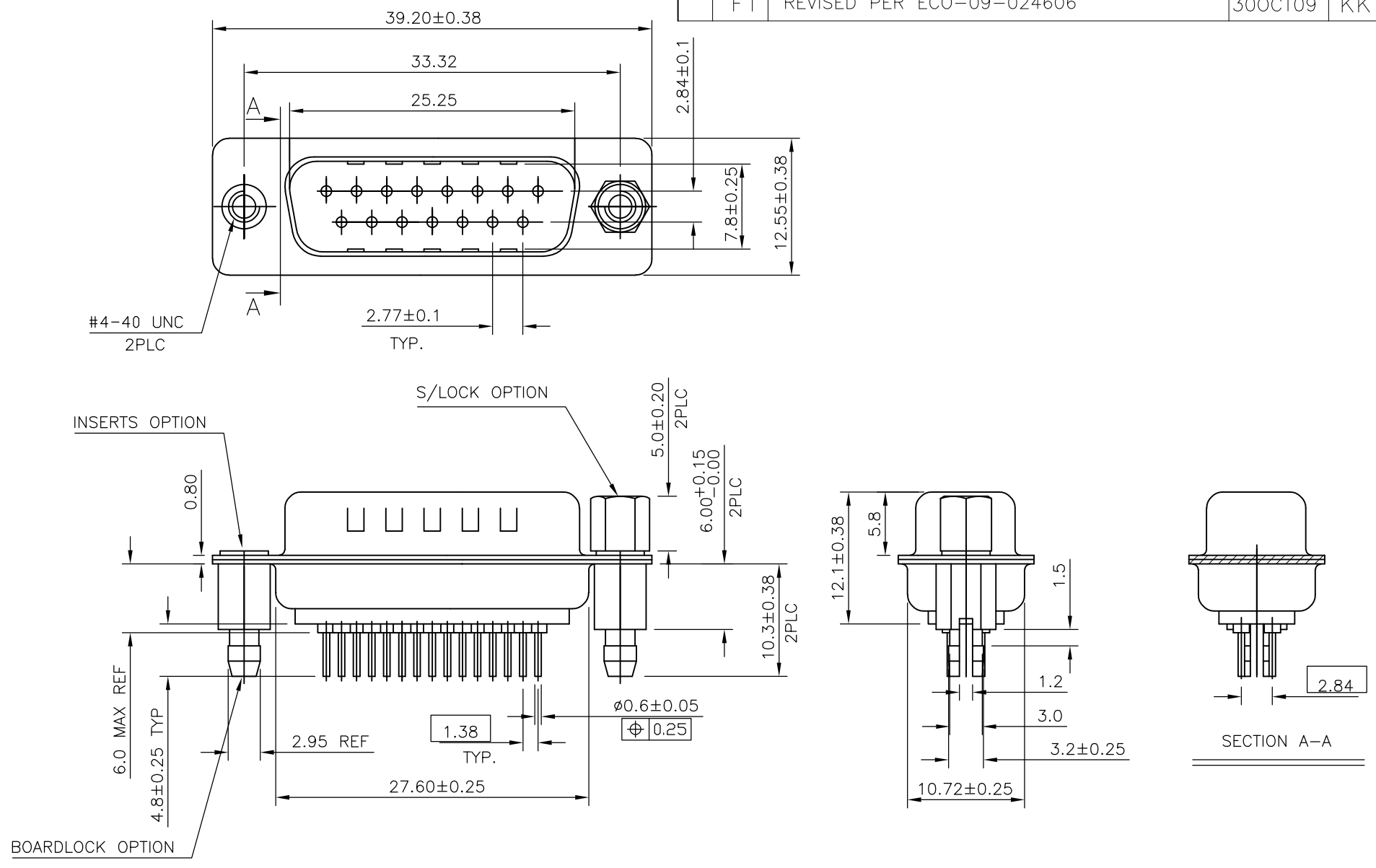


THIS DRAWING IS UNPUBLISHED. RELEASED FOR PUBLICATION APR ,2003.
 © COPYRIGHT 2003 BY TYCO ELECTRONICS CORPORATION. ALL RIGHTS RESERVED.

LOC	DIST	REVISIONS			
P	LTR	DESCRIPTION	DATE	DWN	APVD
E	B	F	ECR-08-030242	02DEC08	AM NC
		F1	REVISED PER ECO-09-024606	30OCT09	KK AEG

- NOTES:
- MATERIAL**
 HOUSING : THERMOPLASTIC, UL94V-0, BLACK
 CONTACTS : BRASS.
 SHELL : STEEL
 SCREW : BRASS.
 BOARD LOCK : BRASS.
 SCREW OF TORQUE : 5 Kg-cm MAX.
 - FINISH**
 CONTACT : 15µ" MIN.GOLD PLATING ON CONTACT AREA
 100µ" MIN. TIN PLATING ON SOLDER TAILS
 50µ" MIN. NICKEL UNDERPLATED OVERALL
 SHELL : 60µ" MIN. TIN PLATING
 SCREW : 50µ" MIN. NICKEL PLATING.
 BOARD LOCK : 50µ" MIN. NICKEL PLATING.
 - CHARACTERISTICS**
 CURRENT RATING : 3A
 INSULATION RESISTANCE : 1000MOHMS MIN, 500VDC FOR 2MINS.
 TEMPERATURE RATING : -55DEGC ~ +105DEGC
 VOLTAGE RATING : 250VDC

⚠ OBSOLETE PARTS: OBSOLETE CIS STREAMLINING PER D.RENAUD/D.SINISI



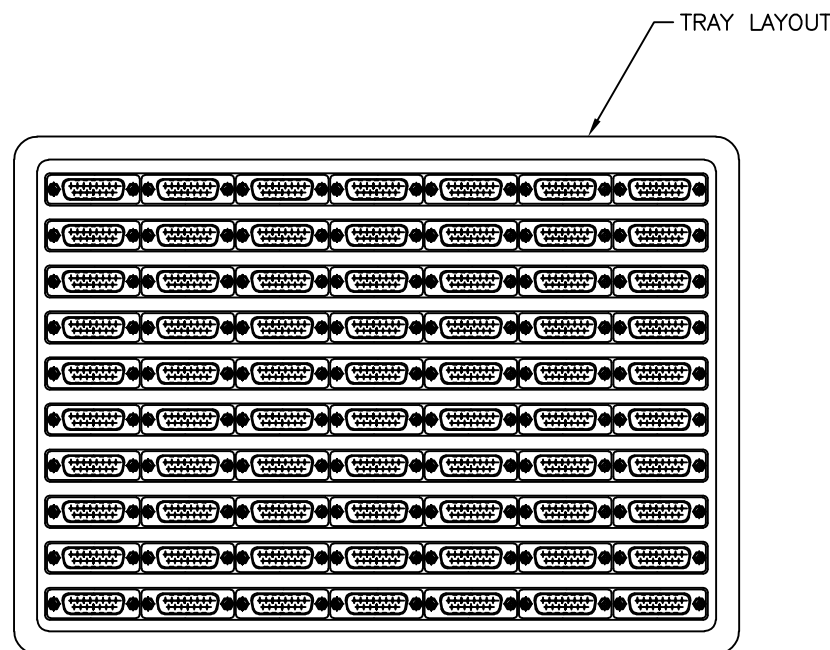
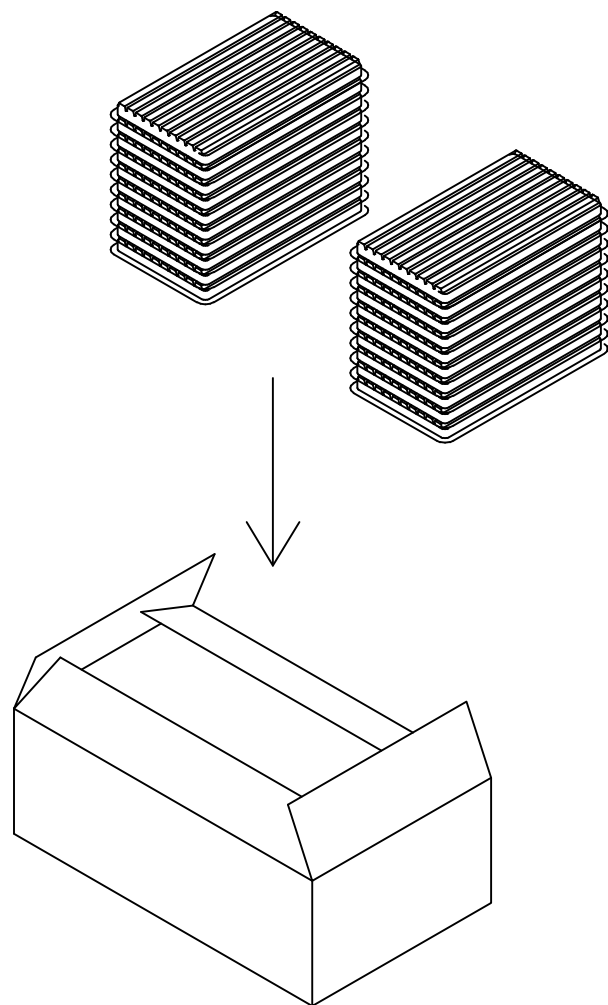
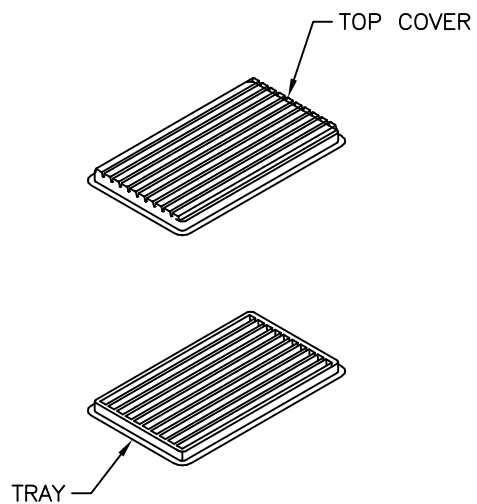
4	OBSOLETE	15W D PLG WITH B/L & M3 S/LOCK 15µ" GOLD	4-1634219-2
		15W D PLG WITH B/L & 4-40 S/LOCK 15µ" GOLD	3-1634219-2
4	OBSOLETE	15W D PLG WITH B/L & M3 INSERTS 15µ" GOLD	2-1634219-2
		15W D PLG WITH B/L & 4-40 INSERTS 15µ" GOLD	1-1634219-2
		DESCRIPTION	TE PART No.

DIMENSIONS: MM		TOLERANCES UNLESS OTHERWISE SPECIFIED:		DWN		Tyco Electronics		Tyco Electronics Corporation	
0 PLC	± -	1 PLC	± 0.25	J.SANDWELL	10APR03	Stanmore, Middlesex, HA7 4RS		NAME	
2 PLC	± 0.15	3 PLC	± -	R.DYER	10APR03	D-SUB HD20, VERTICAL,		RESTRICTED TO	
4 PLC	± -	ANGLES	± -	F.WHEELER-KING	10APR03	15P PLUG CONNECTOR		SIZE	
MATERIAL	-	FINISH	-	PRODUCT SPEC	-	CAGE CODE		DRAWING NO	
				APPLICATION SPEC	-	A3 00779		G-1634219	
				WEIGHT	-	CUSTOMER DRAWING		SCALE	
						2:1		SHEET 1 OF 2	
								REV F1	

THIS DRAWING IS UNPUBLISHED. RELEASED FOR PUBLICATION APR , 2003.

© COPYRIGHT 2003 BY TYCO ELECTRONICS CORPORATION. ALL RIGHTS RESERVED.

LOC	DIST	REVISIONS			
P	LTR	DESCRIPTION	DATE	DWN	APVD
E	B	SEE SHEET 1	-	-	-



NOTES:

- MATERIAL
 1. TRAY: PVC
 2. SHIPPING CARTON: CORRUGATED FIBERBOARD

- DIMENSIONS
 1. TRAY: L=310, W=230, H=21
 2. SHIPPING CARTON: L=465, W=320, H=230

- QUANTITY
 70 PCS/TRAY
 20 TRAY/SHIPPING CARTON

THIS DRAWING IS A CONTROLLED DOCUMENT.		DWN J.SANDWELL 10APR03	Tyco Electronics Corporation Stanmore, Middlesex, HA7 4RS	
DIMENSIONS: MM		CHK R.DYER 10APR03	NAME D-SUB HD20, VERTICAL, 15P PLUG CONNECTOR	
TOLERANCES UNLESS OTHERWISE SPECIFIED:		APVD F.WHEELER-KING 10APR03	PRODUCT SPEC -	
0 PLC ± -		APPLICATION SPEC -		
1 PLC ± 0.25		SIZE A3		
2 PLC ± 0.15		CAGE CODE 00779		
3 PLC ± -		DRAWING NO C-1634219		
4 PLC ± -		RESTRICTED TO -		
ANGLES ± -		SCALE NTS		
MATERIAL -		SHEET 2 OF 2		
FINISH -		REV F1		
		CUSTOMER DRAWING		