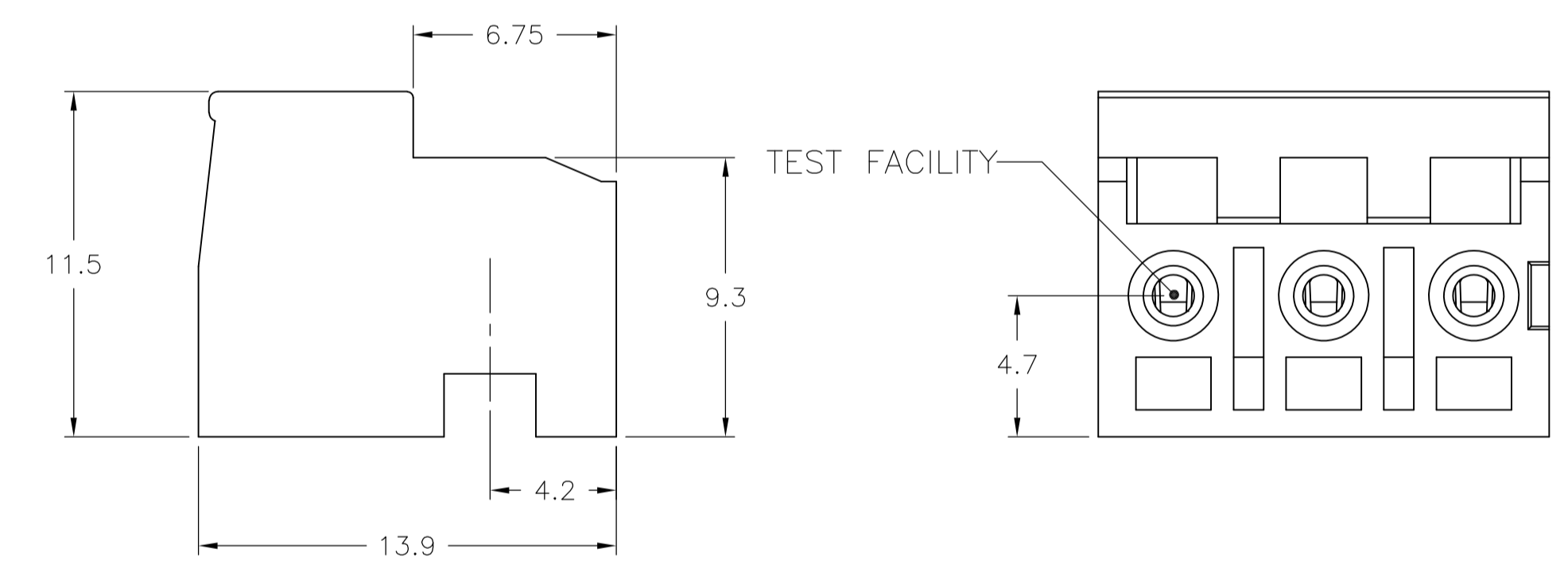
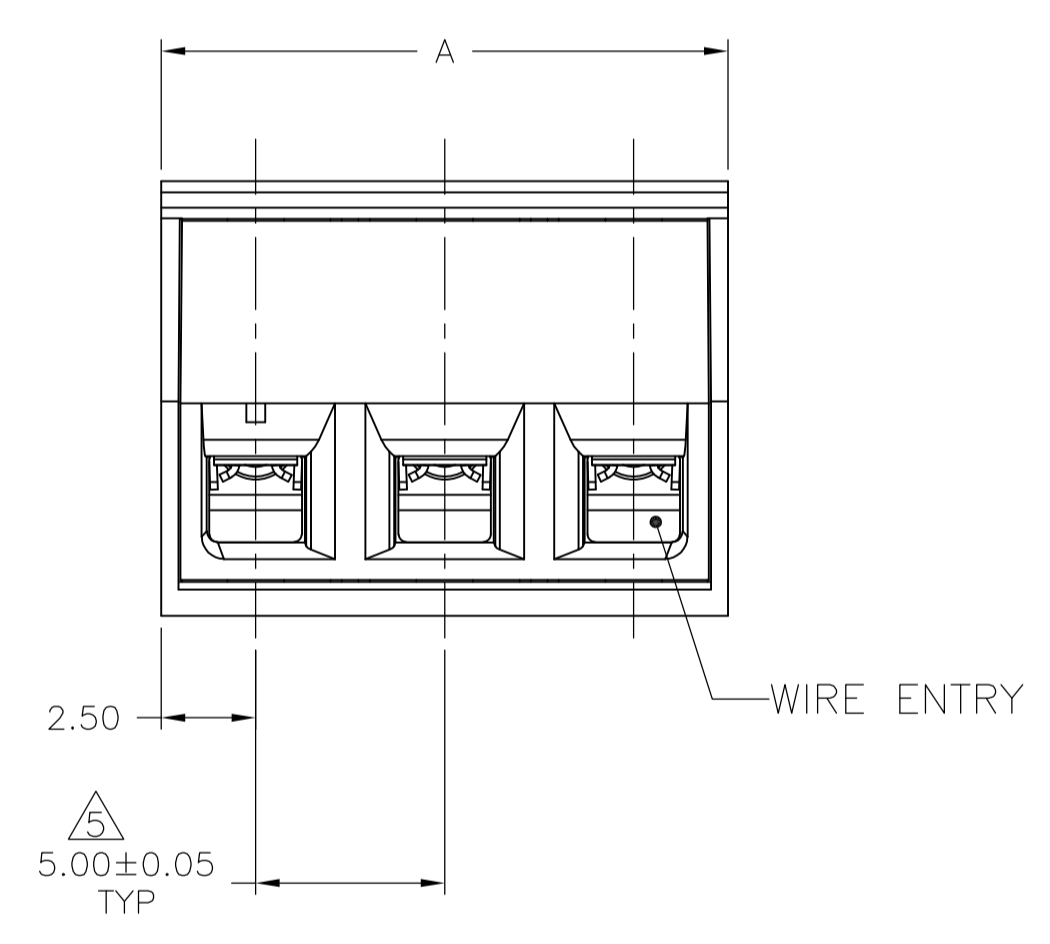
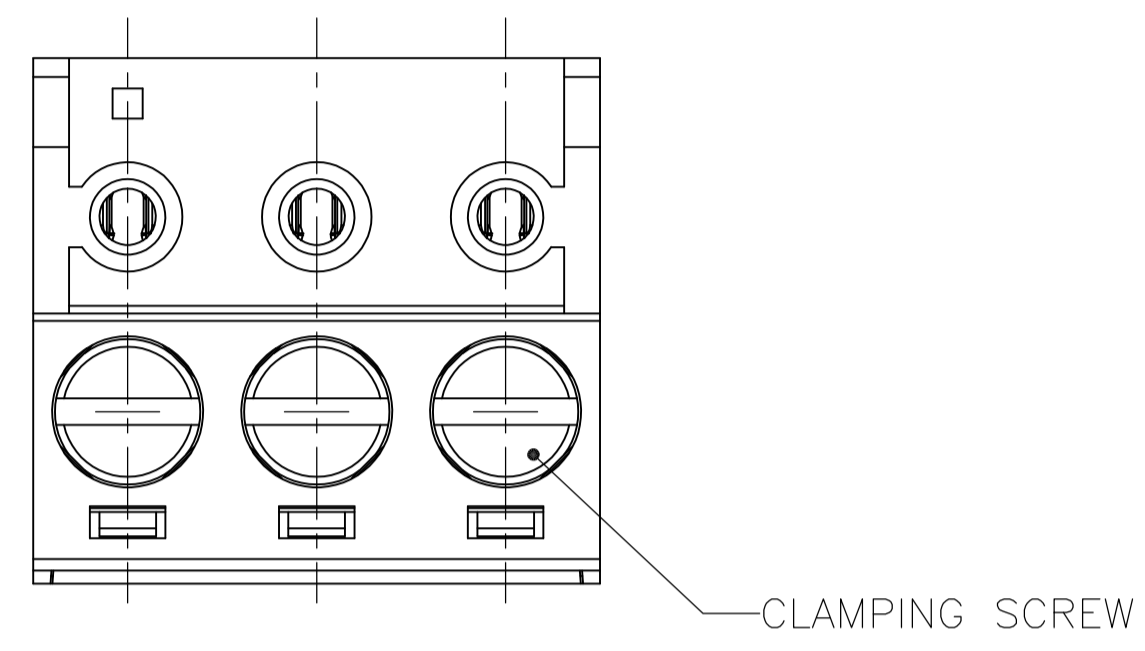


| LOC | | DIST | | REVISIONS | | | |
|-----|-----|---------------------------|---------|-----------|------|--|--|
| P | LTR | DESCRIPTION | DATE | DMN | APVO | | |
| L3 | | REVISED PER ECO-09-017426 | 8/28/09 | SS | CR | | |

1. MATERIALS AND FINISH
 HOUSING: PA 6-6, UL 94-V0, COLOR: GREEN.
 CLAMP: BRASS, NICKEL PLATED.
 CONTACT: PHOSPHOR BRONZE, TIN PLATED.
 CLAMPING SCREW: M3, BRASS, NICKEL PLATED.
2. WIRE SIZE RANGE: 12-30 AWG
3. RECOGNIZED UNDER THE COMPONENT PROGRAM OF UNDERWRITERS LABORATORIES INC. FILE NO. E60677.
4. IMQ CERTIFICATE WITH SURVEILLANCE IN CONFORMITY WITH IEC 998-1/998-2-1.
5. NOT CUMULATIVE TOLERANCE.
6. INK MARKING, BLACK COLOR.
7. INK MARKING, WHITE COLOR.
8. WIRE ENTRY IN THE CLOSED POSITION.
9. SEE FIGURE.
10. END TO END STACKABLE W/O LOSS OF CENTERLINE SPACING.

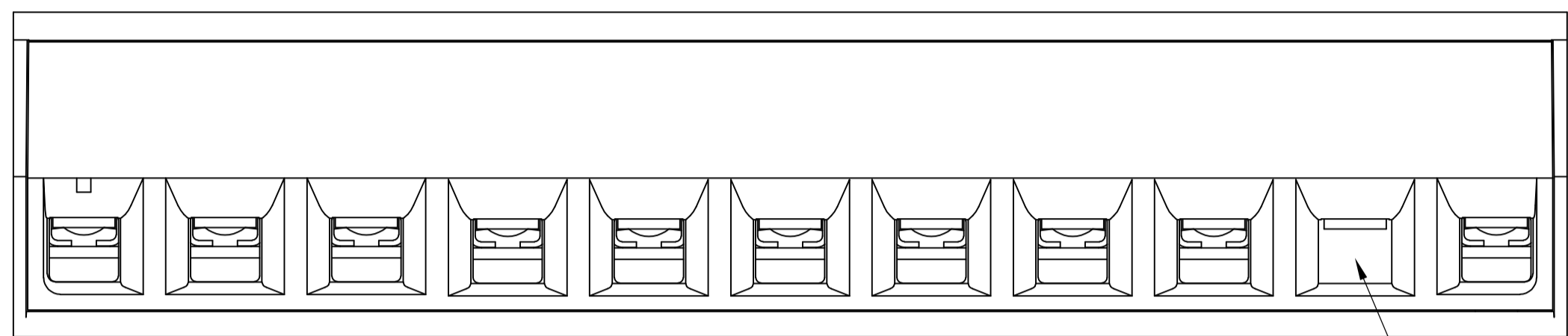


| | | | | |
|-----------------|---------------|-----|------------|-------------|
| 0.254um GOLD | - | 10 | 2 | 3-282830-6 |
| TIN | - | 30 | 6 | 3-282830-5 |
| TIN | - | 15 | 3 | 3-282830-4 |
| TIN | - | 10 | 2 | 3-282830-3 |
| TIN | - | 45 | 9 | 3-282830-2 |
| TIN | - | 30 | 6 | 3-282830-1 |
| TIN | - | 125 | 3 | 3-282830-0 |
| GOLD | - | 15 | 3 | 2-282830-9 |
| TIN | 1, 3 THRU 11 | 55 | 10 | 2-282830-8 |
| TIN | 1 THRU 9, 11 | 55 | 10 | 2-282830-7 |
| TIN | - | 125 | 25 | 2-282830-6 |
| TIN | - | 120 | 24 | 2-282830-5 |
| TIN | - | 115 | 23 | 2-282830-4 |
| TIN | - | 110 | 22 | 2-282830-3 |
| TIN | - | 105 | 21 | 2-282830-2 |
| TIN | - | 100 | 20 | 2-282830-1 |
| TIN | - | 95 | 19 | 2-282830-0 |
| TIN | - | 90 | 18 | 1-282830-9 |
| TIN | - | 85 | 17 | 1-282830-8 |
| TIN | - | 80 | 16 | 1-282830-7 |
| TIN | - | 75 | 15 | 1-282830-6 |
| TIN | - | 70 | 14 | 1-282830-5 |
| TIN | - | 65 | 13 | 1-282830-4 |
| TIN | - | 20 | 4 | 1-282830-3 |
| TIN | - | 60 | 12 | 1-282830-2 |
| TIN | - | 55 | 11 | 1-282830-1 |
| TIN | - | 50 | 10 | 1-282830-0 |
| TIN | - | 45 | 9 | 282830-9 |
| TIN | - | 40 | 8 | 282830-8 |
| TIN | - | 35 | 7 | 282830-7 |
| TIN | - | 30 | 6 | 282830-6 |
| TIN | - | 25 | 5 | 282830-5 |
| TIN | - | 20 | 4 | 282830-4 |
| TIN | - | 15 | 3 | 282830-3 |
| TIN | - | 10 | 2 | 282830-2 |
| CONTACT PLATING | SELECT LOADED | A | NO OF POSN | PART NUMBER |

THIS DRAWING IS A CONTROLLED DOCUMENT.

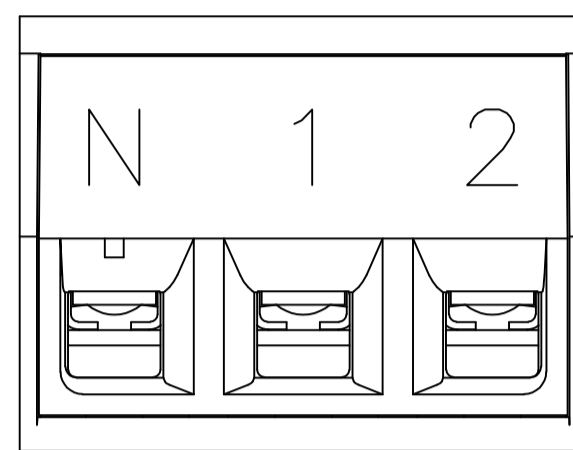
| | | |
|--|--------------|---|
| DMN: S SCHLEGEL | ZBAUG2009 | Tyco Electronics Corporation Harrisburg, PA 17105-3608 |
| CHK: C RICHARD | 8/28/09 | |
| APVO: C RICHARD | 8/28/09 | NAME: RICHARD |
| TOLERANCES UNLESS OTHERWISE SPECIFIED: | | PRODUCT SPEC: TERMINAL BLOCK PLUG 90/180 DEGREE 5.0mm PITCH |
| 0. PLC ± - | 1. PLC ± 0.3 | APPLICATION SPEC: - |
| 2. PLC ± 0.25 | 3. PLC ± - | SIZE: A1 |
| 4. PLC ± - | ANGLES ± 1° | CAGE CODE: 00779 |
| MATERIAL: - | FINISH: - | DRAWING NO: 282830 |
| CUSTOMER DRAWING | | SCALE: 4:1 |
| | | SHEET 1 OF 2 |
| | | REV L3 |

| LOC | | DIST | | REVISIONS | | | |
|-----|-----|-------------|------|-----------|------|--|--|
| P | LTR | DESCRIPTION | DATE | DN | APVO | | |
| - | - | SEE SHEET 1 | - | - | - | | |

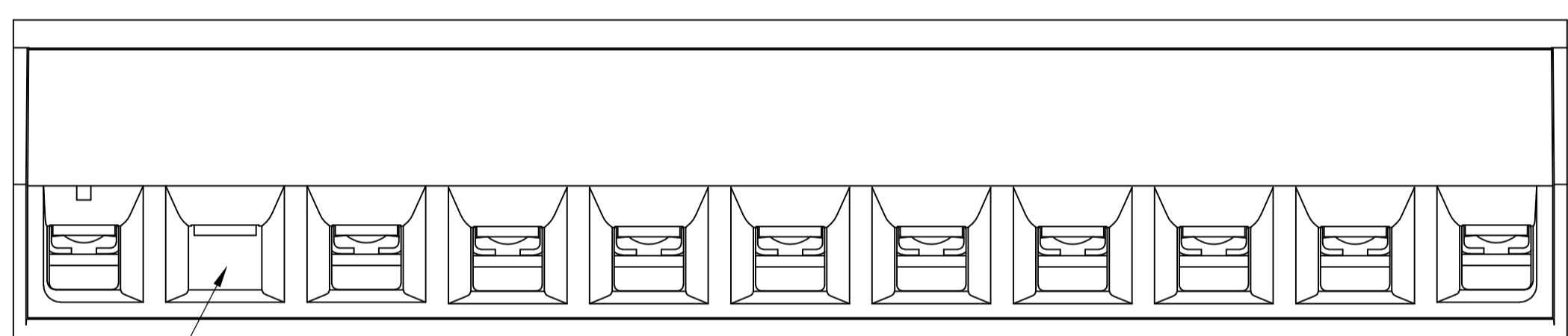


2-282830-7

POSITION 10 IS EMPTY

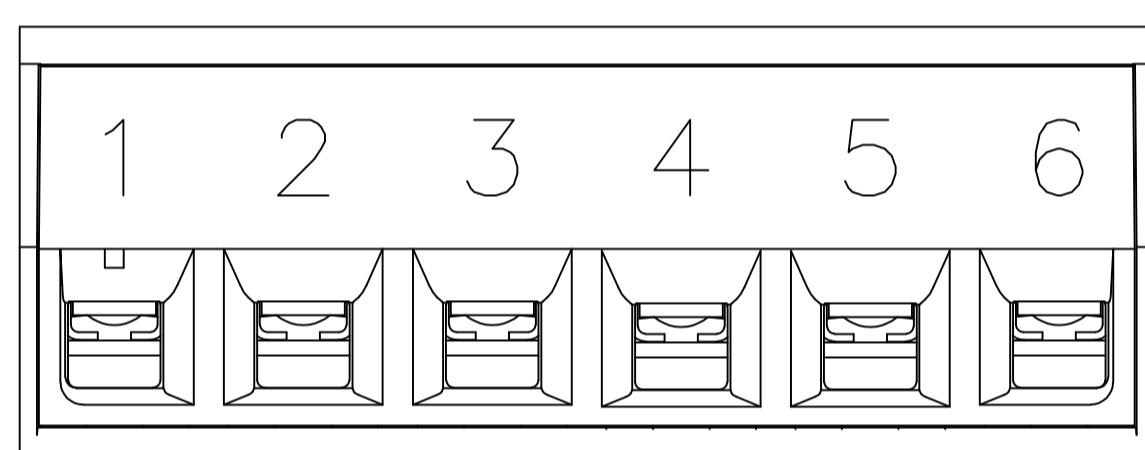


3-282830-0

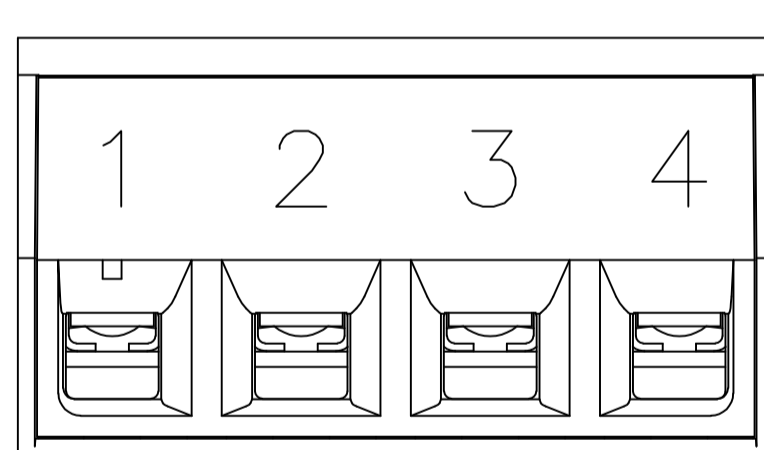


2-282830-8

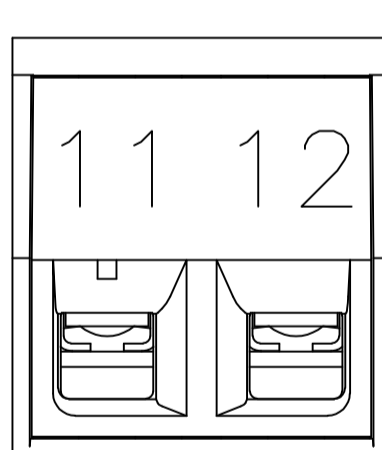
POSITION 2 IS EMPTY



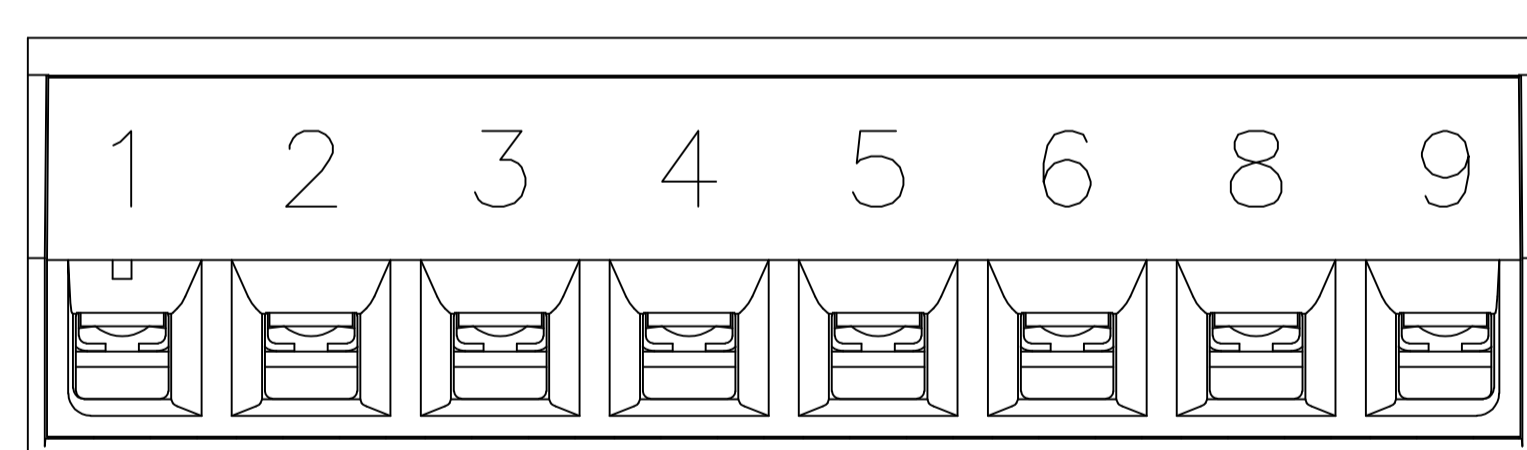
3-282830-1



1-282830-3



3-282830-3



3-282830-2

| | | | | |
|--|--|--|--|---|
| THIS DRAWING IS A CONTROLLED DOCUMENT. | | DWN S SCHLEGEL CHK C RICHARD APVO C RICHARD PRODUCT SPEC APPLICATION SPEC WEIGHT CUSTOMER DRAWING | 28AUG2009 8/28/09 8/28/09 NAME SIZE CAGE CODE DRAWING NO RESTRICTED TO SCALE SHEET OF REV | Tyco Electronics Corporation Harrisburg, PA 17105-3608 Tyco Electronics TERMINAL BLOCK PLUG 90/180 DEGREE 5.0mm PITCH A1 00779 C=282830 4:1 2 2 13 |
|--|--|--|--|---|