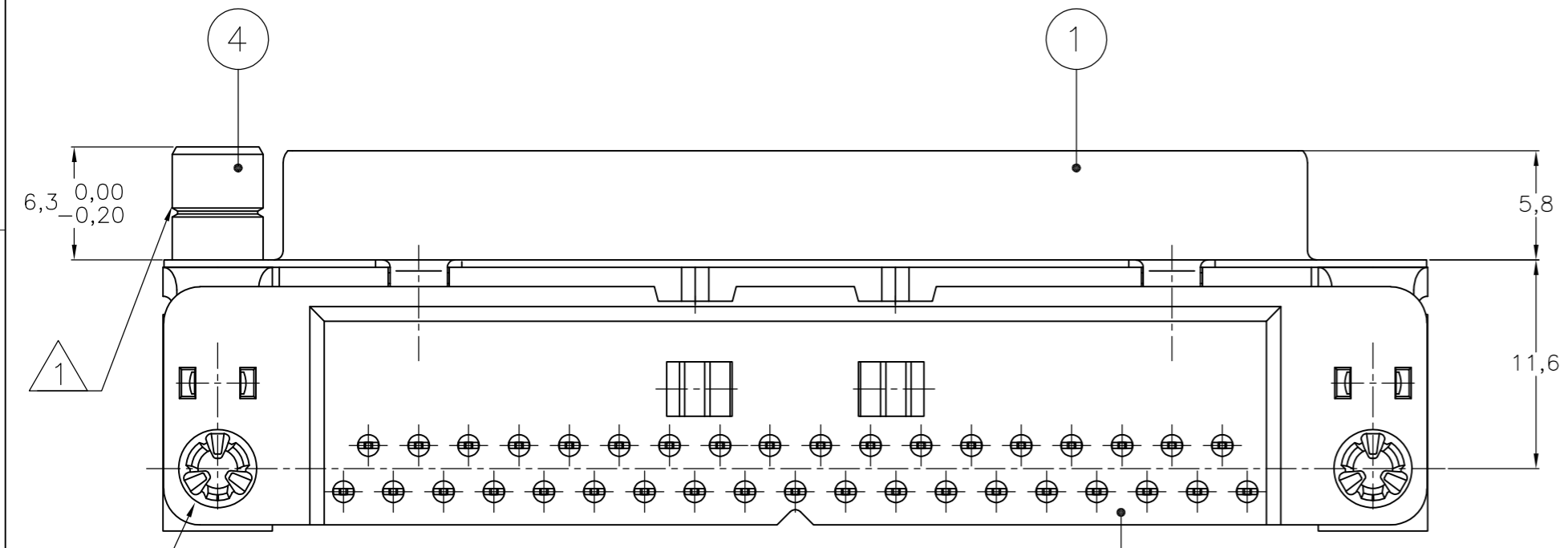
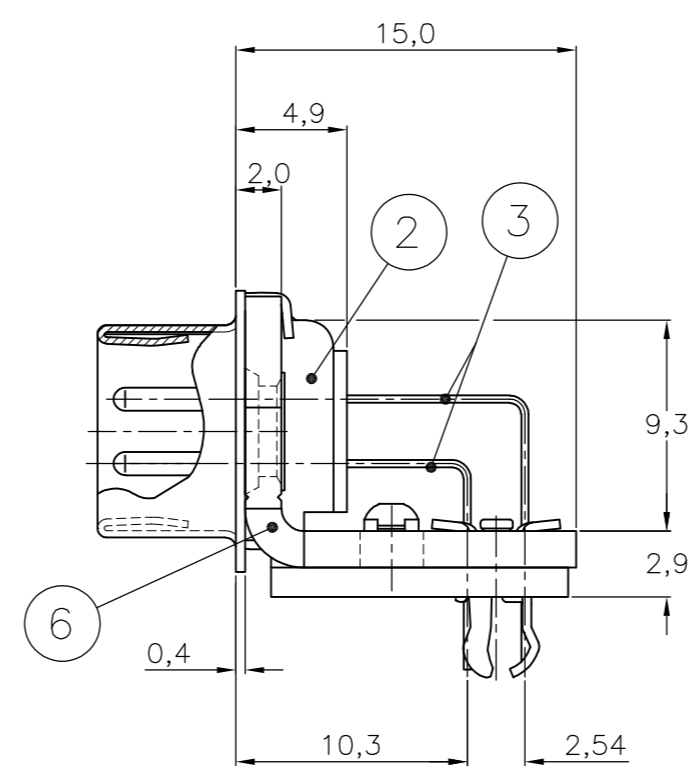
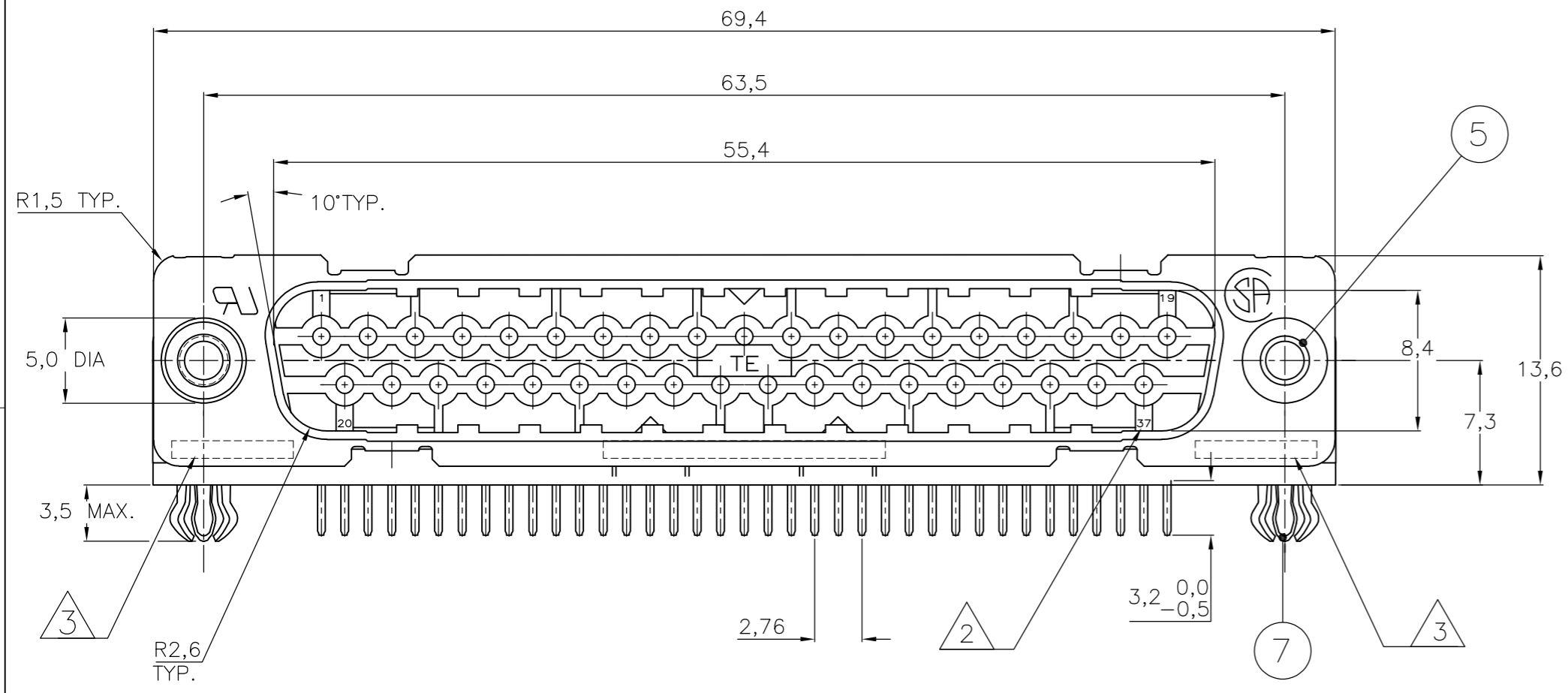
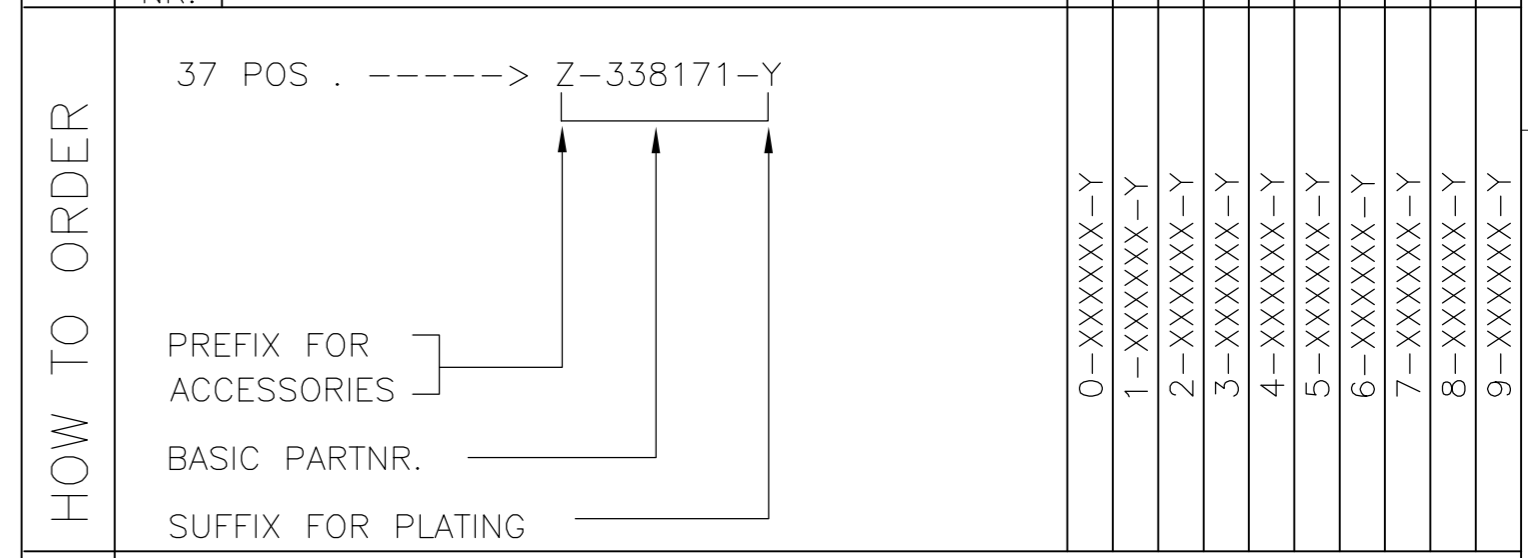


THIS DRAWING IS UNPUBLISHED. RELEASED FOR PUBLICATION
 © COPYRIGHT BY TYCO ELECTRONICS CORPORATION. ALL RIGHTS RESERVED.

LOC	DIST	REVISIONS			
P	LTR	DESCRIPTION	DATE	DWN	APVD
H	-	F	EHC0-0061-04	07-04-04	JvdH
		G	ECR-06-016750	04-11-06	BSV MK
		G1	ECR-10-013804	08-07-10	RK KMA



ACCESSORIES PREFIX "Z"	ITEM NR.	DESCRIPTION OF ACCESSORY	2	2	2	2	2	2	2	2	2	2	2	2	2
5	3,1 DIA. INSERT														
5	INSERT WITH INNER THREAD 4-40 UNC														
5	INSERT WITH INNER THREAD M3														
4	FEMALE SCREWLOCK WITH 4-40 UNC														
4	FEMALE SCREWLOCK WITH M3														
7	BOARDLOCK														



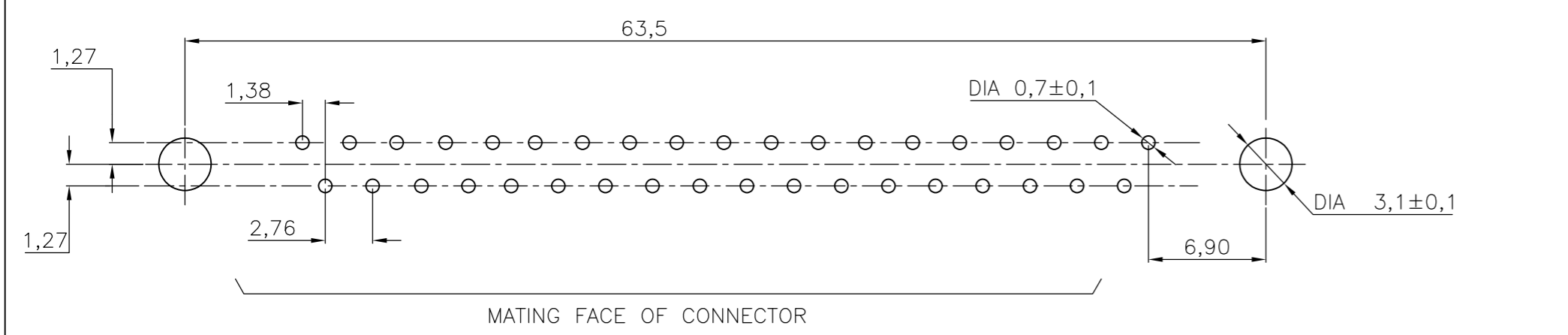
PLATING SUFFIX "Y"	DESCRIPTION
0-XXXXXX-Y	
1-XXXXXX-Y	
2-XXXXXX-Y	
3-XXXXXX-Y	
4-XXXXXX-Y	
5-XXXXXX-Y	
6-XXXXXX-Y	
7-XXXXXX-Y	
8-XXXXXX-Y	
9-XXXXXX-Y	

GOLD OVER NICKEL AS PER PERFORMANCE LEVEL 2 (DIN 41652)
 SOLDERPART :2,5µm TIN OVER NICKEL } -Y = -2

- 1 GROOVE INDICATES VERSION WITH 4-40 UNC INNER THREAD; WITHOUT GROOVE INDICATES VERSION WITH M3 INNER THREAD.
- 2 CAVITY IDENTIFICATION AT FRONT SIDE ONLY.
- 3 PARTNUMBER AND DATE CODE.
- 4 SHELL HAS 2x12 GROUNDING SPRINGS; PITCH IS 3,6 mm
- 5 AIR AND CREEPAGE DISTANCES ACCORDING TO DIN 41652

- ITEM NRS./MATERIAL :
- 1 SHELL : BRIGHT TINPLATED STEEL
 - 2 HOUSING : GLASSFILLED POLYESTER, COLOR : BLACK
 - 3 CONTACTS : PH.BRONZE (PLATING : SEE TABLE ABOVE)
 - 4 FEMALE SCREWLOCK : TINPLATED STEEL (INNER THREAD 4-40 UNC OR M3)
 - 5 INSERT : TINPLATED STEEL (INNER THREAD 4-40 UNC OR M3 OR 3,1 DIA THRU-HOLE)
 - 6 BRACKET : TINPLATED STEEL
 - 7 BOARDLOCK : TINPLATED PHOSPHORBRONZE
 - 8 POSTALIGNMENT PLATE : GLASSFILLED NYLON. COLOR : BLACK

RECOMMENDED P.C. BOARD HOLE-LAYOUT



THIS DRAWING IS A CONTROLLED DOCUMENT.		DWN D. KESSLER 18JAN99	Tyco Electronics Corporation s-Hertogenbosch, Nederland	
DIMENSIONS: MM		CHK W. SOOMERS	NAME	
TOLERANCES UNLESS OTHERWISE SPECIFIED:		APVD	PRODUCT SPEC	
0 PLC ± -			APPLICATION SPEC	
1 PLC ± -			WEIGHT	
2 PLC ± -			CUSTOMER DRAWING	
3 PLC ± -			SCALE NTS	
4 PLC ± -			SHEET 1 OF 1	
ANGLES ± -			REV G1	
FINISH			RESTRICTED TO	
MATERIAL			SIZE CAGE CODE DRAWING NO	
			A2 00779 C=338171	