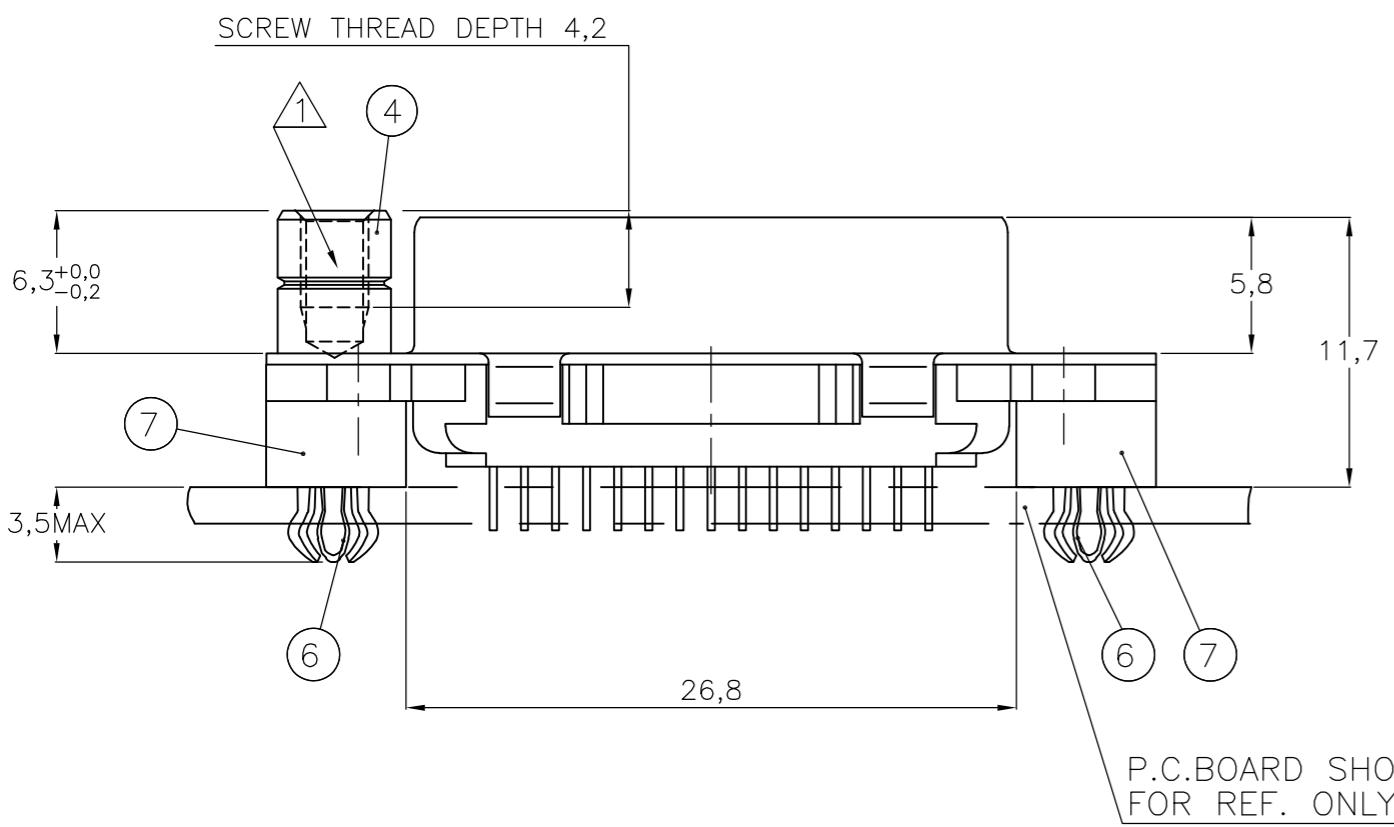
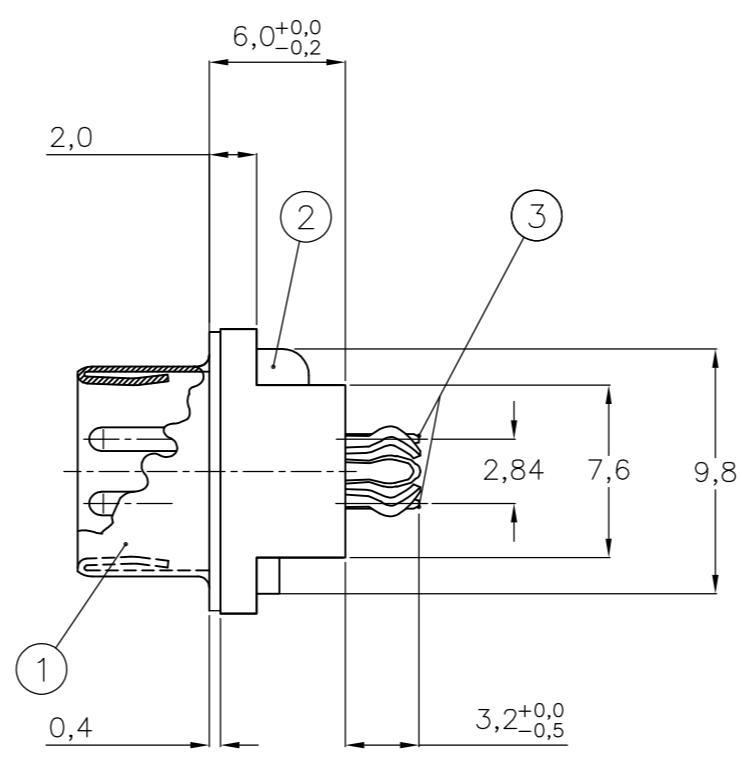
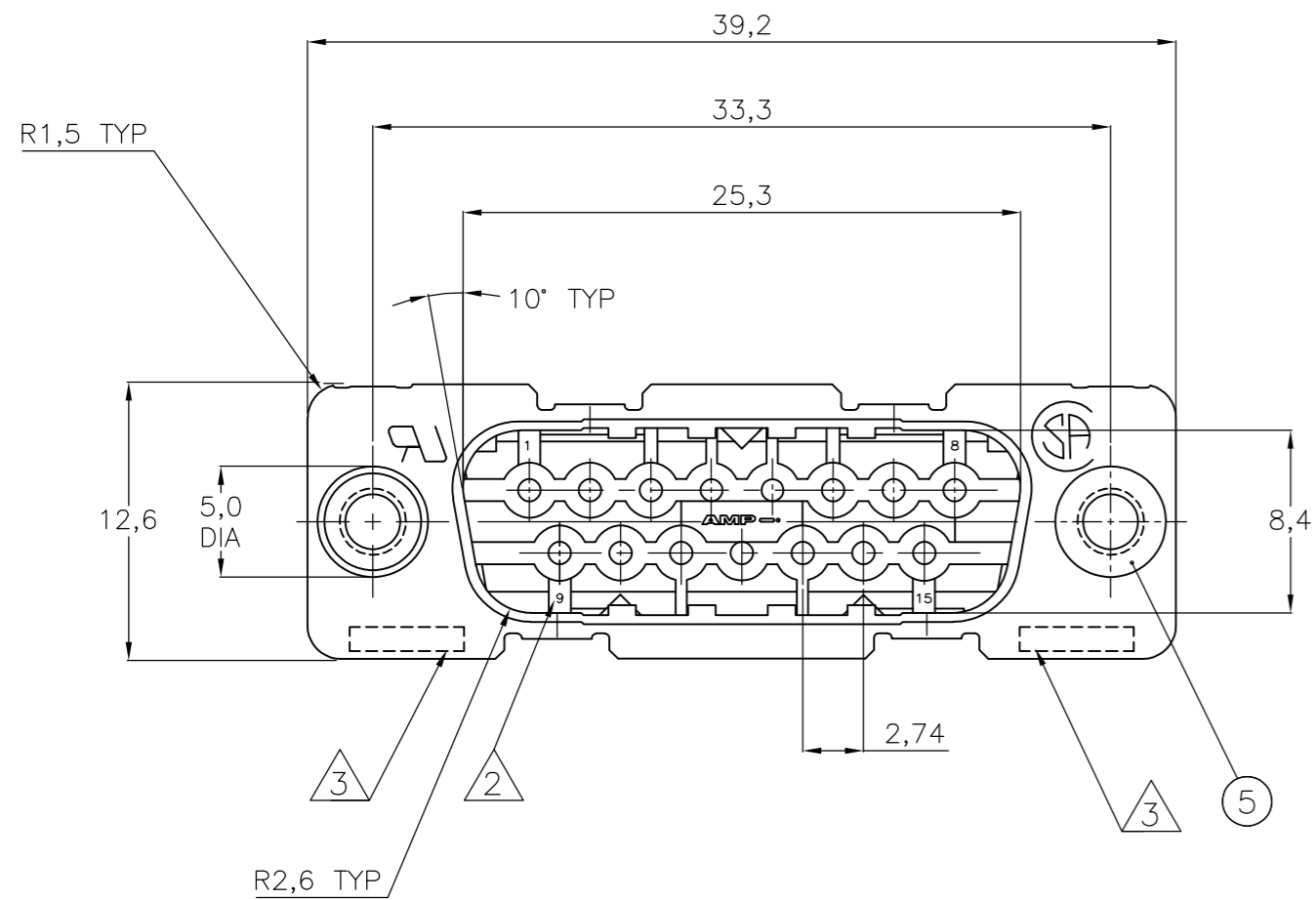
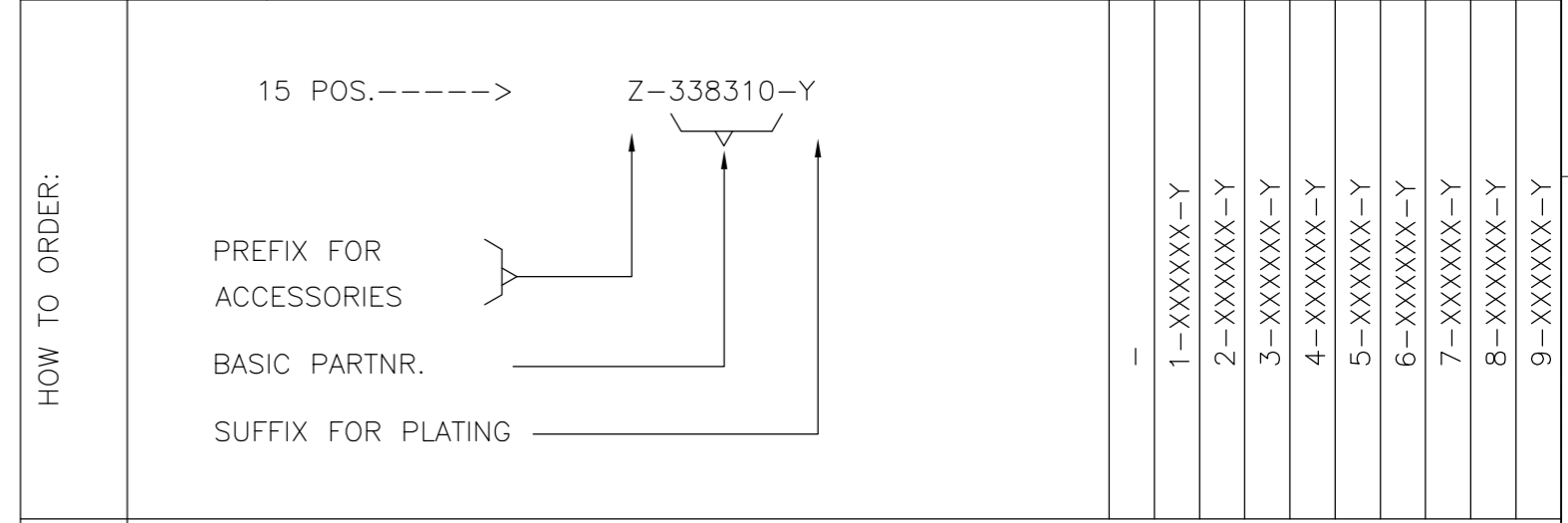


THIS DRAWING IS UNPUBLISHED. RELEASED FOR PUBLICATION  
 © COPYRIGHT BY TYCO ELECTRONICS CORPORATION. ALL INTERNATIONAL RIGHTS RESERVED.

LOC	DIST	REVISIONS					
		P	LTR	DESCRIPTION	DATE	DWN	APVD
H	-		F	ECR-06-016169	10-07-06	BSV	MK
			F1	ECR-08-018358	25-07-08	BSV	MK
			F2	ECR-10-014800	22-07-10	GSK	KMA



ACCESSORIES PREFIX "Z"	ITEM NR.	DESCRIPTION OF ACCESSORY	2	2	2	2	2	2	2	2	2	2	2	2	2	2	2
5		BUSHING WITH THROUGH HOLE 3,1 DIA.															
5		BUSHING WITH THREAD 4-40 UNC															
5		BUSHING WITH THREAD M3															
4		FEMALE SCREWLOCK WITH THREAD 4-40 UNC															
4		FEMALE SCREWLOCK WITH THREAD M3															
6		BOARDLOCK															
ITEM NR.		DESCRIPTION OF ACCESSORY															

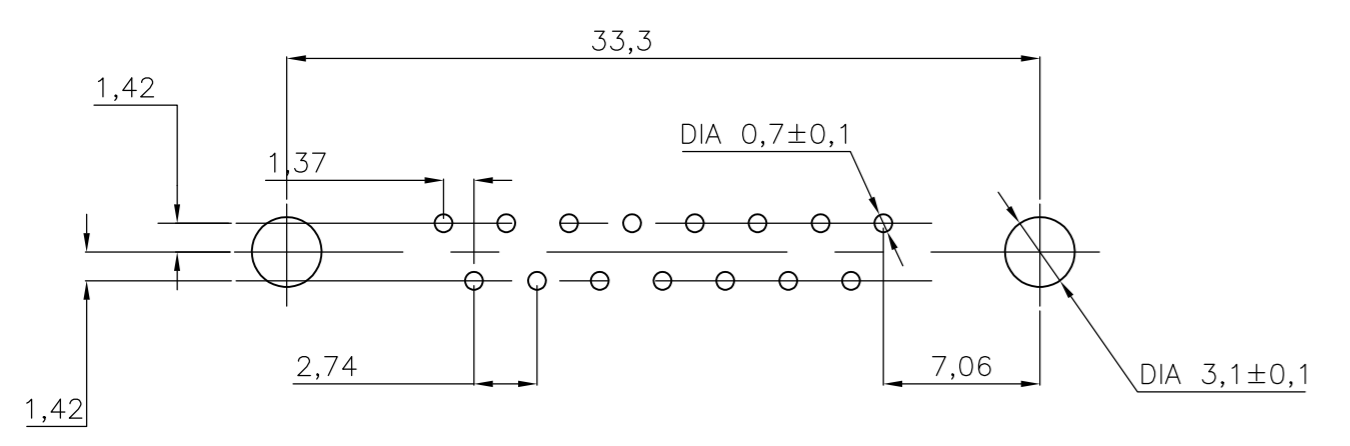


PLATING SUFFIX "Y"  
 GOLD OVER NICKEL AS PER PERFORMANCE LEVEL 2 (DIN 41652)  
 SOLDERPART: TIN-PLATING 3µm  
 -Y = -2

- ① GROOVE INDICATES VERSION WITH 4-40 UNC INNER THREAD; WITHOUT GROOVE INDICATES VERSION WITH M3 INNER THREAD.
- ② CAVITY IDENTIFICATION AT FRONT SIDE ONLY.
- ③ PARTNUMBER AND DATE CODE.
- 4 WHEN BOARDLOCKS ARE USED, CONNECTOR CAN BE USED FOR PCB THICKNESS OF 1,6 mm ONLY.
- 5 SHELL HAS 2x4 GROUNDING SPRINGS; PITCH IS 3,6 mm
- 6 AIR AND CREEPAGE DISTANCES ACCORDING TO DIN41652

- ITEM NRS./MATERIAL :
- ① SHELL : BRIGHT TINPLATED STEEL
  - ② HOUSING : GLASSFILLED POLYESTER, COLOR : BLACK
  - ③ CONTACTS : PHOSPHORBRONZE (PLATING : SEE TABLE ABOVE)
  - ④ FEMALE SCREWLOCK : TINPLATED STEEL (INNER THREAD 4-40 UNC OR M3)
  - ⑤ BUSHING : TINPLATED STEEL (INNER THREAD 4-40 UNC OR M3 OR 3,1 DIA. THROUGH HOLE)
  - ⑥ BOARDLOCK : TINPLATED PHOSPHORBRONZE
  - ⑦ STAND-OFF : ULTRAMID V0 COLOR : BLACK

RECOMMENDED P.C. BOARD HOLE-LAYOUT



THIS DRAWING IS A CONTROLLED DOCUMENT.		DWN	03JUL97	Tyco Electronics Corporation s-Hertogenbosch, Nederland	
DIMENSIONS: mm		CHK	09SEPT97	NAME	
TOLERANCES UNLESS OTHERWISE SPECIFIED:		APVD	09SEPT97	HDP-20 SIZE 2 VERTICAL+ PLUG HEADER; WITH SOLDER CONTACTS	
0 PLC ± -		PRODUCT SPEC		SIZE	
1 PLC ± -		APPLICATION SPEC		CAGE CODE	
2 PLC ± -		WEIGHT		DRAWING NO	
3 PLC ± -		FINISH		RESTRICTED TO	
4 PLC ± -				A2 00779 C=338310	
ANGLES ± -				SCALE 1:1 SHEET 1 OF 1 REV F2	
MATERIAL				CUSTOMER DRAWING	