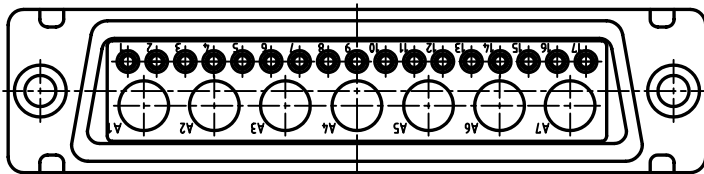
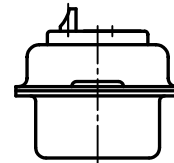
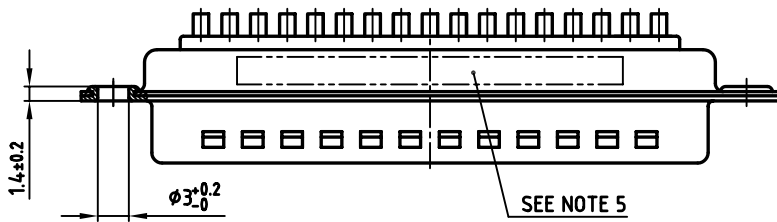
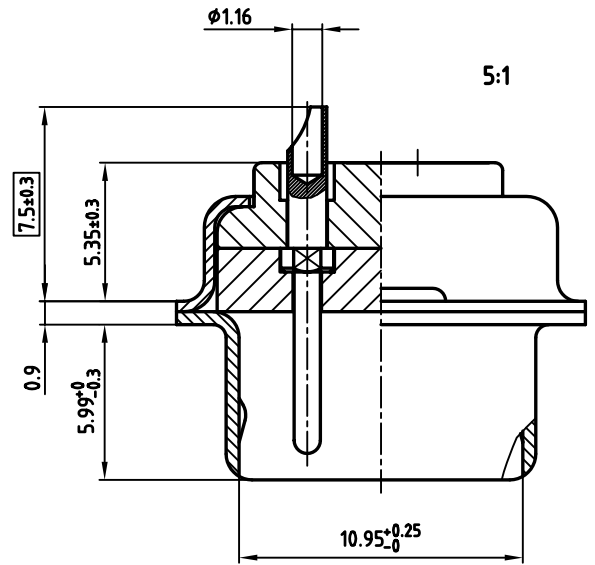
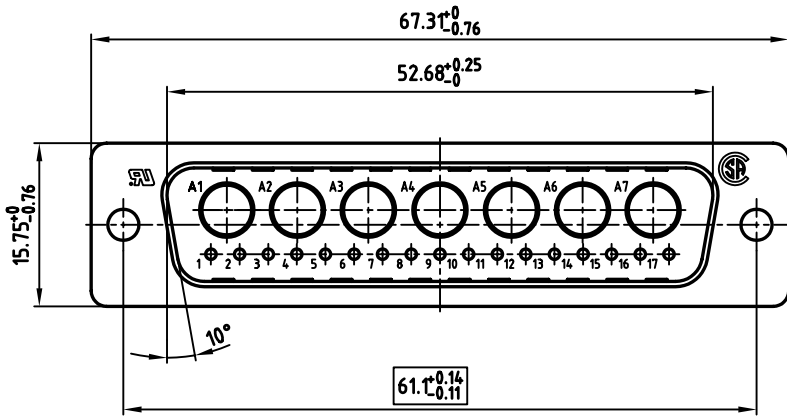


used for: D-SUB COMBINATION



**NOTES:**

1. METALSHELLS: STEEL; min. 320 $\mu$ " TIN
2. INSULATORS: PBT GF UL 94 V-0, GREEN
3. SIGNAL CONTACTS: COPPER ALLOY
4. PLATING: min. 30 $\mu$ " HARD GOLD OVER min. 50 $\mu$ " NICKEL
5. CONNECTOR IS PART MARKED: PART NO: CONEC Y/W/W
6.   = CRITICAL DIMENSION: SPC

Directive 2002/95/EC  
 „RoHS“  
 Compliant

THIS DRAWING MAY NOT BE COPIED OR  
 REPRODUCED IN ANY WAY, AND MAY NOT  
 BE PASSED ON TO A THIRD PARTY, WITHOUT  
 WRITTEN PERMISSION.  
 OWNERSHIP AND COPYRIGHT OF CONEC GmbH  
**DO NOT ALTER CAD DRAWING BY HAND**

rev.	description	date	name

tolerance		
2001	date	
drawn	28.05.	name
appd.	28.05.	Mickenbecker
norm		
d-old		

scale:	2:1 (5:1)	
material:	SEE NOTES	
title:	<b>D-SUB COMBINATION MALE</b> 24W7P SOLDER CUP	
dwg no:	AutoCAD 2000	DIN-A
	13K1A262A	3
		sh: 1/1
part no:	3024W7PCM99A10X	