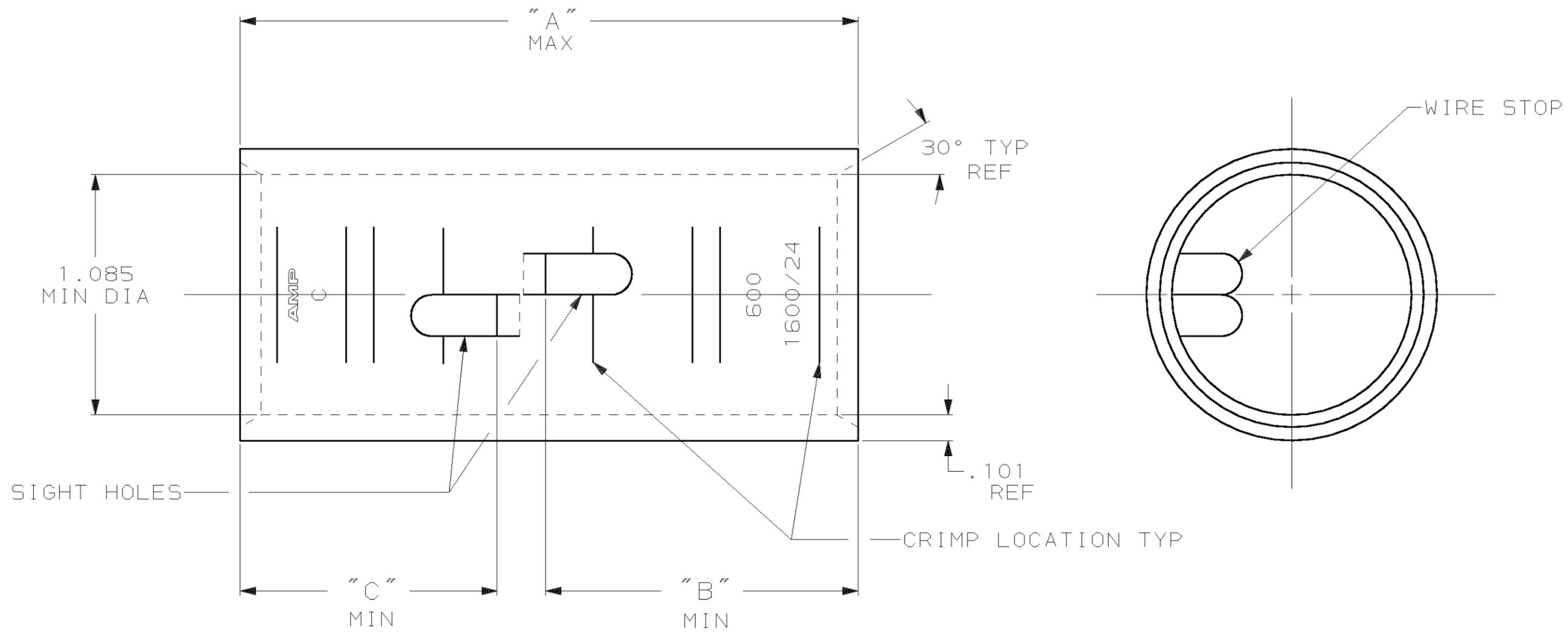


THIS DRAWING IS UNPUBLISHED. RELEASED FOR PUBLICATION, 19 .
 © COPYRIGHT 19 BY AMP INCORPORATED. ALL INTERNATIONAL RIGHTS RESERVED.

LOC	DIST	P	F	REVISIONS				
G	86			ZONE	LTR	DESCRIPTION	DATE	APPD
					R	REV PER 0G3A-0637-01	030CT02	JR/MS



- ① TIN PL .000150 MIN THK MIL-T-10727
- ② PART NO: 324467; .317 LB.
 PART NO: 1-324467-0; .317 LB.
 PART NO: 2-324467-3; .348 LB.

1.16	1.41	2.86	△	550-650 MCM	COPPER ASTM-B-75 ANNEALED	2-324467-3
1.16	1.16	2.61	CLEANED			1-324467-0
"C"	"B"	"A"	△	WIRE RANGE	MATERIAL	324467
DO NOT SCALE PRINT. UNLESS SPECIFIED DIMENSIONS IN INCHES TOLERANCES ON:			DR	AMP INCORPORATED		
2 PLC DEC ± -			CHK	Harrisburg, Pa. 17105		
3 PLC DEC ± -			APPD	NAME SPLICE, BUTT, AMPPOWER WIRE SIZE: 600 MCM		
ANGLES ± -			APPD			
MATERIAL			PRODUCT SPEC	SIZE B 00779		
SEE TABLE			APPLICATION SPEC			
FINISH			WEIGHT	SCALE 2:1		
SEE TABLE			△	SHEET 1 OF 1		