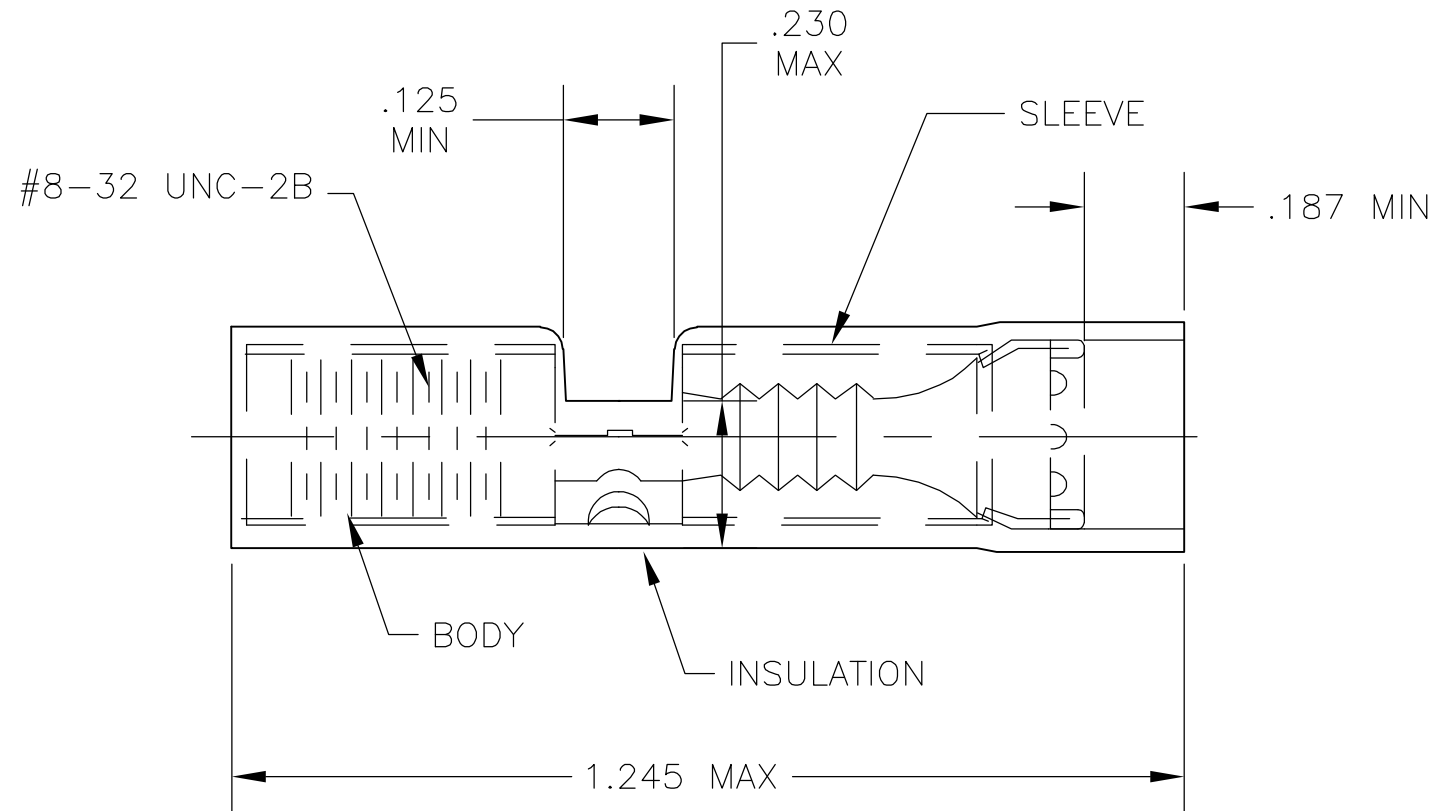


THIS DRAWING IS UNPUBLISHED. RELEASED FOR PUBLICATION  
 © COPYRIGHT BY TYCO ELECTRONICS CORPORATION. ALL RIGHTS RESERVED.

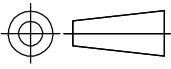
LOC	DIST	REVISIONS					
		P	LTR	DESCRIPTION	DATE	DWN	APVD
G	14		H1	REDRAWN PER ECR 06-002165	03FEB06	JR	TM



<b>AMP</b> WIRE RANGE
12-10 AWG STRANDED

- 1 WIRE INSULATION DIA 3.81 [.150] TO 5.59 [.220].
- 2 MAX RECOMMENDED OPERATING TEMP IS 105°C
- 3 VOLTAGE RATING: 600V MAX, 1000V MAX ( FIXTURE OR SIGN )
- 4 CIRCULAR MIL AREA: 2.62-6.64mm<sup>2</sup> or 5,180-13,100 STRANDED

BODY & SLEEVE: COPPER PER ASTM B-152 TIN PLATE PER ASTM B-545	328961
INSULATION: NYLON ASTM - D4066 TYPE 1, COLOR - YELLOW	
MATERIAL & FINISH	PART NUMBER

THIS DRAWING IS A CONTROLLED DOCUMENT.		DWN JR RUTH 03FEB06	<b>tyco</b> Electronics Tyco Electronics Corporation Harrisburg, PA 17105-3608	
DIMENSIONS: INCHES		CHK T MICHIELUTTI 03FEB06		
		APVD T MICHIELUTTI 03FEB06	NAME SPLICE, BUTT, PIDG, WIRE SIZE: 12-10 AWG	
		PRODUCT SPEC -		
MATERIAL SEE TABLE		FINISH SEE TABLE	APPLICATION SPEC -	RESTRICTED TO -
		WEIGHT -	SIZE A3	CAGE CODE 00779
		DRAWING NO G-328961		REV H1
CUSTOMER DRAWING			SCALE 4:1	SHEET 1 of 1