

3M™ D Sub Junction Shell

Plastic



- Uses standard hardware
- Light weight, compact size
- Full family of sizes
- RoHS* compliant

Date Modified: January 15, 2007

TS-0037-12
Sheet 1 of 2

Physical

Shell

Material: Glass Filled Polyester (PBT)

Flammability: UL 94V-0

Color: Gray

Insert: Brass

Tape: 3M +130C Rubber Tape (3485-2X00F Only)

Screw: (2) 2-56 × .50 Roundhead Steel Zinc

Mounting Hardware: See Specification Sheet TS-0142

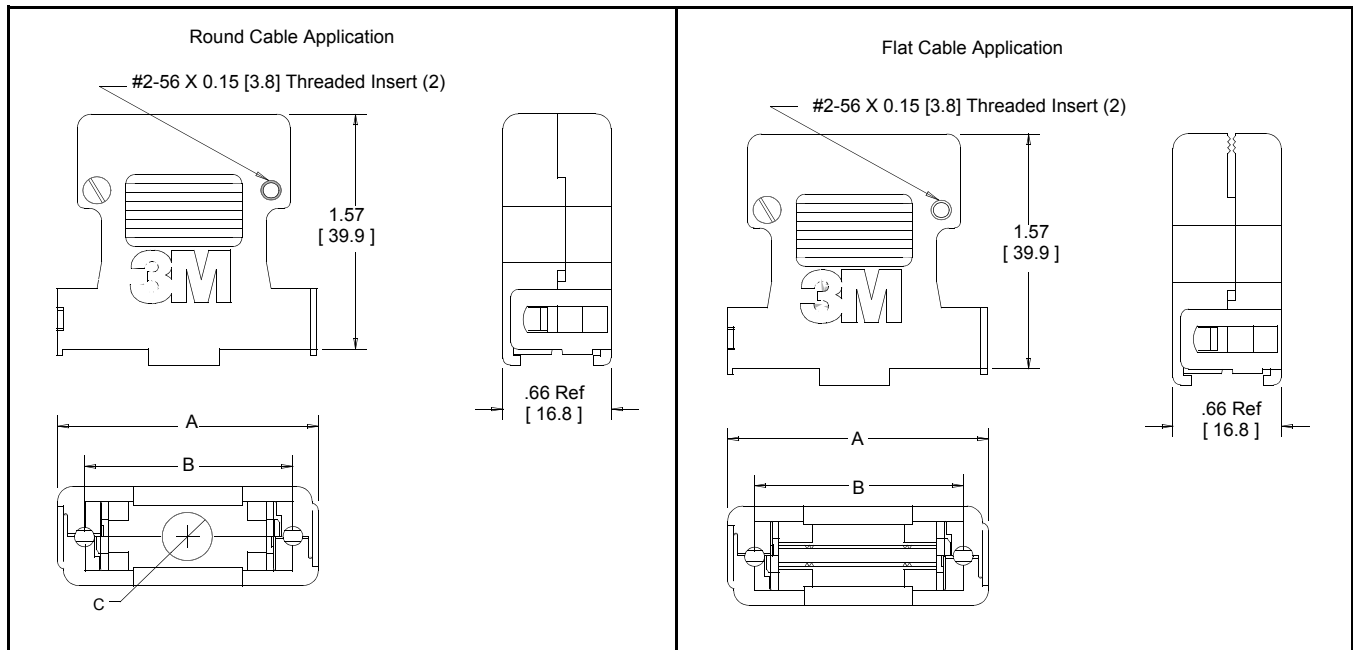
Environmental

Temperature Rating: -55°C to +105°C

"RoHS compliant" means that the product or part does not contain any of the following substances in excess of the following maximum concentration values in any homogeneous material, unless the substance is in an application that is exempt under RoHS: (a) 0.1% (by weight) for lead, mercury, hexavalent chromium, polybrominated biphenyls or polybrominated diphenyl ethers; or (b) 0.01% (by weight) for cadmium. Unless otherwise stated by 3M in writing, this information represents 3M's knowledge and belief based upon information provided by third party suppliers to 3M.

3M™ D Sub Junction Shell

Plastic



Used On 3M Connector	Dimensions		
	A Ref	B Ref	C Ref
8209, 8309	1.30 [33.0]	0.98 [24.9]	0.27 [6.86]
8215, 8315	1.63 [41.4]	1.31 [33.3]	0.28 [7.11]
8225, 8325	2.17 [55.1]	1.85 [47.0]	0.34 [8.64]
8237, 8337	2.82 [71.6]	2.50 [63.5]	0.38 [9.65]

Note:
Use only with thru hole style flange on connector.
Inserts will interfere with shell housing.

Inch [mm]			
Tolerance Unless Noted			
	.0	.00	.000
inch	±.1	±.01	±.005

[] Dimensions for Reference Only

Ordering Information

3485-2X00X

Contact Quantity:
1 = 9 Position
2 = 15 Position
3 = 25 Position
4 = 37 Position

Cable Type:
F = Flat Cable
R = Round Cable

TS-0037-12
Sheet 2 of 2

Important Notice

All statements, technical information, and recommendations related to 3M's products are based on information believed to be reliable, but the accuracy or completeness is not guaranteed. Before using this product, you must evaluate it and determine if it is suitable for your intended application. You assume all risks and liability associated with such use. Any statements related to the product which are not contained in 3M's current publications, or any contrary statements contained on your purchase order shall have no force or effect unless expressly agreed upon, in writing, by an authorized officer of 3M.



3M Electronics

6801 River Place Blvd.
Austin, TX 78726-9000
800/225-5373
www.3M.com/electronics

Warranty; Limited Remedy; Limited Liability.

This product will be free from defects in material and manufacture for a period of one (1) year from the time of purchase. **3M MAKES NO OTHER WARRANTIES INCLUDING, BUT NOT LIMITED TO, ANY IMPLIED WARRANTY OF MERCHANTABILITY OR FITNESS FOR A PARTICULAR PURPOSE.** If this product is defective within the warranty period stated above, your exclusive remedy shall be, at 3M's option, to replace or repair the 3M product or refund the purchase price of the 3M product. **Except where prohibited by law, 3M will not be liable for any indirect, special, incidental or consequential loss or damage arising from this 3M product, regardless of the legal theory asserted.**



*Minimum 10%
Post-Consumer Fiber*

Printed in USA.

© 3M 2007