

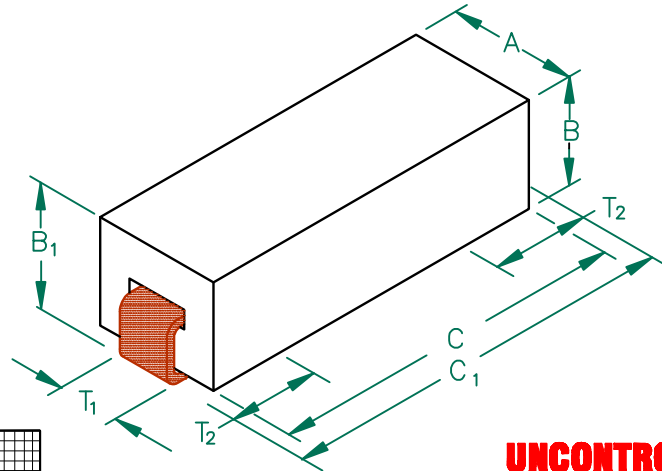
PHYSICAL DIMENSIONS:

- A 3.05 [.120] + 0.08 [.003]
- B 2.54 [.100] + 0.08 [.003]
- B<sub>1</sub> 3.05 [.120] + MAX
- C 8.51 [.335] + 0.23 [.009]
- C<sub>1</sub> 9.53 [.375] + MAX

WIRE DIMENSIONS:

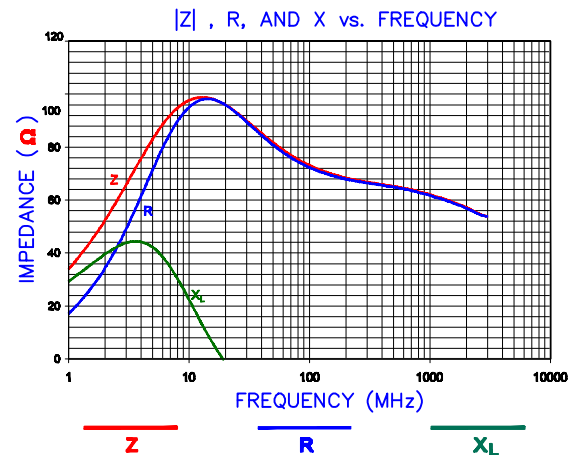
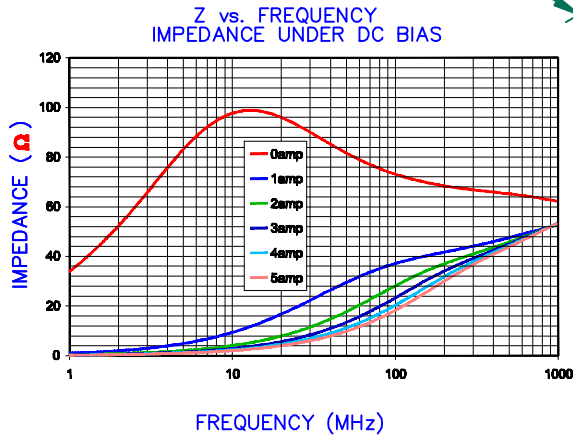
- T<sub>1</sub> 1.27 [.050] + REF.
- T<sub>2</sub> 1.52 [.060] + 0.51 [.020]

# 35F0121-1SR-10



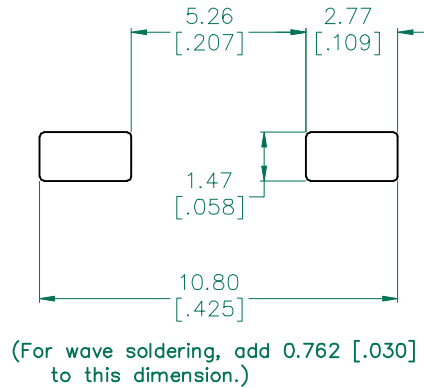
ELECTRICAL CHARACTERISTICS:				
	Z (Ω) @		DCR (Ω)	Rated Current
	1 MHz	10 MHz		
Nominal	-	90		
Minimum	30	72		
Maximum	-	-	.001	10,000 mA

- NOTES: UNLESS OTHERWISE SPECIFIED
1. TAPED AND REELED per CURRENT EIA SPECS 13" REELS, 2500 PCS/REEL.
  2. COMPONENTS SHOULD BE ADEQUATELY PREHEATED BEFORE SOLDERING.
  3. REF. CARRIER TAPE SPECIFICATION # CART121-13.
  4. TERMINATION FINISH IS 100% TIN.

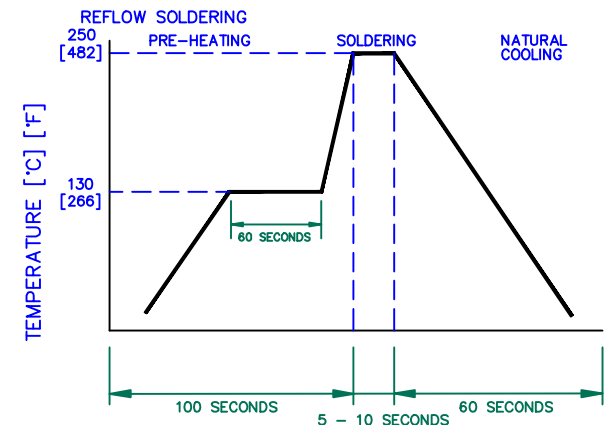


**UNCONTROLLED DOCUMENT**

LAND PATTERNS FOR REFLOW SOLDERING



RECOMMENDED SOLDERING CONDITIONS



DIMENSIONS ARE IN mm (INCHES).				THIS DOCUMENT CONTAINS INFORMATION WHICH IS PROPRIETARY AND CONFIDENTIAL TO STEWARD. NO PRODUCTION OR PUBLICATION OF THIS DOCUMENT IN WHOLE OR IN PART SHALL BE MADE WITHOUT WRITTEN AUTHORIZATION FROM STEWARD.			
D	CORRECT FREQUENCY ON SHT 2of3 CORRECT C TOLS ON SHEET 3	10/16/07	JRK	PROJECT/PART NUMBER:	REV	PART TYPE:	DRAWN BY:
C	UPDATE LANDPATTERN	08/09/07	JRK	35F0121-1SR-10	D	ASSEMBLY	JRK
B	ADD ROHS SYMBOL UPDATE LOGO	5/04/07	JRK	DATE: 5/26/04	SCALE: NTS	SHEET:	
A	ORIGINAL DRAFT	5/26/04	JRK	CAD #	TOOL #H0121		2 of 3
REV	DESCRIPTION	DATE	INT	35F0121-1SR-10-D-2			