

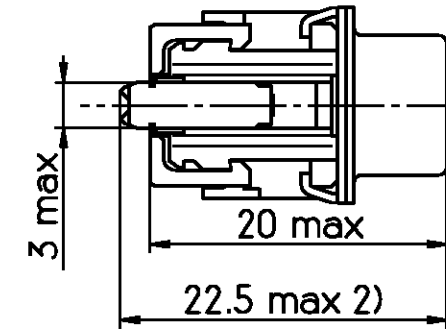
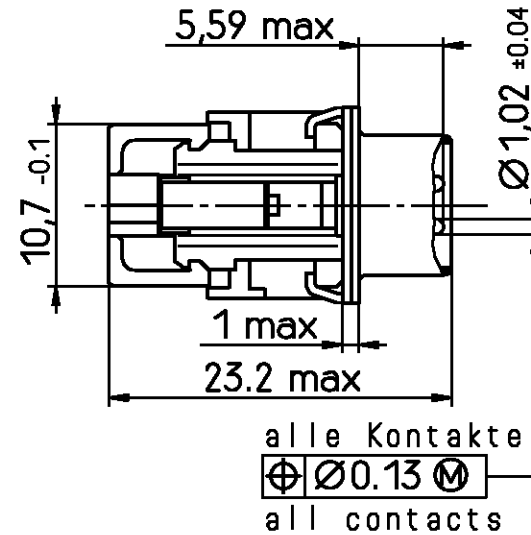
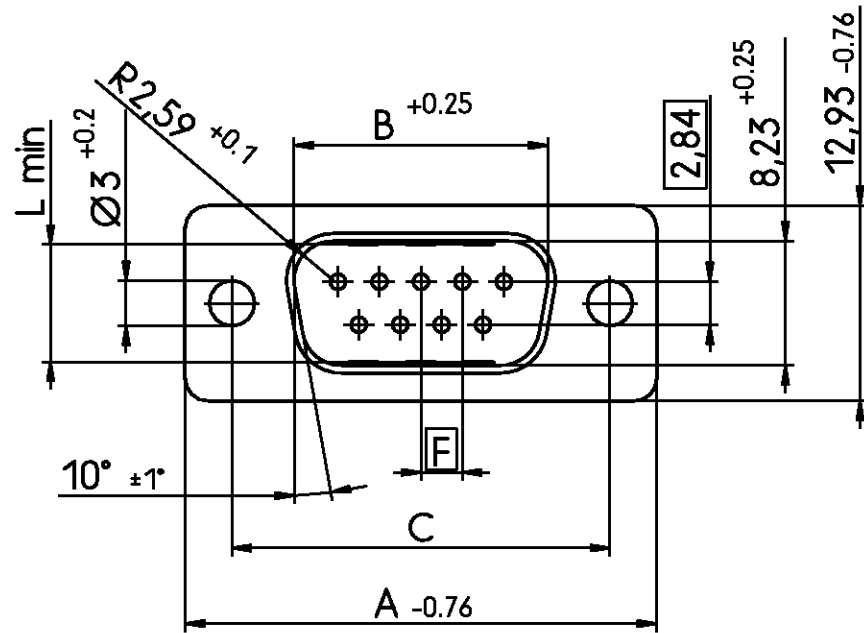
THIS INFORMATION IS CONFIDENTIAL AND PROPRIETARY TO TYCO ELECTRONICS CORPORATION AND ITS WORLDWIDE SUBSIDIARIES AND AFFILIATES. IT MAY NOT BE DISCLOSED TO ANYONE, OTHER THAN TYCO ELECTRONICS PERSONNEL, WITHOUT WRITTEN AUTHORIZATION FROM TYCO ELECTRONICS CORPORATION, HARRISBURG PENNSYLVANIA USA

PROPRIETARY:

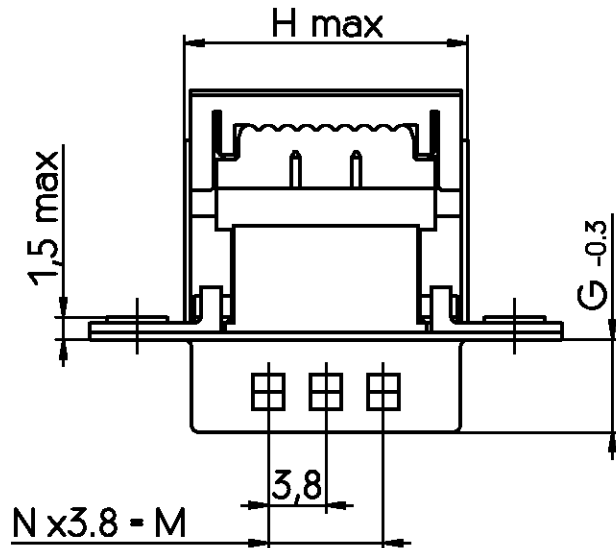
Standardausführung: V42254-A5235-C\*\*\*  
 standard versions: V42254-A5237-C\*\*\*

Maße mit Oberteil im vorgerasteten Zustand  
 dimensions with snap-on cover prelatched

Maße mit Oberteil im verpreßten Zustand und montierten Zugentlastungsbügel (standardmäßig nicht mitgeliefert)  
 dimensions with press-on cover pressed down and with mounted strain relief clamp (not standard included)



zu verwendende Zugentlastungsbügel:  
 strain relief clamp to use:  
 9 p.: V42254-A4000-D9  
 x-xxxxxxx-x  
 15 p.: V42254-A4000-D15  
 x-xxxxxxx-x  
 25 p.: V42254-A4000-D25  
 x-xxxxxxx-x  
 37 p.: V42254-A4000-D37  
 x-xxxxxxx-x



Gesamtleiter- querschnitt mm <sup>2</sup> overall conductor crosssectional area mm <sup>2</sup>	AWG- Bereich AWG range	Gesamtleiter- durchmesser mm overall conductor diameter mm	Anzahl der Einzellitzen no. of single stranded wires	Leiter // conductor	Isolierhülle insulating sleeve	
					Durchmesser diameter	Material material
-	30	0.25 <sup>3)</sup>	1	Massiv // solid	1 => 1.1 max	PVC
-	28	0.32 <sup>3)</sup>	1	Massiv // solid	0.8 => 1.1 max	PVC
0.09 <sup>3)</sup>	28	-	7	Litze // stranded	0.8 => 1.1 max	PVC
0.14	26	-	7	Litze // stranded	0.8 => 1.1 max	PVC

Sachnr. order code V42254- A523*-	Pol- zahl no. of contacts	dimension Maß	A	B	C	F	G	H	L	M	N
C*09	09		31.19	16.79	25.0 ±0.12 -0.13	2.74	6.12	18.73	7.72	7.6	2
C*15	15		39.52	25.12	33.3 ±0.15 -0.1	2.74	6.12	27.26	7.69	15.2	4
C*25	25		53.42	38.84	47.04 ±0.13 -0.13	2.76	5.99	40.78	7.65	26.6	7
C*37	37		69.7	55.3	63.5 ±0.13 -0.13	2.76	5.99	57.44	7.65	41.8	11

Zu verwendende Leitungen // cables to be used  
 Flachbandkabel // ribbon cable  
 Verwendet werden können alle // all commercially available  
 handelsüblichen Kabel mit: // cables with:  
 - einer Isolierhülle aus PVC // - insulation sleeve made of PVC  
 - verzinnnten oder versilberten // - tin-coated or silver-plated  
 Kupferdrähten // copper wires

Anforderungsstufe<sup>1)</sup>  
 performance level  
 dargestellt wird die 9-polige  
 Ausführung  
 drawn is the 9-contacts  
 version

3) nur mit Zugentlastungsbügel verwenden  
 2) Maße mit Zugentlastungsbügel  
 1) nach DIN 41652 T.2 und T.4

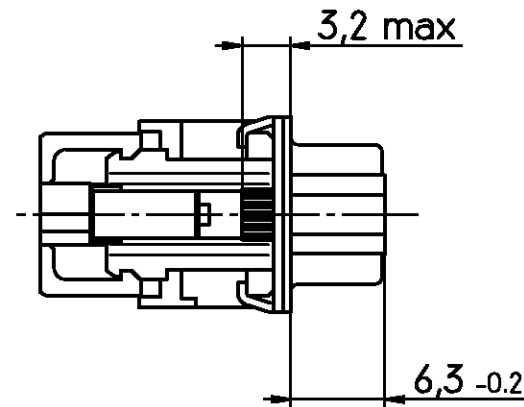
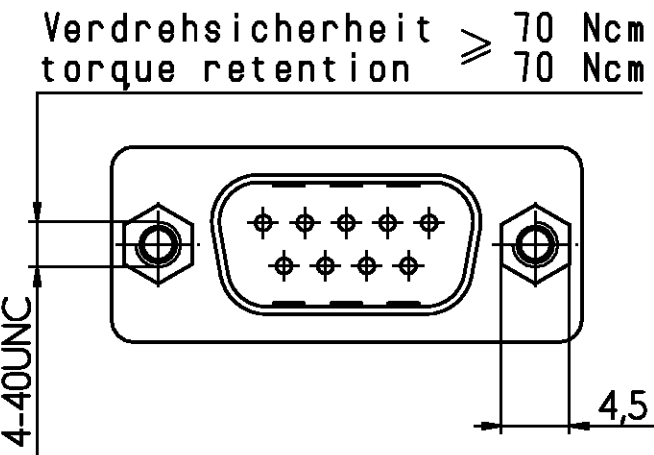
3) only to use with strain relief clamp  
 2) dimensions with strain relief clamp  
 1) according to DIN 41652 p.2 and p.4

<b>tyco</b> TYCO ELECTRONICS CORPORATION		SCALE 2:1		WEIGHT
OOSTKAMP - BELGIUM		DIMENSIONS IN MM		MATERIAL
D	EH01-0346-04	11 MAR 04	PDJ	DATE 06.05.91
C1	SR10-0484-02	18 NOV 02	KV	NAME Sterckx
C	SR10-0073-02	04 FEB 02	KV	DEP. PE Com PE&SE
B	SR10-0227-01	31 MAY 01	KV	
A	WO00/7020	28 AUG 00	KV	TOLERANCE UNLESS SPECIFIED OTHERWISE
O5	WO96/2536	20.09.96	DG	
O4	WO94/155	28.03.94	RST	
REV.	CHANGE ORDER	DATE	APP.	Customer Drawing Nr. C 9-1393485-1
PART NAME				SHT. 1+
Sub-D Schneidklemmanschluß (in Blister)				
Stiftleiste mit Schirmfiederung (für Flachleitungen)				
D-Sub IDC (for ribbon cables / in blister pack)				
male connector with grounding fingers				
PART NO.				
V42254-A523*-C***-*-27				
OF 4				

THIS INFORMATION IS CONFIDENTIAL AND PROPRIETARY TO TYCO ELECTRONICS CORPORATION AND ITS WORLDWIDE SUBSIDIARIES AND AFFILIATES. IT MAY NOT BE DISCLOSED TO ANYONE, OTHER THAN TYCO ELECTRONICS PERSONNEL, WITHOUT WRITTEN AUTHORIZATION FROM TYCO ELECTRONICS CORPORATION, HARRISBURG PENNSYLVANIA USA

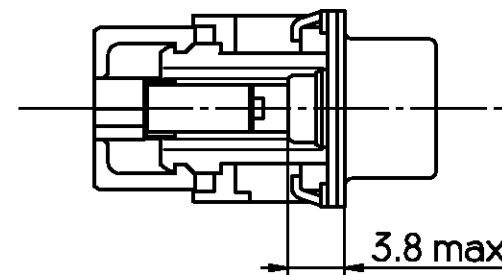
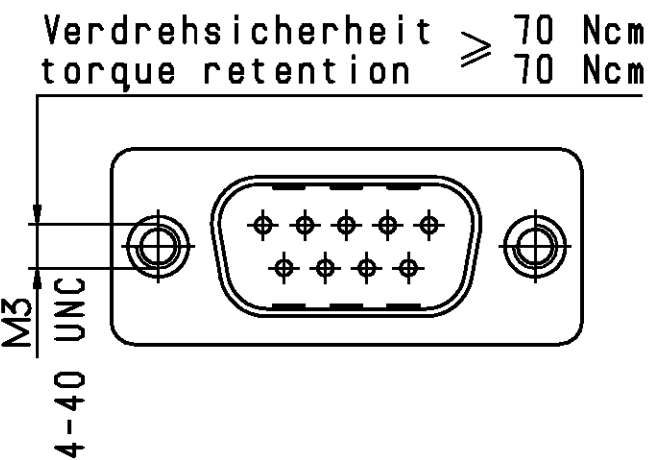
PROPRIETARY:

mit Gewindebolzen: V42254-A5236-C\*\*\*  
 with screwlock stud bolts: V42254-A5238-C\*\*\*



mit Stop-Mutter:  
 with self locking nuts:

M3: V42254-A5234-C\*\*\*    4-40UNC: V42254-A5232-C\*\*\*  
 V42254-A5239-C\*\*\*        V42254-A5233-C\*\*\*



dargestellt wird die 9-polige Ausführung  
 drawn is the 9-contacts version

<b>tyco</b>		TYCO ELECTRONICS CORPORATION		SCALE 2:1		WEIGHT	
<b>Electronics</b>		OOSTKAMP - BELGIUM		DIMENSIONS IN MM		MATERIAL	
DATE		06.05.91		PART NAME		Sub-D Schneidklemmanschluß (in Blister)	
NAME		Sterckx		D-Sub IDC (for ribbon cables / in blister pack)		male connector with grounding fingers	
DEP.		PE Com PE&SE		PART NO.		V42254-A523*-C***-*27	
REV.		CHANGE ORDER		DATE		APP.	
SEE SHEET 1		Customer Drawing Nr. C 9-1393485-1		TOLERANCE UNLESS SPECIFIED OTHERWISE		SHT. 2+	
						OF 4	

THIS INFORMATION IS CONFIDENTIAL AND PROPRIETARY TO TYCO ELECTRONICS CORPORATION AND ITS WORLDWIDE SUBSIDIARIES AND AFFILIATES. IT MAY NOT BE DISCLOSED TO ANYONE, OTHER THAN TYCO ELECTRONICS PERSONNEL, WITHOUT WRITTEN AUTHORIZATION FROM TYCO ELECTRONICS CORPORATION, HARRISBURG PENNSYLVANIA USA

PROPRIETARY:

V 4 2 2 5 4 - A 5 \* \* \* - C \* \* \*

Anschlußausführung // connection type  
 2 AWG 26/28 Litze oder // AWG 26/28 stranded  
 AWG 28/30 Massiv // or AWG 28/30 solid

Anschlußoberfläche // tail surface  
 3 verzinkt // tinned

Steckverbinderunterscheidung // connector version				
	verzinkt tinned	mit tyco- Beschriftung auf Blechteil with tyco marking on the shell	mit Stop- mutter with self locking nuts	mit Gewinde- bolzen with screwlock stud bolts
2	ja // yes	ja // yes	4-40UNC	nein // no
3	ja // yes	nein // no	4-40UNC	nein // no
4	ja // yes	ja // yes	M3	nein // no
5	ja // yes	ja // yes	nein // no	nein // no
6	ja // yes	ja // yes	nein // no	4-40UNC
7	ja // yes	nein // no	nein // no	nein // no
8	ja // yes	nein // no	nein // no	4-40UNC
9	ja // yes	nein // no	M3	nein // no

Polzahl - Gehäusegröße // no. of contacts / housing size	
09	9-polig - Gehäusegröße 1 // 9-contacts / housing size 1
15	15-polig - Gehäusegröße 2 // 15-contacts / housing size 2
25	25-polig - Gehäusegröße 3 // 25-contacts / housing size 3
37	37-polig - Gehäusegröße 4 // 37-contacts / housing size 4

Kontaktfläche / Kontaktart // contact surface / contact type	
1	Anforderungsstufe 1 / gerollte Kontakte // performance level I / rolled contacts
2	Anforderungsstufe 2 / gerollte Kontakte // performance level II / rolled contacts

Steckerart // connector type  
 C Stiftleiste mit Schirmfiederung // male connector with grounding fingers

<b>tyco</b> TYCO ELECTRONICS CORPORATION				SCALE	WEIGHT
OOSTKAMP - BELGIUM		LOC GW DIMENSIONS IN MM		MATERIAL	
DATE	06.05.91	PART NAME		Sub-D Schneidklemmanschluß (in Blister)	
NAME	Sterckx	D-Sub IDC (for ribbon cables / in blister pack)		male connector with grounding fingers	
DEP.	PE Com PE&SE	PART NO.		SHT. 3+	
TOLERANCE UNLESS SPECIFIED OTHERWISE		V42254-A523*-C***-*-27		OF 4	
REV. D	SEE SHEET 1	Customer Drawing Nr. C 9-1393485-1			
REV.	CHANGE ORDER	DATE	APP.		

Active part numbers. Contact Tyco Electronics for other configuration availability

Old Part Number	Tyco Part Number
V42254-A5232-C209	9-1393485-1
V42254-A5232-C215	9-1393485-2
V42254-A5232-C225	9-1393485-3
V42254-A5232-C237	4-1392010-2
V42254-A5234-C115	1-1393486-3
V42254-A5234-C209	1-1393486-4
V42254-A5234-C215	1-1393486-6
V42254-A5234-C225	1-1393486-7
V42254-A5234-C237	2-1392010-5
V42254-A5235-C109	3-1393486-8
V42254-A5235-C115	3-1393486-9
V42254-A5235-C209	4-1393486-2
V42254-A5235-C215	4-1393486-3
V42254-A5235-C225	4-1393486-4
V42254-A5235-C237	4-1393486-6
V42254-A5237-C209	0-1393487-1
V42254-A5237-C215	0-1393487-3
V42254-A5237-C225	0-1393487-5
V42254-A5237-C237	0-1393487-7

A

B

C

D

E



Tyco Electronics Corporation  
Oostkamp - Belgium



LOC DIMENSIONS IN MM

DATE	06.05.91
NAME	Sterckx
DEP.	PE Com PE&SE
TOLERANCE UNLESS SPECIFIED OTHERWISE	

SCALE MATERIAL

PART NAME  
Sub-D Schneidklemmanschluß (in Blister)  
Stiftleiste mit Schirmfiederung (für Flachleitungen)  
D-Sub IDC (for ribbon cables / in blister pack)  
male connector with grounding fingers

PART NO.  
V42254-A523\*-C\*\*\*-\*-27

SHT. 4-

REV. CHANGE ORDER	DATE	APP.	Customer Drawing Nr. C 9-1393485-1
1			
		2	3
			4

THIS INFORMATION IS CONFIDENTIAL AND PROPRIETARY TO TYCO ELECTRONICS CORPORATION AND ITS WORLDWIDE SUBSIDIARIES AND AFFILIATES. IT MAY NOT BE DISCLOSED TO ANYONE OTHER THAN TYCO ELECTRONICS PERSONNEL WITHOUT WRITTEN AUTHORIZATION FROM TYCO ELECTRONICS CORPORATION, HARRISBURG, PENNSYLVANIA USA.

PROPRIETARY: