

THIS DRAWING IS UNPUBLISHED.
DIFFUSION RESEINTE AMP

RELEASED FOR PUBLICATION ,19

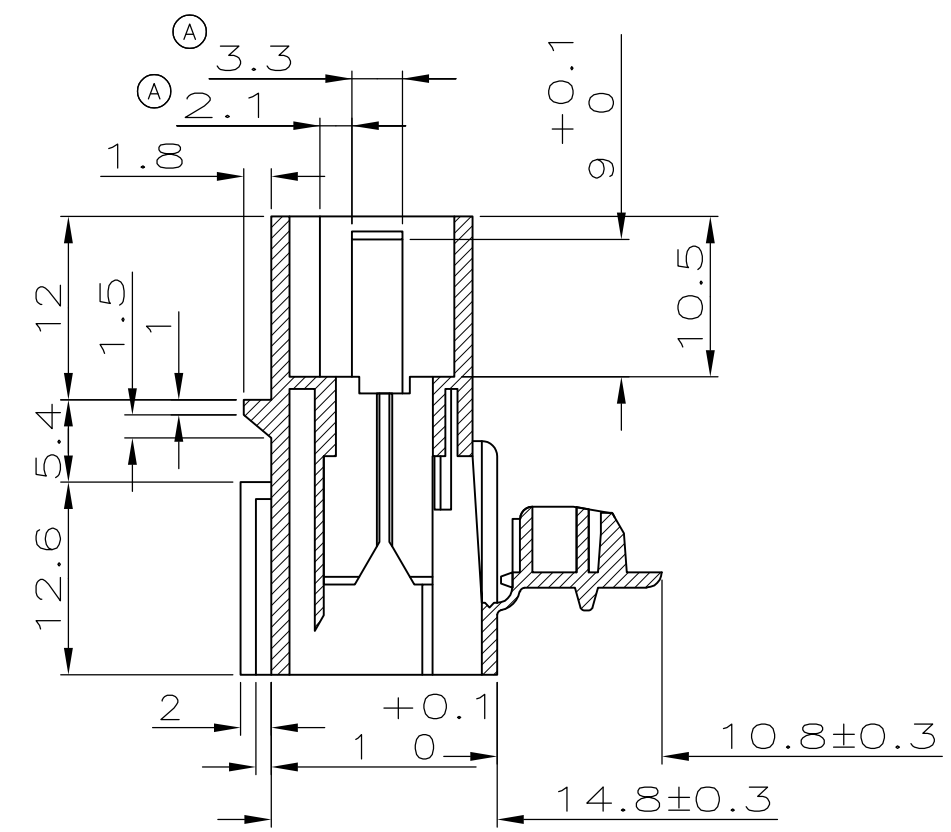
© COPYRIGHT BY TYCO ELECTRONICS CORP. ALL RIGHTS RESERVED.
TOUS DROITS RESERVES

LOC F DIST 7

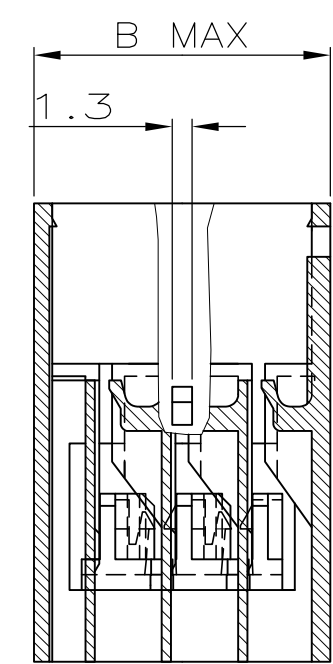
REVISIONS

P	LTR REV	DESCRIPTION MODIFICATIONS	DATE	DWN DESS.	APVD APP.
	B	ERREUR DANS TABLE DES REFERENCES	10-MAY-06	RP	-
	B1	REVISED PER ECO-09-020935	03SEP09	KK	AEG

COUPE B-B



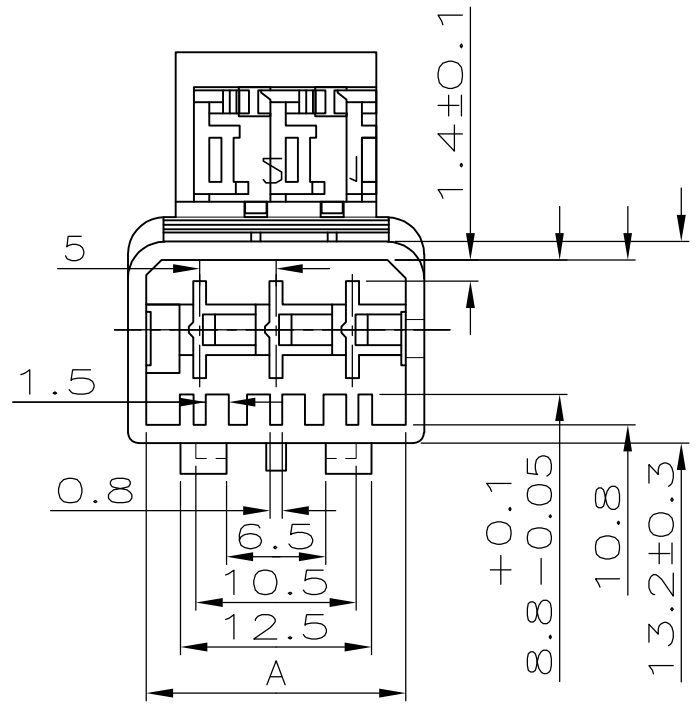
COUPE A-A



1 OBSOLETE PARTS: OBSOLETE CIS STREAMLINING PER D.RENAUD/D.SINISI

KEYING (DETROMPAGES)

2 POSITIONS		3 POSITIONS	
	BLACK (NOIR) 0-144835-2		BLACK (NOIR) 0-144835-3
	BROWN (MARRON) 1-144835-2		BROWN (MARRON) 1-144835-3
	RED (ROUGE) 2-144835-2		RED (ROUGE) 2-144835-3
	ORANGE 3-144835-2		ORANGE 3-144835-3
	YELLOW (JAUNE) 4-144835-2		YELLOW (JAUNE) 4-144835-3
	GREEN (VERT) 5-144835-2		GREEN (VERT) 5-144835-3
	BLUE (BLEU) 6-144835-2		BLUE (BLEU) 6-144835-3
	VIOLET 7-144835-2		VIOLET 7-144835-3
	GREY (GREY) 8-144835-2		GREY (GREY) 8-144835-3
	WHITE (BLANC) 9-144835-2		WHITE (BLANC) 9-144835-3



19.7	17	3	144835-3
14.7	12	2	144835-2
B	A	Nb de VOIES (Nb of WAYS)	REFERENCES

THIS DRAWING IS A CONTROLLED DOCUMENT. CE PLAN EST UN DOCUMENT CONTROLE.		DWN/DESSINE Remi PATIN 10-MAY-06	tyco Electronics	TYCO ELECTRONICS FRANCE SAS BP 39, 95301 CERGY-PONTOISE CEDEX	
DIMENSIONS: mm		CHK/VERIFIE JP PICAUD 10-MAY-06		NAME TITRE	
TOLERANCES UNLESS OTHERWISE SPECIFIED: TOLERANCES NON SPECIFIEES (SUIV NB DE DECIMALES):		APVD/APPROUVE J DAHER 10-MAY-06	BOITIER PORTE-LANG. 5MM DOUBLE VERR. (HOUSING FOR TAB 5mm DOUBLE LOCKING)		
0 - PLC/DEC ±		PRODUCT SPEC SPEC. PRODUIT	SIZE FORMAT	CAGE CODE	DRAWING NO TITRE
1 - PLC/DEC ±0.2		APPLICATION SPEC SPEC. APPLICATION	A3	00779	C-144835
2 - PLC/DEC ±		WEIGHT MASSE APPROX.	RESTRICTED TO		
3 - PLC/DEC ±			UNIQUEMENT POUR REFERENCE		
4 - PLC/DEC ±			SCALE ECHELLE 2:1		
ANGLES ±2°			SHEET FEUILLE 1 OF 1		
MATERIAL MATIERE POLYAMIDE 6.6			REV B1		