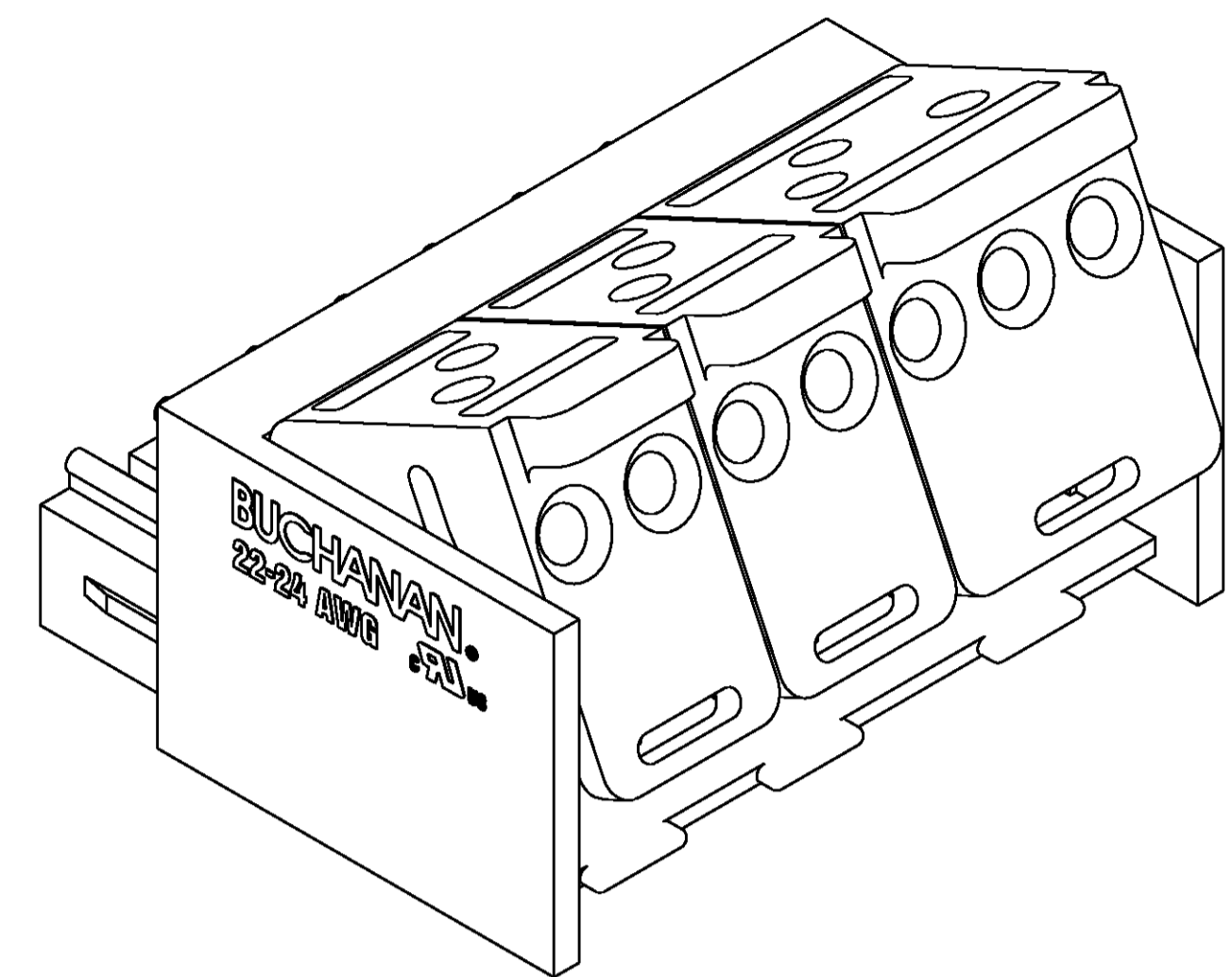
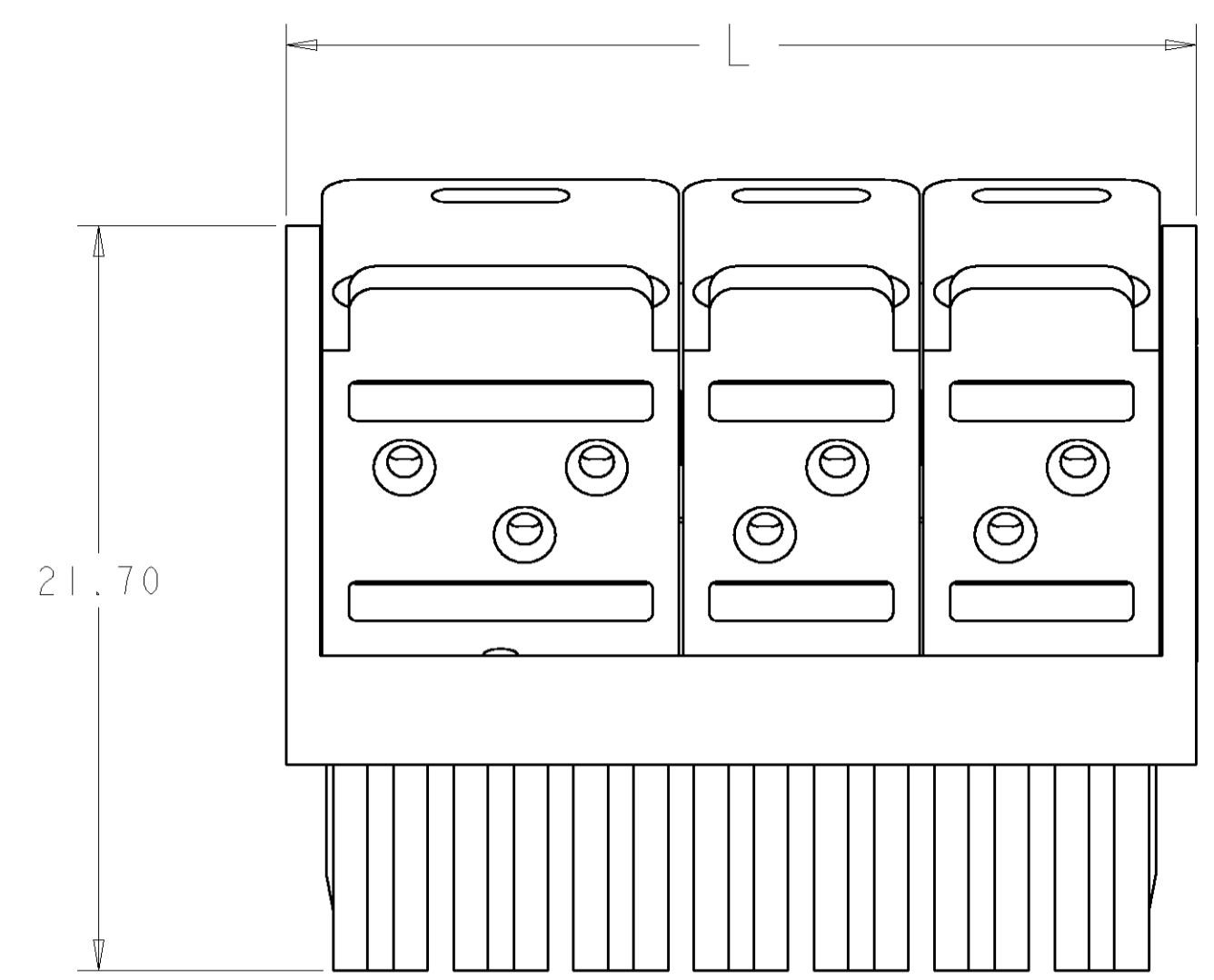
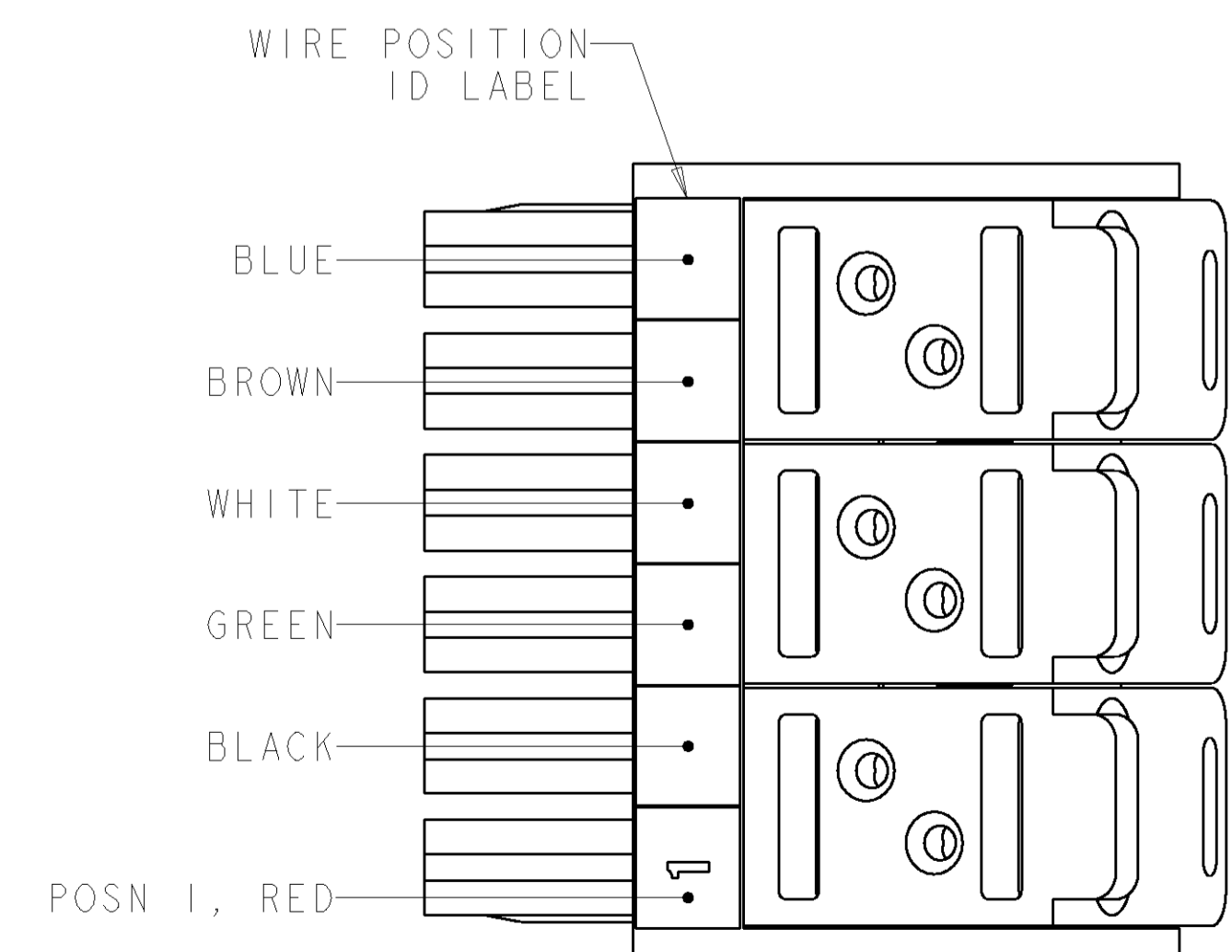
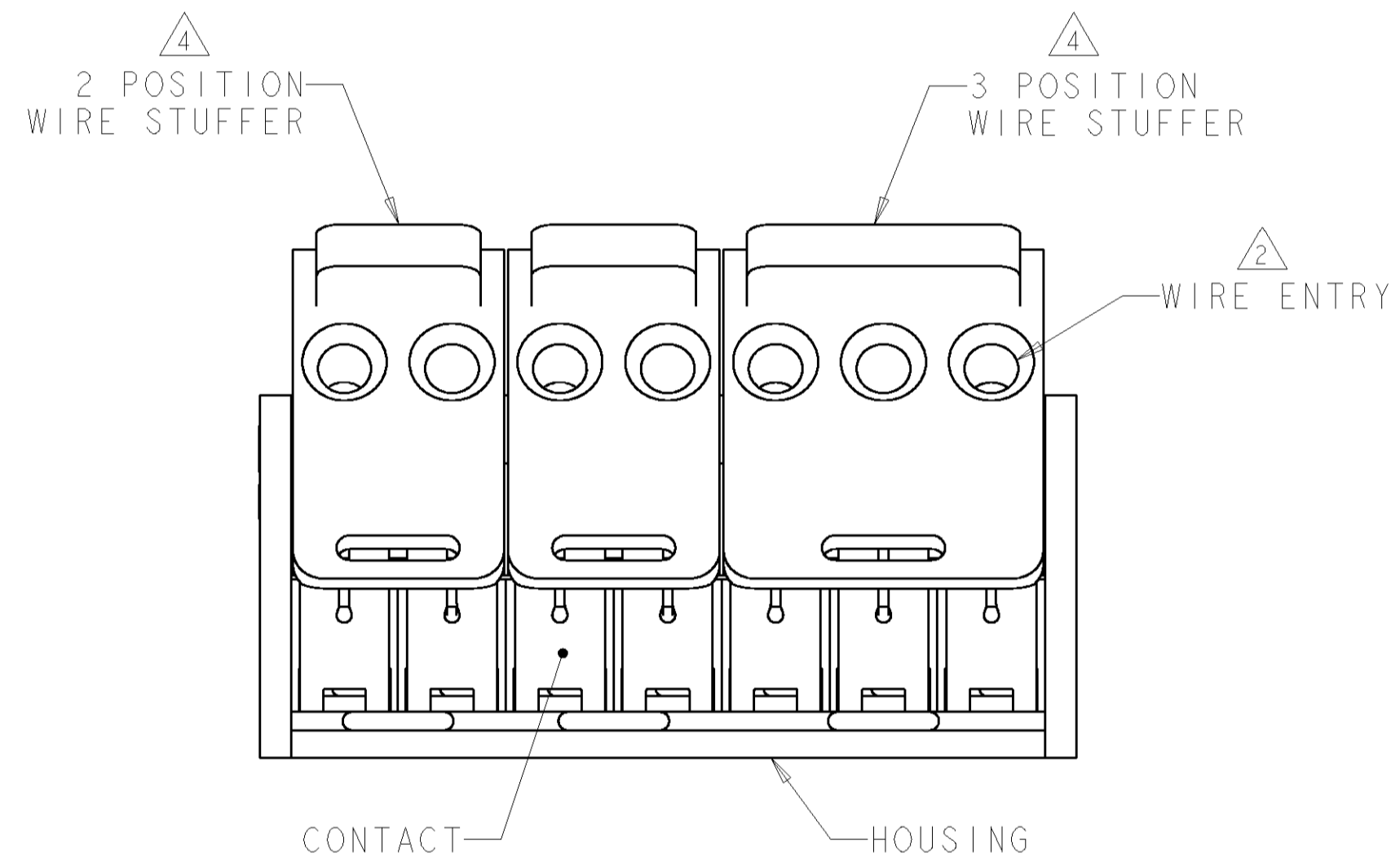
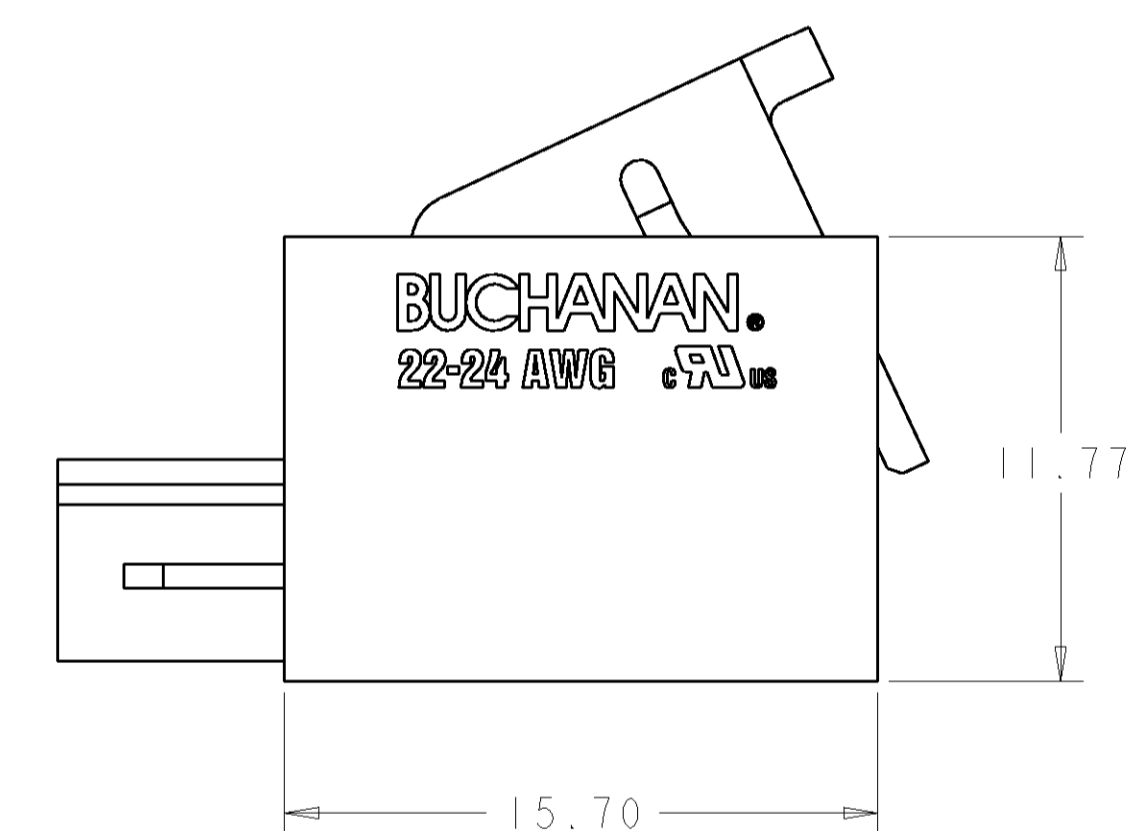
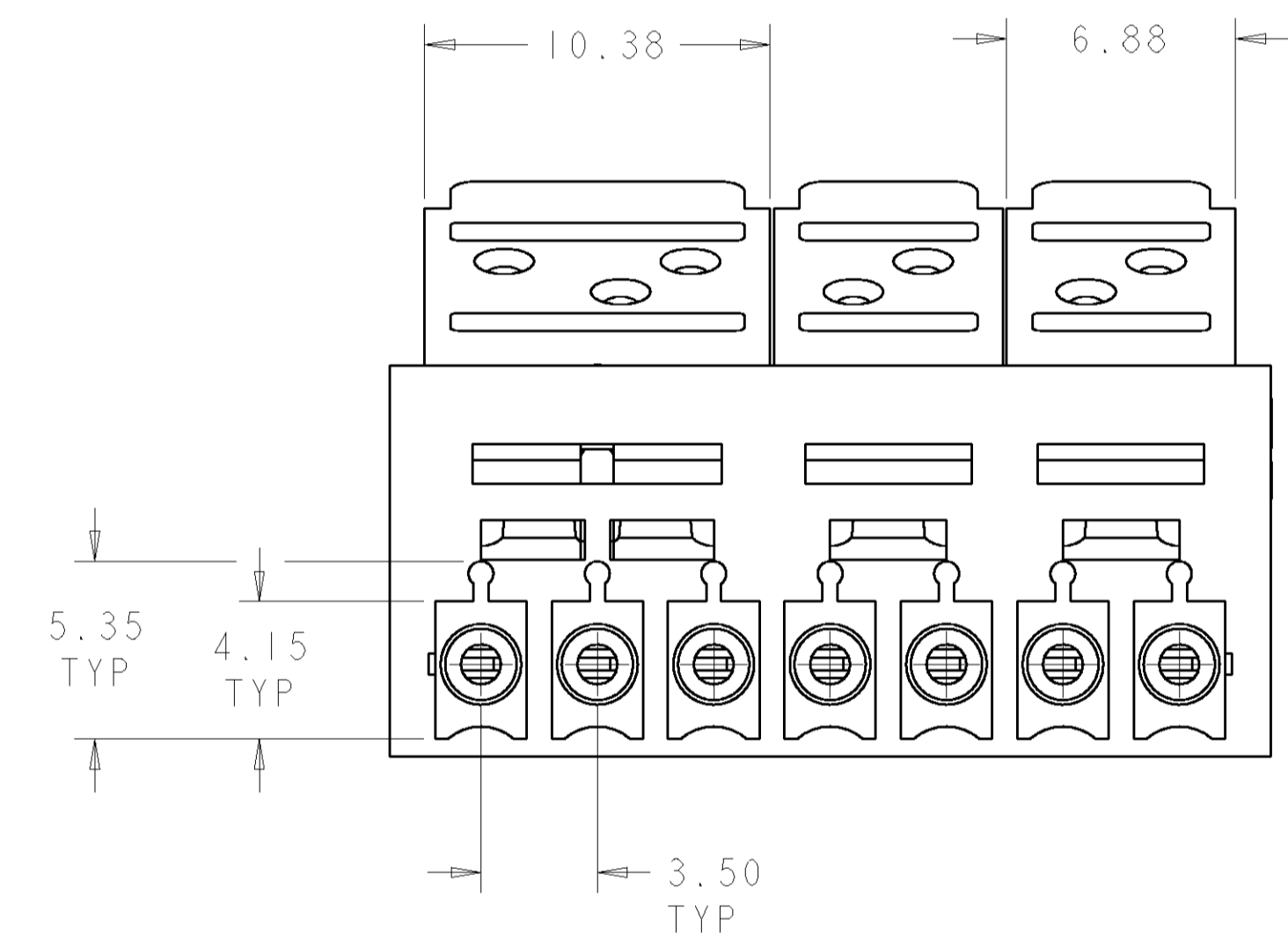


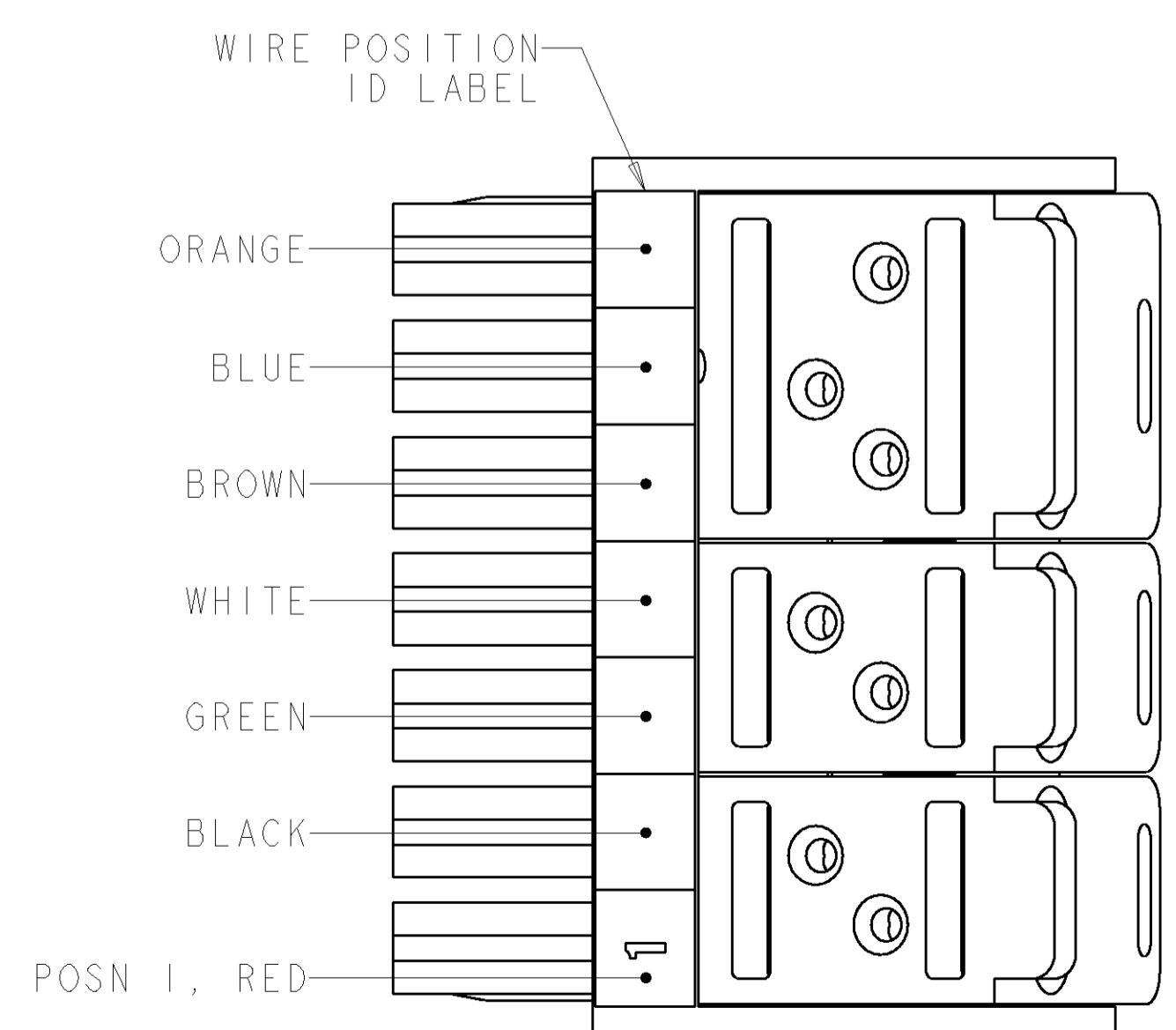
LOC		DIST		REVISIONS			
FT	0	P	LTR	DESCRIPTION	DATE	DWN	APVD
		O		PRELIMINARY EC 0G3B-0963-04	18MAR2005	SW	CR
		A		RELEASED EC 0G3B-0109-05	18MAR2005	SW	CR



- 1. MATERIAL AND FINISH:
 HOUSING: POLYESTER, COLOR: LIGHT BLUE.
 WIRE STUFFERS: POLYCARBONATE, COLOR: CLEAR.
 CONTACT: COPPER ALLOY, 3.00µm MINIMUM TIN OVER 1.27µm NICKEL.
- 2. WIRE ENTRY ACCEPTS ONE UNSTRIPPED, STRANDED OR SOLID COPPER 22-24 AWG WIRE WITH A MAXIMUM INSULATION DIAMETER OF 1.52mm. RECOMMENDED WIRE INSULATION IS PVC. THIS CONNECTOR MAY NOT FUNCTION CORRECTLY WITH SRPVC OR ANY OTHER RIGID OR SEMI-RIGID INSULATION. CONTACT TYCO FOR ALL OTHER WIRE INSULATION APPROVAL BEFORE USE.
- 3. MATES WITH 3.5mm OPEN AND CLOSED-END INDUSTRY STANDARD HEADERS.
- 4. ODD POSITION ASSEMBLIES USE ONE 3 POSITION WIRE STUFFER LOCATED OVER THE LAST THREE POSITIONS AS SHOWN AND 2 POSITION WIRE STUFFERS FOR REMAINING POSITIONS.
- 5. ASSEMBLIES SHIPPED WITH WIRE STUFFERS IN THE OPEN POSITION.



4-1776279-6
EVEN POSITION ASSEMBLY



4-1776279-7
ODD POSITION ASSEMBLY

26.50	7	4-1776279-7
23.00	6	4-1776279-6
58.00	16	1-1776279-6
54.50	15	1-1776279-5
51.00	14	1-1776279-4
47.50	13	1-1776279-3
44.00	12	1-1776279-2
40.50	11	1-1776279-1
37.00	10	1-1776279-0
33.50	9	1776279-9
30.00	8	1776279-8
26.50	7	1776279-7
23.00	6	1776279-6
19.50	5	1776279-5
16.00	4	1776279-4
12.50	3	1776279-3
9.00	2	1776279-2
L	MO OF POSN	PART NUMBER

DIMENSIONS:		TOLERANCES UNLESS OTHERWISE SPECIFIED:		DWN: S. WELDON 18MAR2005		BY: C. RICHARD 18MAR2005		APVD: C. RICHARD 18MAR2005		NAME: BUCHANAN Tyco Electronics Harrisburg, PA 17105-3608	
mm		0 PLC ±.5		1 PLC ±0.13		3 PLC ±0.000		4 PLC ±0.000		PRODUCT SPEC: 108-1981	
MATERIAL:		FINISH:		WEIGHT:		SCALE: 5:1		SHEET: 1 OF 1		REV: A	
CUSTOMER DRAWING		SCALE: 5:1		SHEET: 1 OF 1		REV: A		CAGE CODE: 00779		DRAWING NO: 1776279	