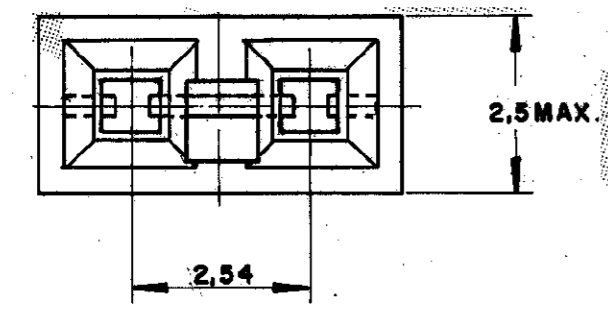
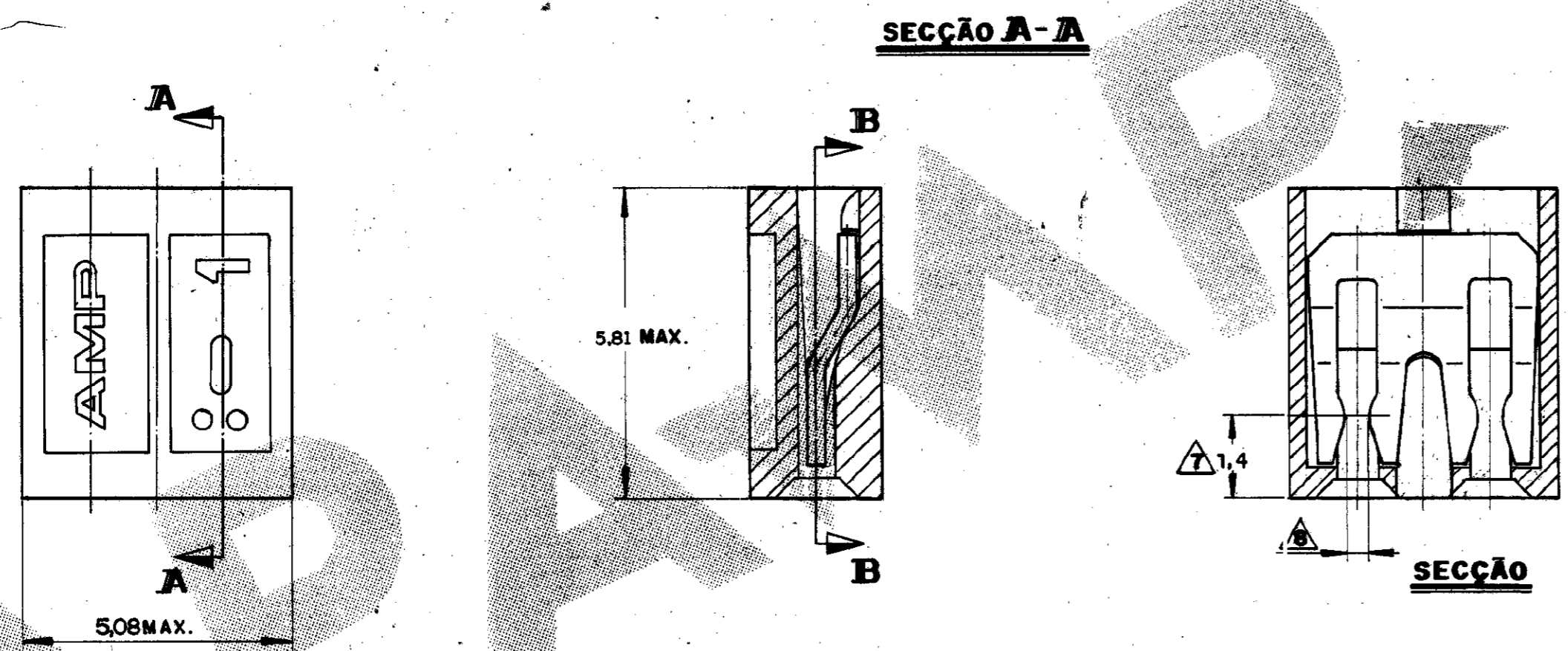


C 881545

DO NOT SCALE
DIMENSIONS IN mm.

METRIC

3rd ANGLE PROJECTION



OBSOLETE 13	6		2	8
	6		2	7
	4		2	6
	3	2	2	881545-5
OBSOLETE 13	6		1	8
	5		1	7
	4		1	6
	3	1	1	5
OBSOLETE 13	6		1	4
	5		1	3
	4		1	2
	3	1	1	881545-1

OTHER TREATMENT	FINISH	MATERIAL	PART NUMBER
CUSTOMER DWG for REFERENCE ONLY			
THIS DRAWING IS UNPUBLISHED. RELEASED FOR PUBLICATION.		19	
C. COPYRIGHT 19 BY AMP DO BRASIL LTDA S.P. - ALL INTERNATIONAL RIGHTS RESERVED. AMP PRODUCTS MAY BE COVERED BY U.S. AND FOREIGN PATENTS AND/OR PATENTS PENDING.			
TOLERANCES UNLESS OTHERWISE STATED: DEC. ±0.5 ANGLES ±1°		INS. DIA. RANGE	WIRE RANGE
DR. <i>[Signature]</i> 11-09-88		AMP AMP do BRASIL LTDA. São Paulo, Brasil	
CHK. <i>[Signature]</i> 08-11-88		DESCRIPTION AMP SHUNT	
DES. <i>[Signature]</i>		LOW PROFILE CONNECTOR ASS'Y	
REVISED EC L800014003 H.C. 29 JUL 03		DWG NO. A2	SHEET 2 OF 2
ISS	REVISION RECORD	DR	CHK