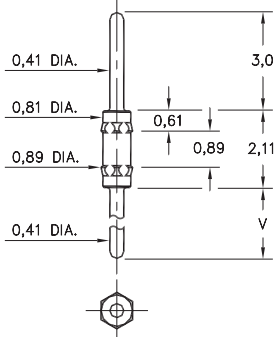


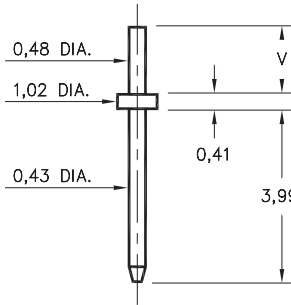
4006



Basic Part Number	Length V
4006-0	3,0
4006-1	4,78
4006-2	7,32

4006-X-00-XX-00-00-03-0
Hex Press-fit in 0,86 mounting hole

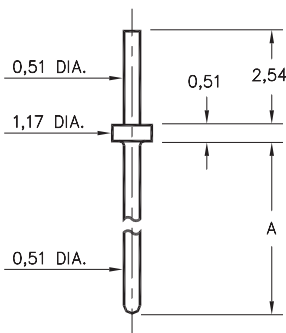
3121



Basic Part Number	Substrate Thickness	Length V
3121-1	0,64	1,55
3121-2	1,02	1,91

3121-X-00-XX-00-00-08-0
Solder mount in 0,58 mounting hole
Material is annealed.

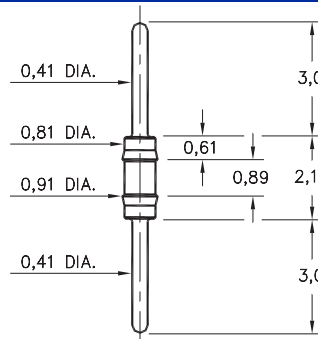
3128



Basic Part Number	Length A
3128-1	6,35
3128-2	10,8
3128-3	13,34
3128-4	14,22
3128-5	23,62

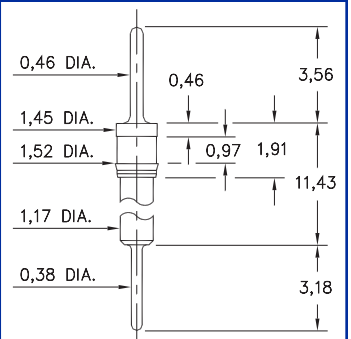
3128-X-00-XX-00-00-08-0
Solder mount in 0,61 min. mounting hole

3006



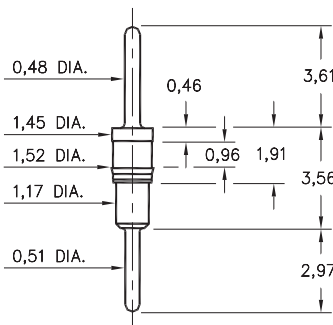
3006-0-00-XX-00-00-03-0
Press-fit in 0,86 mounting hole

8885



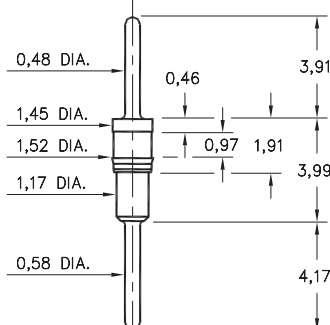
8885-0-00-XX-00-00-03-0
Press-fit in 1,45 mounting hole

6218



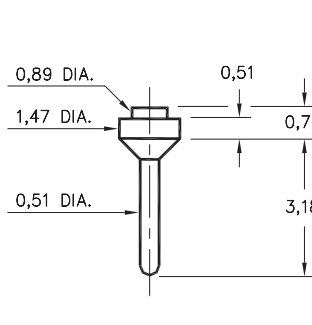
6218-0-00-XX-00-00-03-0
Press-fit in 1,45 mounting hole

5012



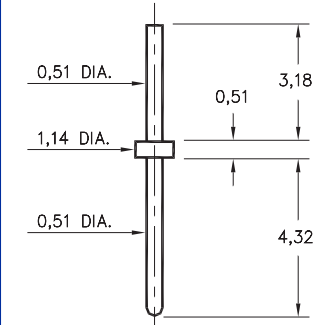
5012-0-00-XX-00-00-03-0
Press-fit in 1,45 mounting hole

0508



0508-0-00-XX-00-00-03-0
Surface Mount

9081



9081-0-00-XX-00-00-08-0
Solder mount in 0,61 mounting hole

SPECIFICATIONS

PIN MATERIAL:
Brass Alloy 360, 1/2 Hard
(Except where noted)

DIMENSION IN INCHES
TOLERANCES ON:
LENGTHS: ±0,13
DIAMETERS: ±0,05
ANGLES: ± 2°

ORDER CODE: XXXX - X - 0X - XX - 00 - 00 - XX - 0

BASIC PART #

SPECIFY PIN FINISH:

- 01 5,08µm TIN/LEAD OVER NICKEL
- ◇ 80 5,08µm TIN OVER NICKEL (RoHS)
- ◇ 15 0,25µm GOLD OVER NICKEL (RoHS)
- ◇ 21 0,51µm GOLD OVER NICKEL (RoHS)
- ◇ 34 1,27µm GOLD OVER NICKEL (RoHS)

