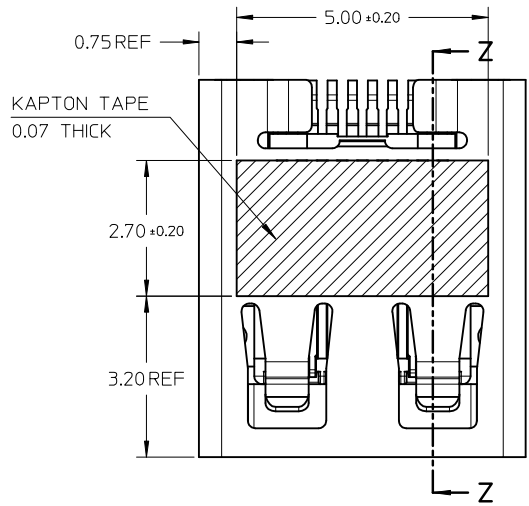
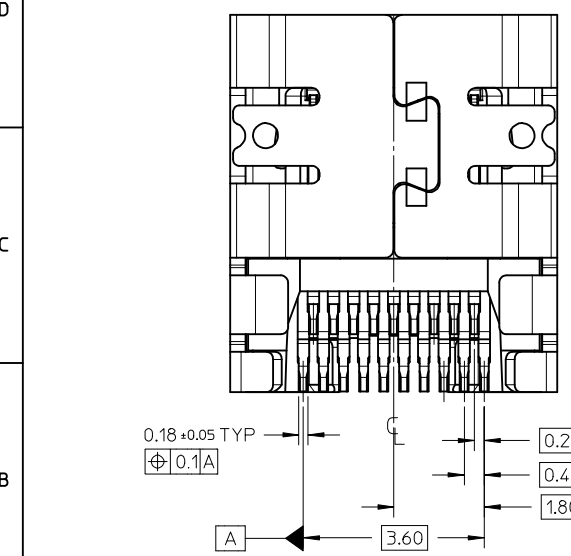


SECTION Z-Z

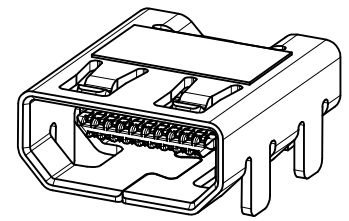
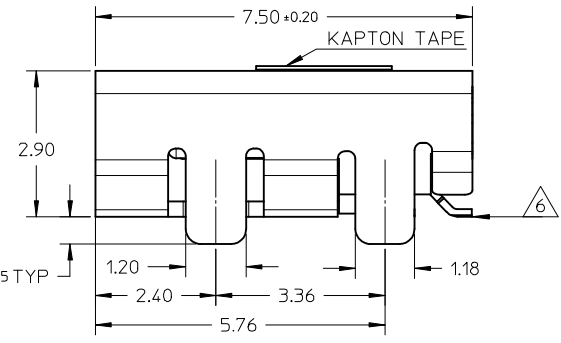
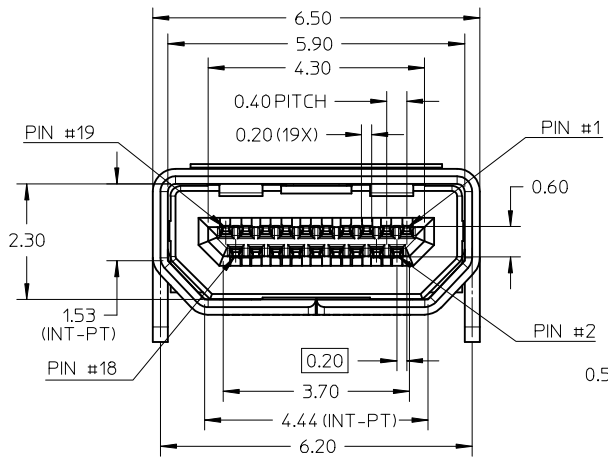


NOTES:

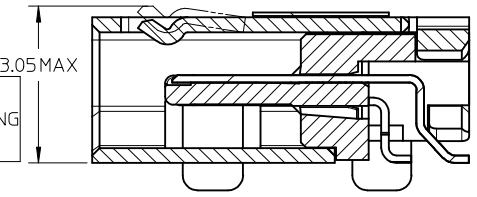
1. MATERIALS:
 HOUSING: LCP, 30% GLASS FILLED, UL94V-0
 TERMINALS: BRASS ALLOY
 SHIELD: STAINLESS STEEL
2. FINISHES:
 TERMINALS: 0.76UM MIN GOLD ON CONTACT AREA, 0.05UM MIN GOLD FLASH ON SOLDER TAILS, AND 2.0UM MIN NICKEL UNDERPLATE OVERALL
 SHIELD: 3.8UM MIN MATTE TIN OVER 1.27UM MIN NICKEL
3. PRODUCT SPECIFICATION: PS-46765-001
4. PACKAGING SPECIFICATION: PACKED IN TAPE & REEL
5. SEE SHEET 4 OF 5 FOR RECOMMENDED PCB LAYOUT
6. TERMINAL SOLDER-TAIL COPLANARITY 0.08 MAX

MOUNTING TYPE	PART NUMBER
SMT TYPE+KAPTON TAPE	46765-0001
SMT TYPE	46765-0011

RELEASED IEC NO: S2010-0287 DRWN:KSSHAMTHA 2009/10/05 CHKD: JESSIECHUA 2009/10/05 APPR: NAGESHKN 2009/10/06	QUALITY SYMBOLS	GENERAL TOLERANCES (UNLESS SPECIFIED)	DIMENSION STYLE	SCALE	DESIGN UNITS	THIRD ANGLE PROJECTION	
		mm INCH 4 PLACES ± --- ± --- 3 PLACES ± --- ± --- 2 PLACES ± 0.1 ± --- 1 PLACE ± --- ± --- ANGULAR ± 2 °	MM ONLY	NTS	METRIC		
	REV	DESCRIPTION	DRAWN BY	DATE	TITLE		
	A3		MKAMARAU	2008/10/14	MICRO HDMI, TYPE-D 0.4MM PITCH, 19CKT RECEPTACLE CONNECTOR		
			MBANAKIS	2008/10/14	MOLEX INCORPORATED		
				SEE TABLE	DOCUMENT NO.	SHEET NO.	
					SD-46765-001	1 OF 5	
				THIS DRAWING CONTAINS INFORMATION THAT IS PROPRIETARY TO MOLEX INCORPORATED AND SHOULD NOT BE USED WITHOUT WRITTEN PERMISSION			



MICRO HDMI-THRU HOLE TYPE MOUNTING ISOMETRIC VIEW

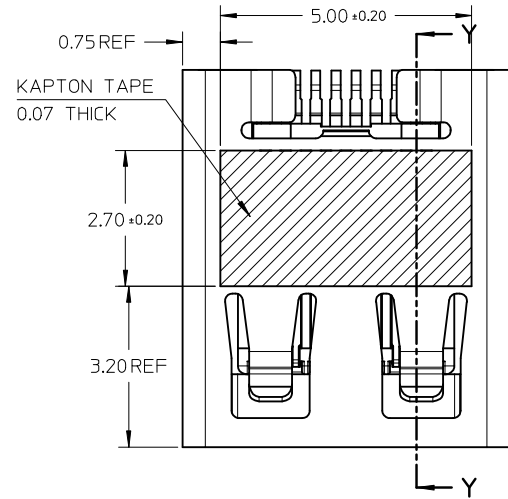
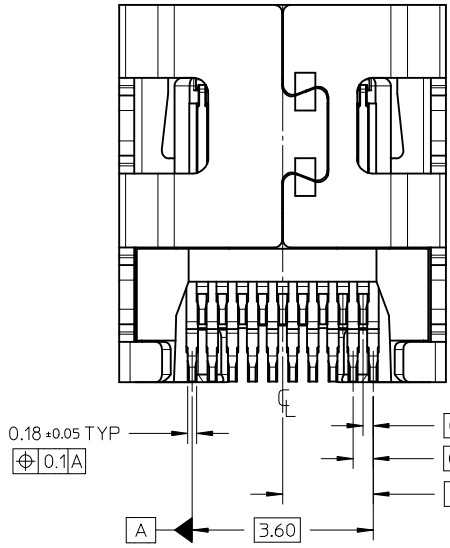


SECTION Y-Y

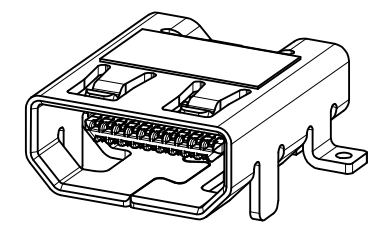
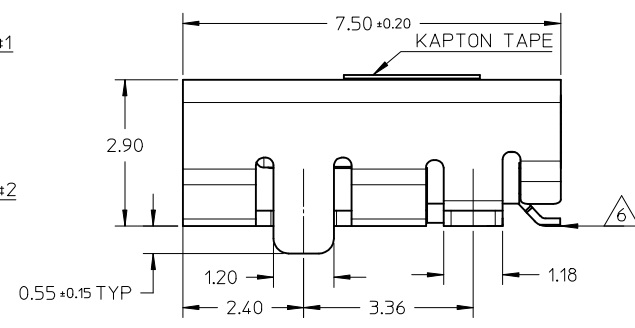
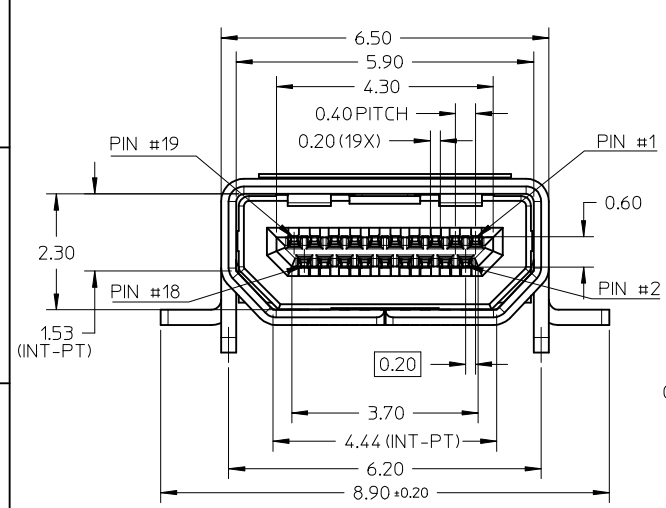
NOTES:

1. MATERIALS:
HOUSING: LCP, 30% GLASS FILLED, UL94V-0
TERMINALS: BRASS ALLOY
SHIELD: STAINLESS STEEL
2. FINISHES:
TERMINALS: 0.76UM MIN GOLD ON CONTACT AREA, 0.05UM MIN GOLD FLASH ON SOLDER TAILS, AND 2.0UM MIN NICKEL UNDERPLATE OVERALL
SHIELD: 3.8UM MIN MATTE TIN OVER 1.27UM MIN NICKEL
3. PRODUCT SPECIFICATION: PS-46765-001
4. PACKAGING SPECIFICATION: PACKED IN TAPE & REEL
5. SEE SHEET 4 OF 5 FOR RECOMMENDED PCB LAYOUT
6. TERMINAL SOLDER-TAIL COPLANARITY 0.08 MAX

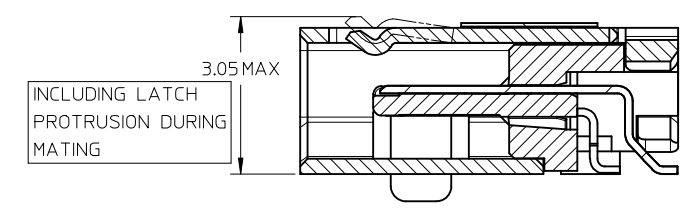
MOUNTING TYPE	PART NUMBER
THRU HOLE TYPE+KAPTON TAPE	46765-1001
THRU HOLE TYPE	46765-1011



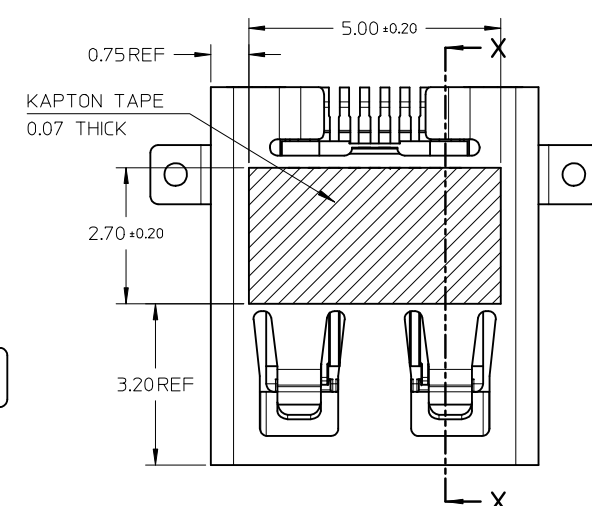
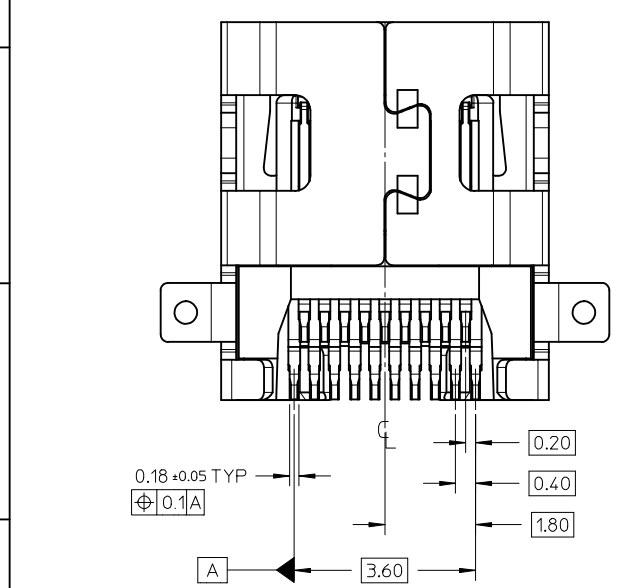
RELEASED IEC NO: S2010-0287 DRW:KSSHANITHA 2009/10/05 CHKD: JESSIECHUA 2009/10/05 APPR: NAGESHKN 2009/10/06	DESCRIPTION A3	QUALITY SYMBOLS	GENERAL TOLERANCES (UNLESS SPECIFIED)	DIMENSION STYLE	SCALE	DESIGN UNITS	THIRD ANGLE PROJECTION
		▼=0 ◻=0	mm INCH 4 PLACES ± --- ± --- 3 PLACES ± --- ± --- 2 PLACES ± 0.1 ± --- 1 PLACE ± --- ± --- ANGULAR ± 2 °	MM ONLY DRAWN BY DATE MKAMARAU 2008/10/14 CHECKED BY DATE MKAMARAU 2008/10/14 APPROVED BY DATE MBANAKIS 2008/10/14 MATERIAL NO.	NTS TITLE MICRO HDMI, TYPE-D 0.4MM PITCH, 19CKT RECEPTACLE CONNECTOR	METRIC MOLEX INCORPORATED	□
		DRAFT WHERE APPLICABLE MUST REMAIN WITHIN DIMENSIONS	SEE TABLE	MOLEX INCORPORATED SD-46765-001	SHEET NO. 2 OF 5		
		THIS DRAWING CONTAINS INFORMATION THAT IS PROPRIETARY TO MOLEX INCORPORATED AND SHOULD NOT BE USED WITHOUT WRITTEN PERMISSION					



MICRO HDMI-HYBRID TYPE MOUNTING ISOMETRIC VIEW



SECTION X-X

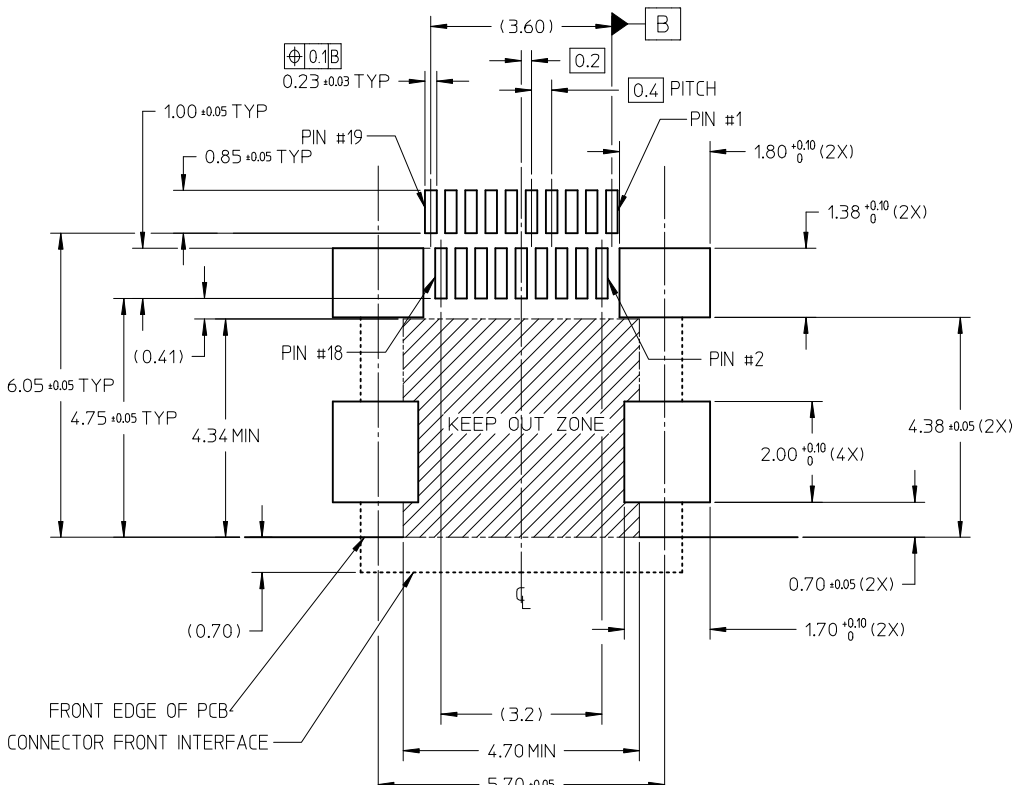


NOTES:

1. MATERIALS:
HOUSING: LCP, 30% GLASS FILLED, UL94V-0
TERMINALS: BRASS ALLOY
SHIELD: STAINLESS STEEL
2. FINISHES:
TERMINALS: 0.76UM MIN GOLD ON CONTACT AREA, 0.05UM MIN GOLD FLASH ON SOLDER TAILS, AND 2.0UM MIN NICKEL UNDERPLATE OVERALL
SHIELD: 3.8UM MIN MATTE TIN OVER 1.27UM MIN NICKEL
3. PRODUCT SPECIFICATION: PS-46765-001
4. PACKAGING SPECIFICATION: PACKED IN TAPE & REEL
5. SEE SHEET 4 OF 5 FOR RECOMMENDED PCB LAYOUT
6. TERMINAL SOLDER-TAIL COPLANARITY 0.08 MAX

MOUNTING TYPE	PART NUMBER
HYBRID TYPE+KAPTON TAPE	46765-2001
HYBRID TYPE	46765-2011

RELEASED EC NO: S2010-0287 DRW:KSSHANTHA 2009/10/05 CHKD:JESSIECHUA 2009/10/05 APPR:NAAGESHKN 2009/10/06	QUALITY SYMBOLS	GENERAL TOLERANCES (UNLESS SPECIFIED)	DIMENSION STYLE	SCALE	DESIGN UNITS	THIRD ANGLE PROJECTION
	▼=0 ◻=0	mm INCH 4 PLACES ± --- ± --- 3 PLACES ± --- ± --- 2 PLACES ± 0.1 ± --- 1 PLACE ± --- ± --- ANGULAR ± 2 °	MM ONLY	NTS	METRIC	
	REV	DESCRIPTION	DRAWN BY	DATE	TITLE	
	A3		MKAMARAU	2008/10/14	MICRO HDMI, TYPE-D 0.4MM PITCH, 19CKT RECEPTACLE CONNECTOR	
		DRAFT WHERE APPLICABLE MUST REMAIN WITHIN DIMENSIONS	CHECKED BY	DATE	MOLEX INCORPORATED	
			MBANAKIS	2008/10/14	DOCUMENT NO.	SHEET NO.
			SEE TABLE		SD-46765-001	3 OF 5
			SIZE	THIS DRAWING CONTAINS INFORMATION THAT IS PROPRIETARY TO MOLEX INCORPORATED AND SHOULD NOT BE USED WITHOUT WRITTEN PERMISSION		
			A3			

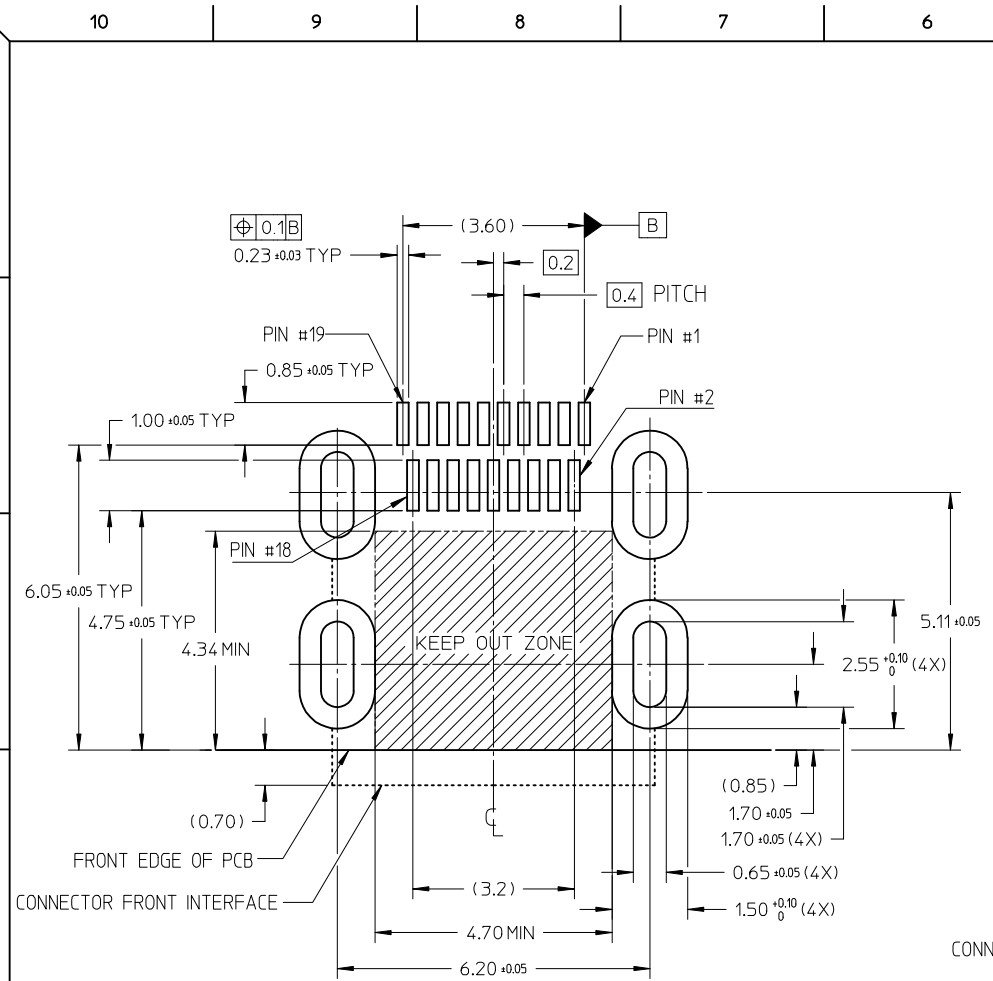


RECOMMENDED PCB LAYOUT
COMPONENT SIDE OF BOARD
SHEET 1 OF 5

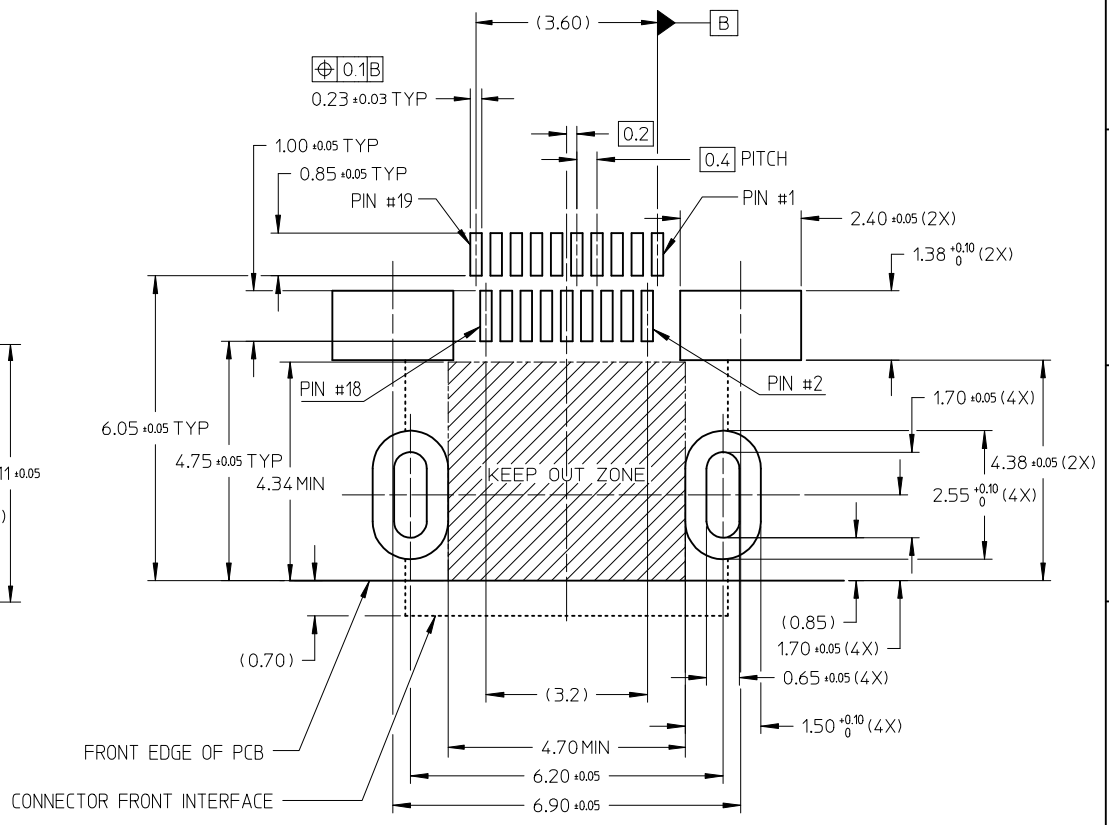
PIN	SIGNAL ASSIGNMENT
1	Hot Plug Detect
2	Utility
3	TMDS Data2+
4	TMDS Data2 Shield
5	TMDS Data2-
6	TMDS Data1+
7	TMDS Data1 Shield
8	TMDS Data1-
9	TMDS Data0+
10	TMDS Data0 Shield
11	TMDS Data0-
12	TMDS Clock+
13	TMDS Clock Shield
14	TMDS Clock-
15	CEC
16	DDC/CEC Ground
17	SCL
18	SDA
19	+5V Power

CONNECTION	SIGNALS
	TYPE D CONNECTOR
FIRST MAKE	CONNECTOR SHELL
SECOND MAKE	PINS 1 - 18
THIRD MAKE	PIN 19 (+5V POWER)

RELEASED EC NO: S2010-0287 DRINKSSHANITHA 2009/10/05 CHKD: JESSIECHUA 2009/10/05 APPR: MAGESHKN 2009/10/06	QUALITY SYMBOLS	GENERAL TOLERANCES (UNLESS SPECIFIED) <table border="1"> <thead> <tr> <th></th> <th>mm</th> <th>INCH</th> </tr> </thead> <tbody> <tr><td>4 PLACES</td><td>± ---</td><td>± ---</td></tr> <tr><td>3 PLACES</td><td>± ---</td><td>± ---</td></tr> <tr><td>2 PLACES</td><td>± 0.1</td><td>± ---</td></tr> <tr><td>1 PLACE</td><td>± ---</td><td>± ---</td></tr> </tbody> </table> ANGULAR ± 2 ° DRAFT WHERE APPLICABLE MUST REMAIN WITHIN DIMENSIONS		mm	INCH	4 PLACES	± ---	± ---	3 PLACES	± ---	± ---	2 PLACES	± 0.1	± ---	1 PLACE	± ---	± ---	DIMENSION STYLE	SCALE	DESIGN UNITS	THIRD ANGLE PROJECTION
			mm	INCH																	
	4 PLACES		± ---	± ---																	
	3 PLACES		± ---	± ---																	
	2 PLACES		± 0.1	± ---																	
1 PLACE	± ---	± ---																			
	MM ONLY	NTS	METRIC																		
	DRAWN BY: MKAMARAU DATE: 2008/10/14	TITLE: MICRO HDMI, TYPE-D 0.4MM PITCH, 19CKT RECEPTACLE CONNECTOR																			
	CHECKED BY: MKAMARAU DATE: 2008/10/14	MOLEX INCORPORATED																			
	APPROVED BY: MBANAKIS DATE: 2008/10/14	DOCUMENT NO. SD-46765-001	SHEET NO. 4 OF 5																		
		MATERIAL NO. SEE TABLE	THIS DRAWING CONTAINS INFORMATION THAT IS PROPRIETARY TO MOLEX INCORPORATED AND SHOULD NOT BE USED WITHOUT WRITTEN PERMISSION																		



RECOMMENDED PCB LAYOUT
COMPONENT SIDE OF BOARD
SHEET 2 OF 5



RECOMMENDED PCB LAYOUT
COMPONENT SIDE OF BOARD
SHEET 3 OF 5

RELEASED EC NO: S2010-0287 DRWN: KSSHANTHA 2009/10/05 CHKD: JESSIECHUA 2009/10/05 APPR: NAGESHKIN 2009/10/06	DESCRIPTION A3	QUALITY SYMBOLS	GENERAL TOLERANCES (UNLESS SPECIFIED)		DIMENSION STYLE MM ONLY		SCALE NTS	DESIGN UNITS METRIC	THIRD ANGLE PROJECTION		
		$\nabla=0$ $\square=0$	mm	INCH	DRAWN BY MKAMARAU	DATE 2008/10/14	TITLE MICRO HDMI, TYPE-D 0.4MM PITCH, 19CKT RECEPTACLE CONNECTOR				
		4 PLACES	± ---	± ---	CHECKED BY MKAMARAU	DATE 2008/10/14	MOLEX INCORPORATED				
		3 PLACES	± ---	± ---	APPROVED BY MBANAKIS	DATE 2008/10/14	DOCUMENT NO. SD-46765-001				
		2 PLACES	± 0.1	± ---	MATERIAL NO. SEE TABLE		SHEET NO. 5 OF 5				
1 PLACE	± ---	± ---	ANGULAR ± 2 °		THIS DRAWING CONTAINS INFORMATION THAT IS PROPRIETARY TO MOLEX INCORPORATED AND SHOULD NOT BE USED WITHOUT WRITTEN PERMISSION						
DRAFT WHERE APPLICABLE MUST REMAIN WITHIN DIMENSIONS											