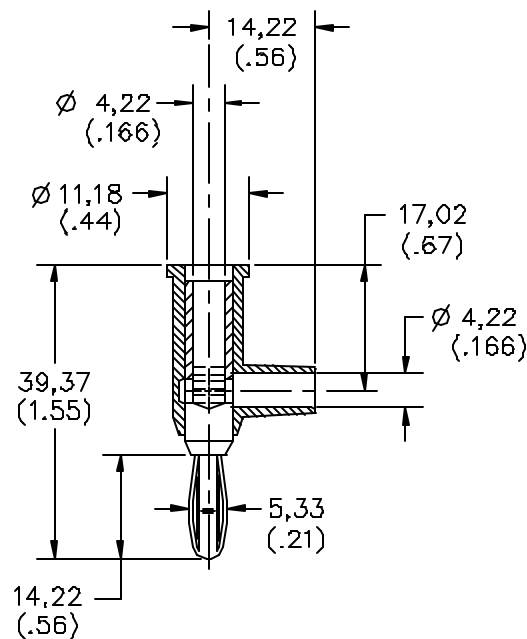


Model 1825, 4897 & 4899 Do-It-Yourself Solderless Stackup Banana Plug With Safety Collar



FEATURES:

- Easy solderless wire attachment by means of an internal set screw.
- Compatible with 18 to 22 AWG wire.
- Integral safety collar insulates wire conductor and offers wire strain relief.
- Banana Plug/Jack springs are beryllium copper for long insertion life.
- Vertical stackup feature offers test versatility.

MATERIALS:

Banana Jack: Beryllium Copper, Gold Plated

Banana Plug: Body – Brass, Nickel Plated (Model 4897 Gold Plated)

Spring – Beryllium Copper, Nickel Plated (Model 4897 Gold Plated)

Insulation: ABS (Model 4899 Polyphenylene Sulfide), Marking “POMONA ELECTRONICS” & Part Number

Set Screw (8-32 Single Slot): Steel, Zinc Plated

RATINGS:

Operating Voltage: Hand-held Testing: 30VAC/60VDC Max.

Hand Free Testing in controlled Voltage Environment: 5000 WVDC.

Current: 15 Amperes Max.

Operating Temperature: +50°C (+122°F), Model 4899 +150°C (+302°F)

ORDERING INFORMATION: Models 1825-* & 4897-*

* = Color: -0 Black, -1 Brown, -2 Red, -3 Orange, -4 Yellow, -5 Green, -6 Blue, -7 Violet, -8 Gray, -9 White
4899 -*

* = Color, Standard Colors: -0 Black, -6 Blue

All dimensions are in inches. Tolerances (except noted): .xx = ±.02" (.51 mm), .xxx = ±.005" (.127 mm).

All specifications are to the latest revisions. Specifications are subject to change without notice.

Registered trademarks are the property of their respective companies. Made in USA