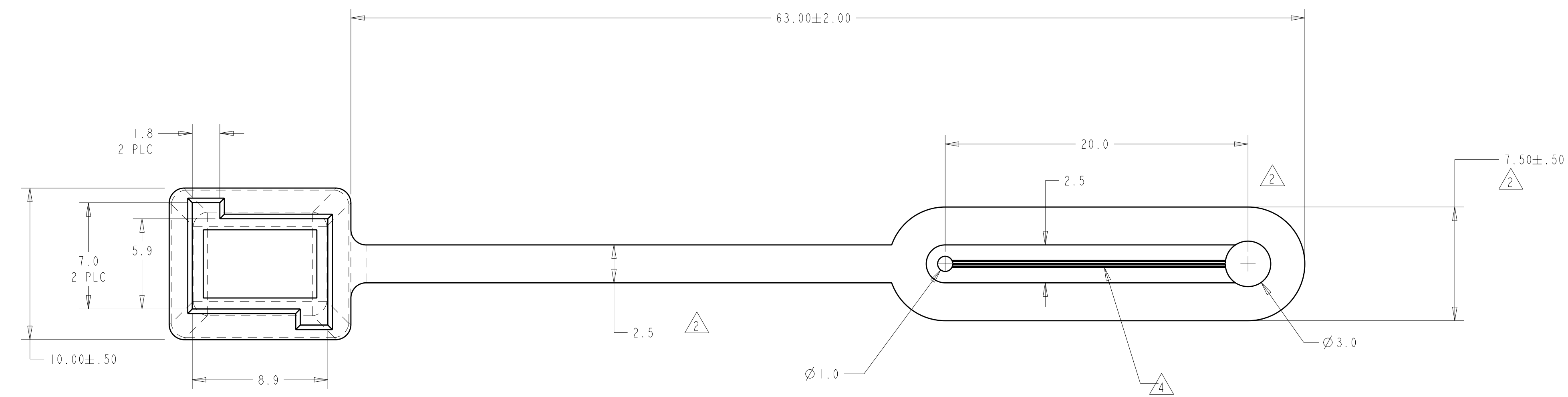
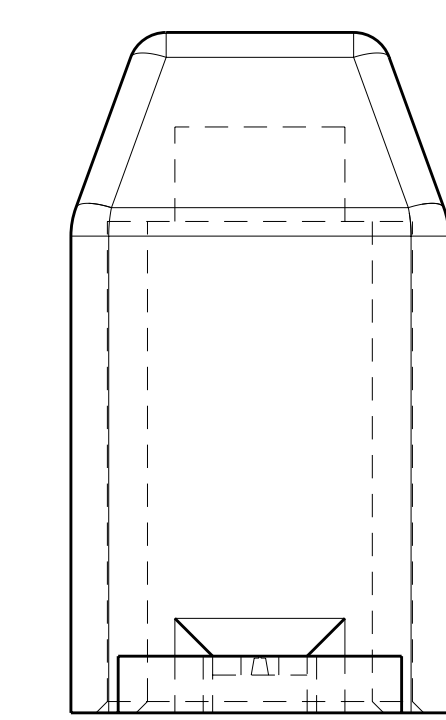
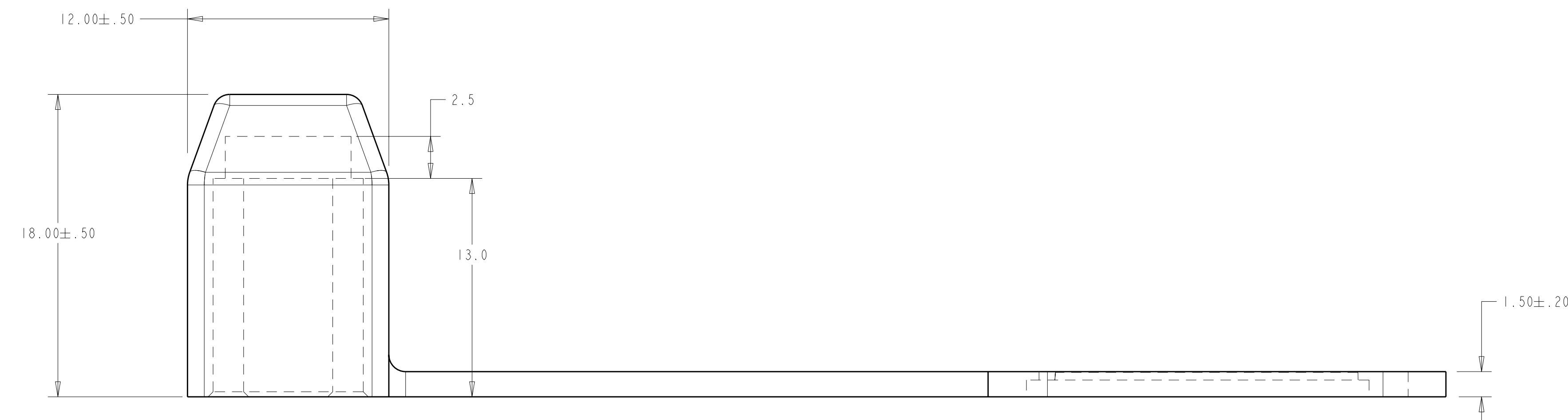


LOC	DIST	REVISIONS			
		REV	DATE	BY	CHK
CE	16	B	17JUL99	SH	LB
		BI	22DEC09	WK	AEF



- 1 MATERIAL: THERMOPLASTIC ELASTOMER
- 2 492577-1, -5, -9, -13 HAS NO STRAP. DIMENSIONS APPLY TO -2, -6, -10, -14 ONLY.
- 3 BULK PACKAGE 25 PCS.
- 4 SLOT TO OPEN UP TO FIT OVER MPX CONNECTOR
- 5. RETENTION FORCE WHEN MATED= 1/2 LB MIN
- 6 OBSOLETE PARTS: OBSOLETE CIS STREAMLINING PER D.RENAUD/D.SINISI

OBsolete	COLOR	STRAP	PART NUMBER
	RED	YES	1-492577-4
	RED	NO 2	1-492577-3
	BLUE	YES	1-492577-0
	BLUE	NO 2	492577-9
	GREEN	YES	492577-6
	GREEN	NO 2	492577-5
3	BLACK	YES	492577-2
3	BLACK	NO 2	492577-1
	COLOR	STRAP	PART NUMBER

DIMENSIONS: mm [INCHES] TOLERANCES UNLESS OTHERWISE SPECIFIED: 9 PLC ±.5 1 PLC ±.13 2 PLC ±.13 3 PLC ±.0001 4 PLC ±0.0001 ANGLES ±.1		DWN S. HILKER 17JUL99 CHK L. BARKUS 17JUL99 APVD M. MONROE 17JUL99	Tyco Electronics Harrisburg, PA 17105-3608
MATERIAL: - FINISH: -		PRODUCT SPEC: - APPLICATION SPEC: - WEIGHT: -	NAME: DUST COVER, MPX PLUG SIZE: A1 CAGE CODE: 00779 DRAWING NO: C=492577 RESTRICTED TO: -
CUSTOMER DRAWING		SCALE: 5:1 SHEET: 1 OF 1 REV: B1	