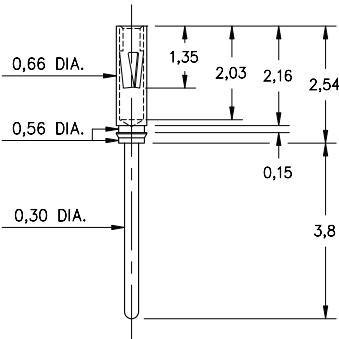
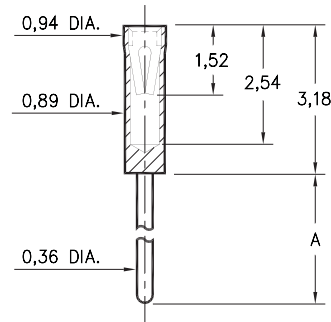


## 8210



**8210-0-15-15-04-27-04-0**  
 Press-fit in 0,61/0,68 stepped hole

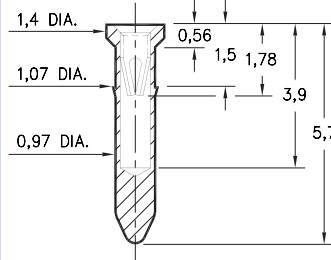
## 0464



Basic Part Number	Length A
0464-0	3,18
0464-1	6,35

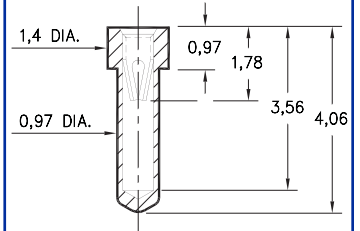
**0464-X-15-XX-10-XX-04-0**  
 Solder mount in 0,41 min. mounting hole

## 9225



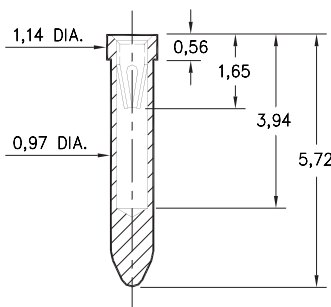
**9225-0-15-XX-10-XX-10-0**  
 Press-fit in 1,0 mounting hole

## 0529



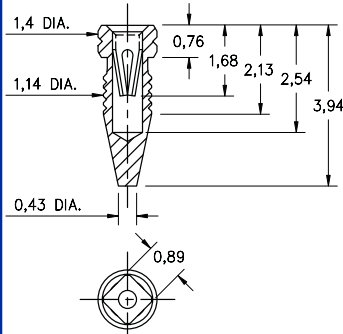
**0529-0-15-XX-10-XX-10-0**  
 Solder mount in 1,02 min. mounting hole

## 8947



**8947-0-15-XX-10-XX-10-0**  
 Solder mount in 1,02 min. mounting hole

## 4993



**4993-0-15-15-10-27-40-0**  
 Compliant press-fit in 1,04 - 1,12 Dia. mounting hole

### SPECIFICATIONS

**SHELL MATERIAL:**  
 Brass Alloy 360, 1/2 Hard

**CONTACT MATERIAL:**  
 Beryllium Copper Alloy 172, HT

**DIMENSION IN INCHES**  
**TOLERANCES ON:**  
 LENGTHS: ±0,13  
 DIAMETERS: ±0,05  
 ANGLES: ± 2°

**ORDER CODE: XXXX - X - XX - XX - XX - XX - XX - 0**

**BASIC PART #**

**SPECIFY SHELL FINISH:**

- 01 5,08µm TIN/LEAD OVER NICKEL
- ◇ 80 5,08µm TIN OVER NICKEL (RoHS)
- ◇ 15 0,25µm GOLD OVER NICKEL (RoHS)

**SPECIFY CONTACT FINISH:**

- 02 2,54µm TIN/LEAD OVER NICKEL
- ◇ 84 2,54µm TIN OVER NICKEL (RoHS)
- ◇ 27 0,76µm GOLD OVER NICKEL (RoHS)

**SELECT CONTACT**

**#04 or #10 CONTACT (DATA ON PAGE 216)**  
 (CONTACTS #04 & #10 NOT INTERCHANGEABLE)

