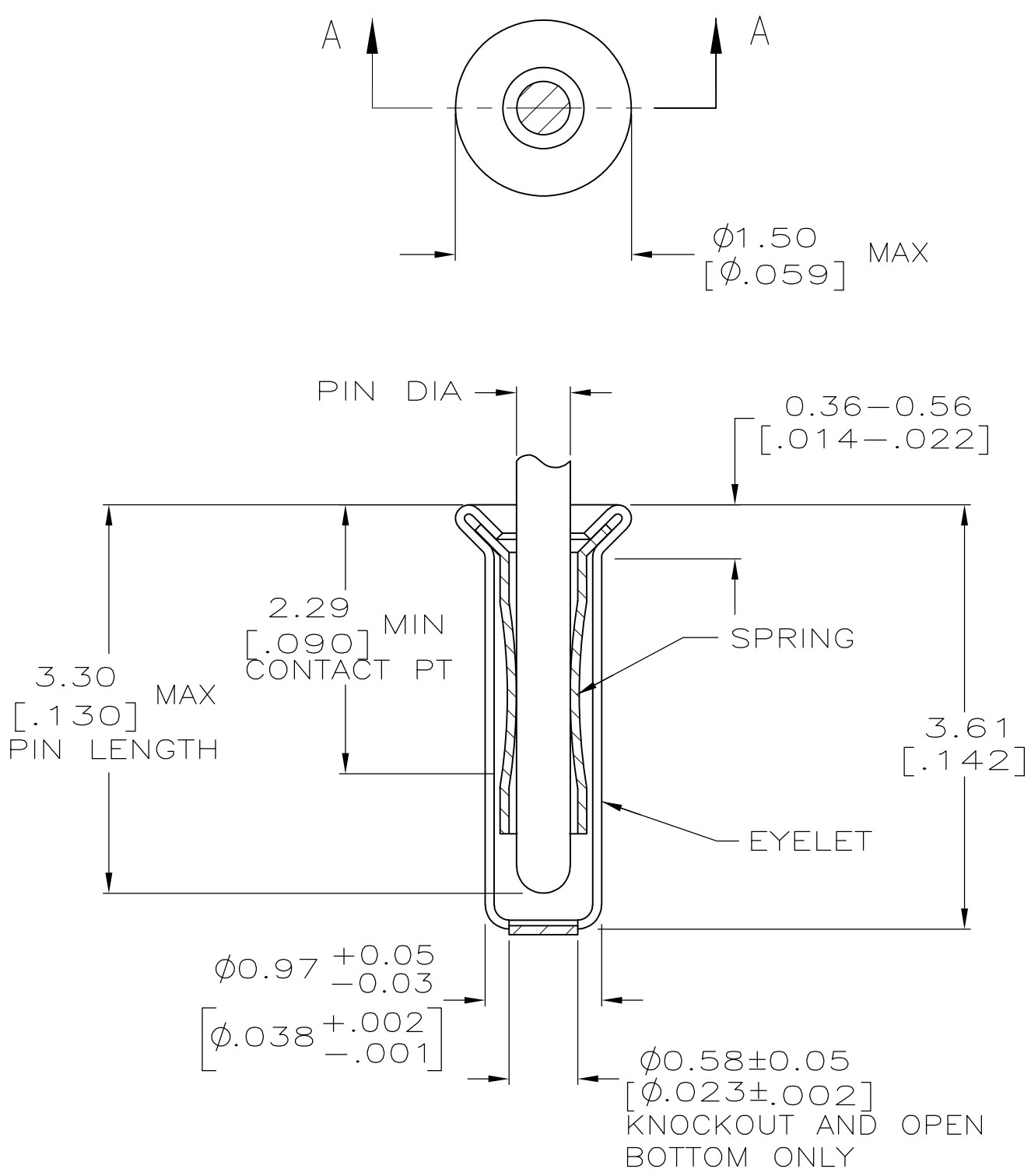


THIS DRAWING IS UNPUBLISHED. RELEASED FOR PUBLICATION
 © COPYRIGHT BY TYCO ELECTRONICS CORPORATION. ALL RIGHTS RESERVED.

LOC	DIST	REVISIONS					
FT	64	P	LTR	DESCRIPTION	DATE	DWN	APVD
			01	REVISED PER ECO-05-013685	14FEB06	JDP	JGH
			02	REVISED PER ECO-10-000444	16JAN10	KK	AEG

- 1. TIN PLATE PER ASTM B 545 .000254 [.000100] MIN THICK.
- 2. GOLD PLATE PER ASTM B 488, 0.00076 [.000030] MIN THICK OVER NICKEL PLATE PER QQ-N-290 0.00028 [.000011] MIN THICK ON CONTACT AREA.
- 3. RECOMMENDED HOLE SIZE, PLATED OR UNPLATED:
 MACHINE INSERTION: 1.04±0.05 [.041±.002]
 HAND INSERTION: 1.02 ^{+0.10}/_{-0.00} [.040 ^{+0.004}/_{-0.000}]
- 4. APPLICATION TOOL PART NUMBER:
 MACHINE NO. 682127-2
 INSERTION HEAD NO. 682039-1
- 5. TO INSURE PROPER SPRING TENSION DO NOT EXCEED A 0.10 [.004] DIFFERENCE IN PIN DIA WHEN CHANGING TO A SMALLER PIN.
- 6. BOTTOM PLUG KNOCKOUT TOOL PART NUMBER 69729 WITH TIP PART NUMBER 69728.
- 7. MATERIAL:
 SPRING: BERYLLIUM COPPER PER ASTM B 194
 EYELET: COPPER PER ASTM B 152
- 8. OBSOLETE PARTS: OBSOLETE CIS STREAMLINING PER D.RENAUD/D.SINISI



SECTION A-A

SUPERSEDED BY 5-5330808-4

8 OBSOLETE	OPEN	0.46-0.51 [.018-.020]	TIN 1	GOLD 2	6-5330808-9
	CLOSED	0.33-0.51 [.013-.020]			6-5330808-5
	OPEN	0.25-0.33 [.010-.013]			5-5330808-6
	KNOCKOUT	0.33-0.51 [.013-.020]			5-5330808-4
	CLOSED	0.25-0.33 [.010-.013]		TIN 1	5-5330808-3
8 OBSOLETE	OPEN	0.33-0.51 [.013-.020]			5-5330808-0
	CLOSED	0.33-0.51 [.013-.020]			4-5330808-7
	BOTTOM TYPE	RECOMMENDED PIN DIA 5	EYELET	SPRING	2-5330808-7
			FINISH		PART NO

THIS DRAWING IS A CONTROLLED DOCUMENT.		DWN 20APR2005 A. FERNANDEZ-DOCK5	Tyco Electronics Corporation Harrisburg, PA 17105-3608	
DIMENSIONS: INCHES		CHK 20APR2005 J. HAVENER	NAME	
TOLERANCES UNLESS OTHERWISE SPECIFIED:		APVD 20APR2005 J. HAVENER	PRODUCT SPEC	
0 PLC ± -		108-14008		
1 PLC ± -		APPLICATION SPEC		
2 PLC ± -		114-13152		
3 PLC ± 0.20 [.008]		SIZE	CAGE CODE	DRAWING NO
4 PLC ± -		WEIGHT	A2 00779	C=5330808
ANGLES ± -		CUSTOMER DRAWING		
FINISH		SCALE	SHEET	REV
SEE TABLE		20:1	1 of 1	02

5330808