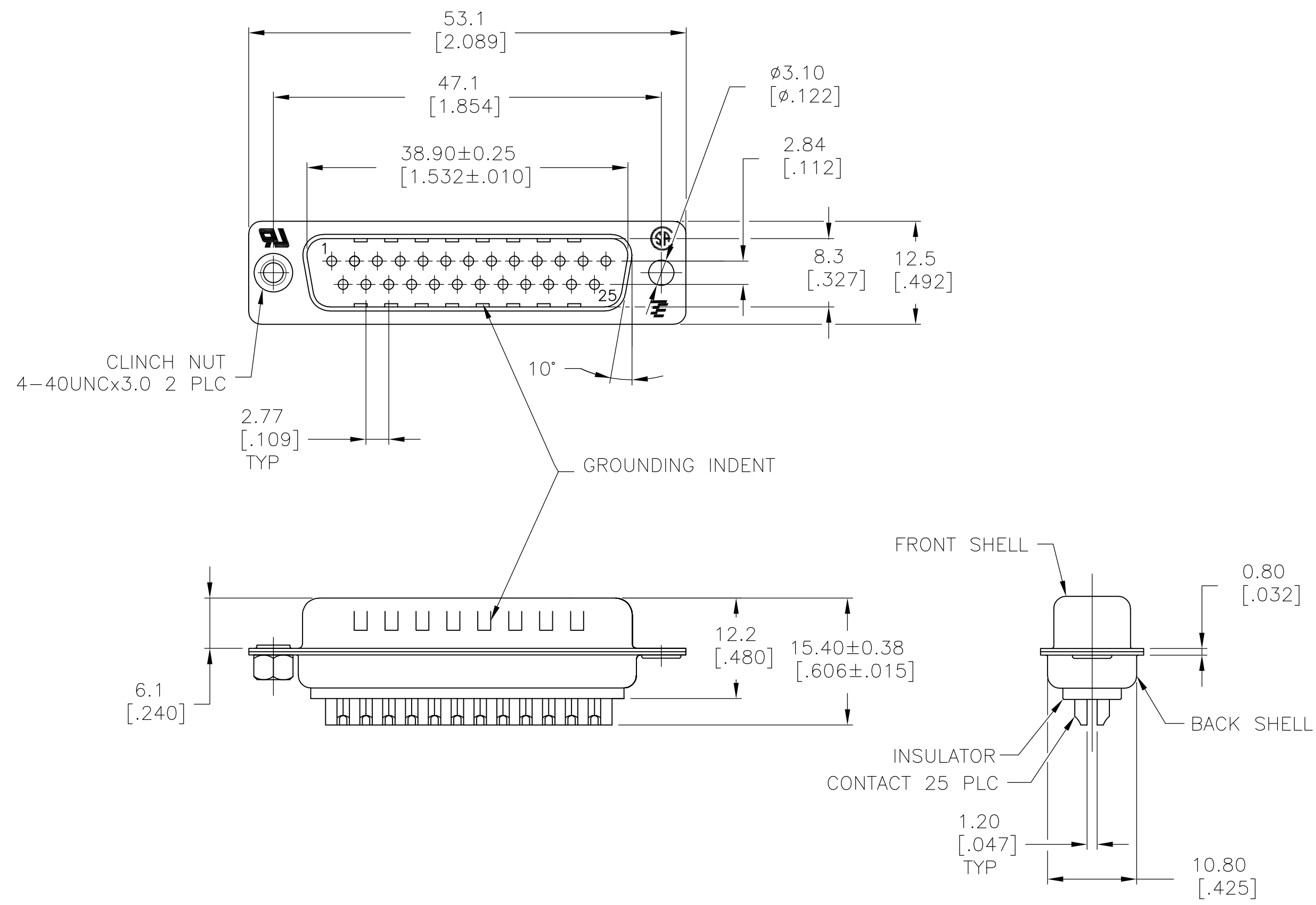


THIS DRAWING IS UNPUBLISHED. RELEASED FOR PUBLICATION
 © COPYRIGHT BY TYCO ELECTRONICS CORPORATION. ALL RIGHTS RESERVED.

LOC		DIST		REVISIONS			
P	LTR	DESCRIPTION		DATE	DWN	APVD	
	T2	REVISED PER ECO-10-004595		05MAR10	HMR	JO	



- 1 MATERIAL:
 FRONT INSULATOR: PBT, 30 %GF, UL94V-0, BLACK COLOR
 BACK INSULATOR: PBT, 30 %GF, UL94V-0, BLACK COLOR
 CONTACT: BRASS
 FRONT SHELL: STEEL
 BACK SHELL: STEEL
 CLINCH NUTS: BRASS
- 2 FINISH:
 CONTACT: GOLD PLATING 0.00002[.000008] MIN ON CONTACT AREA 0.00229 [.000090] MIN TIN-LEAD PLATING ALL OVER 0.00127[.000050] MIN NICKEL
- 3 CONTACT: GOLD PLATING 0.00076[.000030] MIN ON CONTACT AREA 0.00229 [.000090] MIN TIN-LEAD PLATING ALL OVER 0.00127[.000050] MIN NICKEL
- 4 SHELL: TIN 0.0241[.000095] MIN FULL SHELL
- 5 SHELL: BLUE ZINC: 0.00508[.000200] - 0.00762[.000300] OVER ENTIRE SHELL
- 6 CONTACT: GOLD PLATING 0.00002[.000008] MIN ON CONTACT AREA 0.00229 [.000090] MIN TIN-COPPER PLATING ALL OVER 0.00127[.000050] MIN NICKEL
- 7 CLINCH NUTS: NICKEL PLATING .00305-.00508[.000120-.000200]
- 8 SPECIFICATION
 ELECTRICAL CHARACTERISTICS: CURRENT RATING: 3 AMPERES
 DIELECTRIC WITHSTANDING VOLTAGE: AC 1000V r.m.s
 INSULATION RESISTANCE: 5000 MEGOHMS MINIMUM AT DC 500V
 CONTACT RESISTANCE: 10 MILLIOHMS MAXIMUM.
- 9 ROHS 2002/95/EC COMPLIANT
- 10 PLUG ASSEMBLY MATES WITH ANY 25 POSITION RECEPTACLE IN AMPLIMITE SERIES
 SOLDER CUP WILL ACCOMMODATE 20 MAX AWG WIRE.
- 11 CONTACT: GOLD PLATING 0.00076[.000030] MIN ON CONTACT AREA 0.00229[.000090] MIN TIN-COPPER ALL OVER 0.00127[.000050] MIN NICKEL PLATING

STANDARD	NO	YES	NO	YES	NO	YES
9	NO	NO	NO	NO	NO	NO
9	YES	YES	NO	NO	NO	NO
9	NO	YES	NO	NO	NO	NO
9	NO	YES	NO	NO	NO	NO
9	NO	YES	NO	NO	NO	NO
9	YES	YES	NO	NO	NO	NO
9	NO	YES	NO	NO	NO	NO
9	NO	NO	NO	NO	NO	NO
9	NO	YES	NO	NO	NO	NO

THIS DRAWING IS A CONTROLLED DOCUMENT.

DWN: M.BINNER 03MAR03
 CHK: R.BENDORF 05MAR03
 APVD: R.BENDORF 05MAR03

Tyco Electronics Corporation
 Harrisburg, PA 17105-3608

NAME: PLUG ASSEMBLY, SOLDER CUP, SIZE 3, 25 POSN, HD-20, AMPLIMITE

SIZE: A2 CAGE CODE: 00779 C=747912 DRAWING NO: 17105-3608

RESTRICTED TO: -

MATERIAL: 1 FINISH: SEE TABLE WEIGHT: -

CUSTOMER DRAWING SCALE: 2:1 SHEET: 1 OF 1 REV: T2